

# ***COMPOSITE WALL PANELS***

## *PAC-3000 RS Rain-Screen Details*



**PETERSEN ALUMINUM CORPORATION**

[www.pac-clad.com](http://www.pac-clad.com) / [email: sales@petersenmail.com](mailto:sales@petersenmail.com)

HQ: 1005 Tonne Road  
Elk Grove Village, IL 60007  
P: 800-PAC-CLAD  
F: 800-722-7150

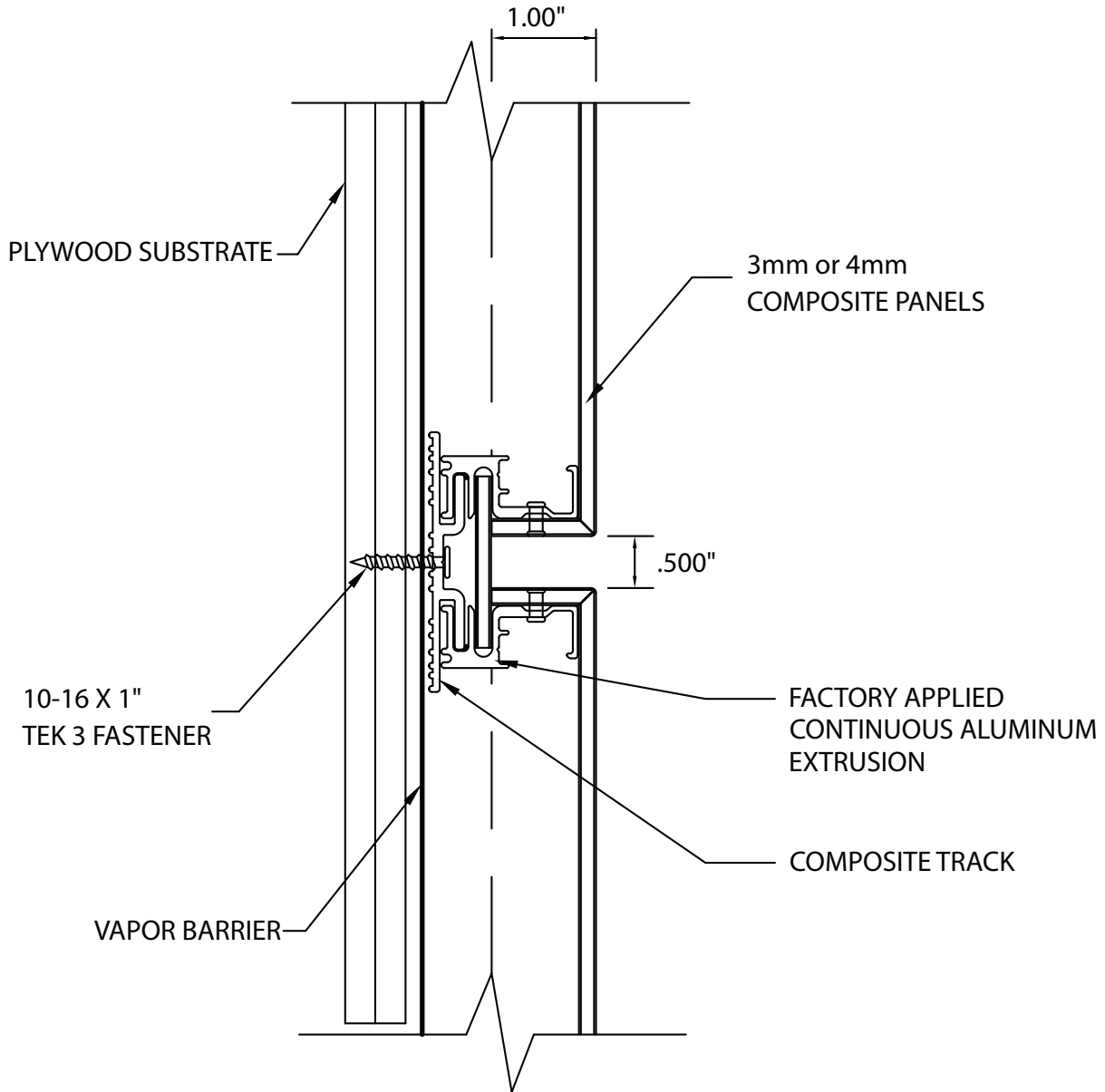
9060 Junction Drive  
Annapolis Junction, MD 20701  
P: 800-344-1400  
F: 301-953-7627

10551 PAC Road  
Tyler, TX 75707  
P: 800-441-8661  
F: 903-581-8592

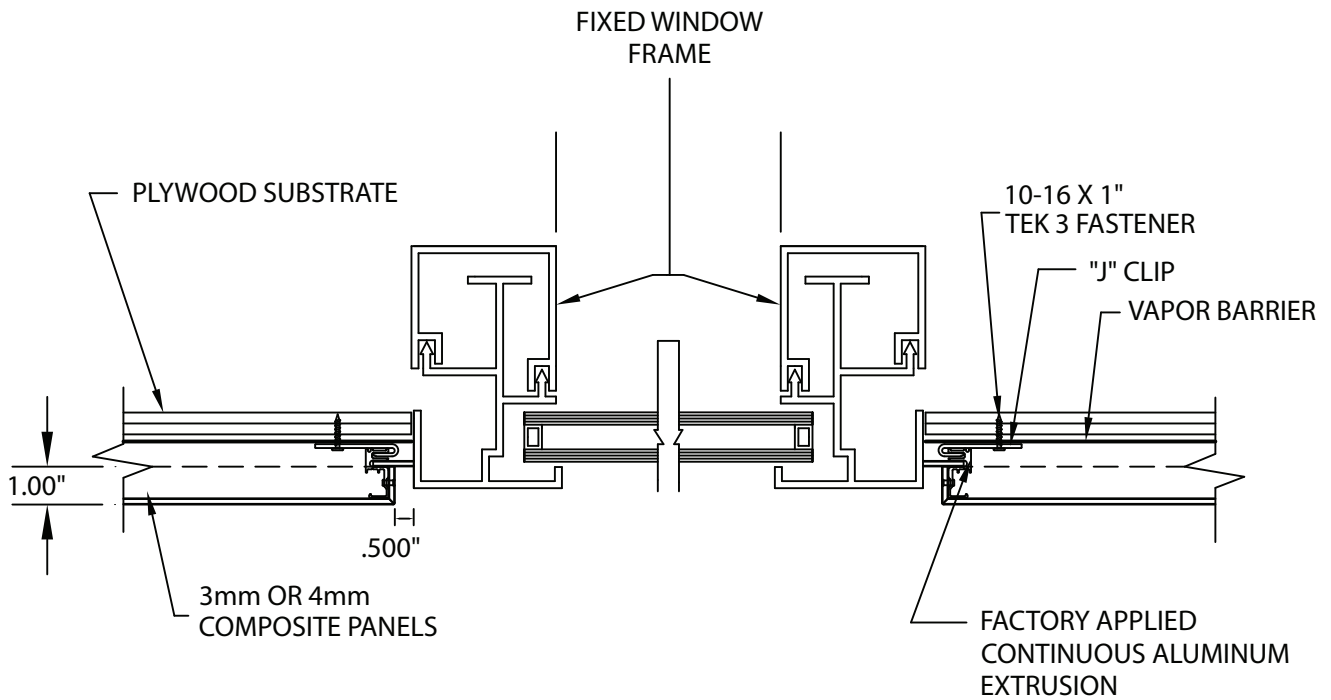
350 73rd Ave., NE, Ste 1  
Fridley, MN 55432  
P: 877-571-2025  
F: 866-901-2935

102 Northpoint Pkwy Ext, Bldg 1, Ste 100  
Acworth, GA 30102  
P: 800-272-4482  
F: 770-420-2533

# Horizontal Joint Detail

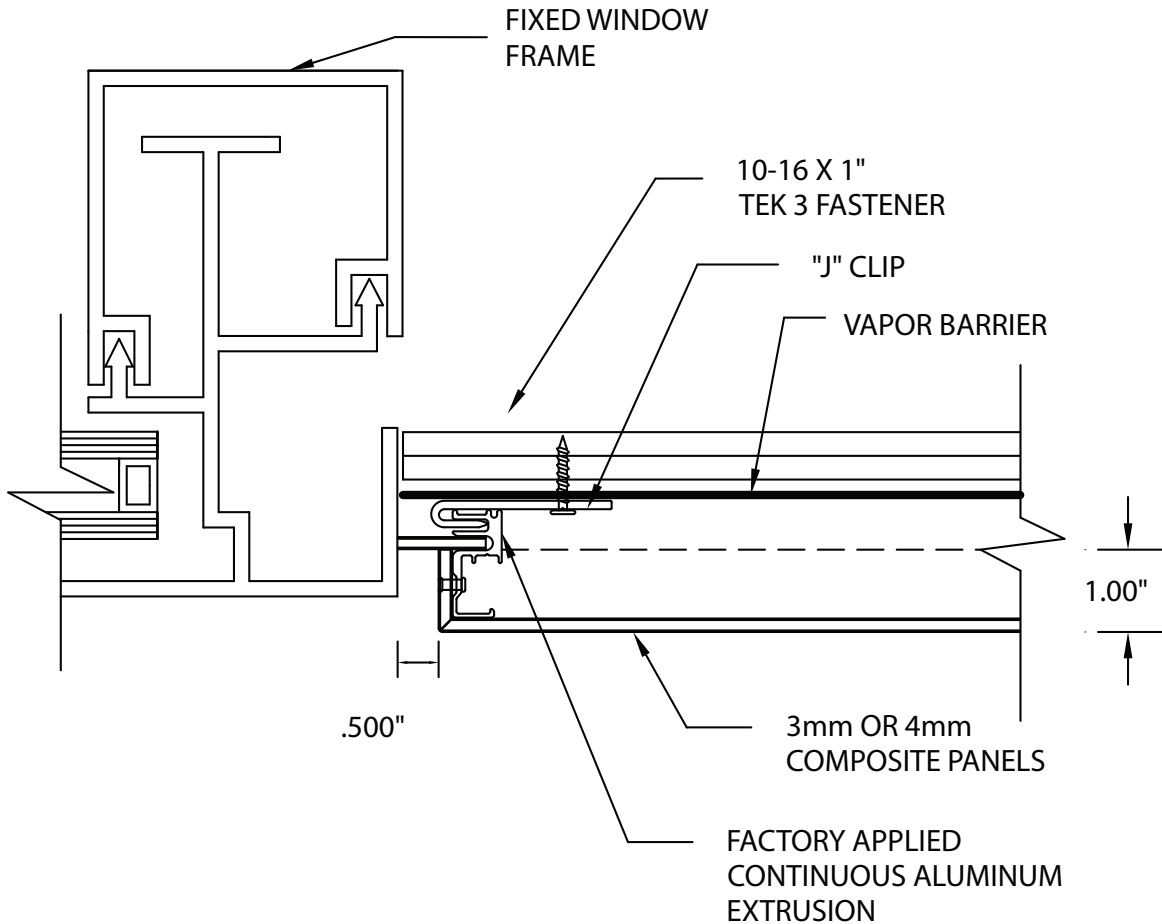


Job Name:	
Date:	
Contractor:	
Notes:	

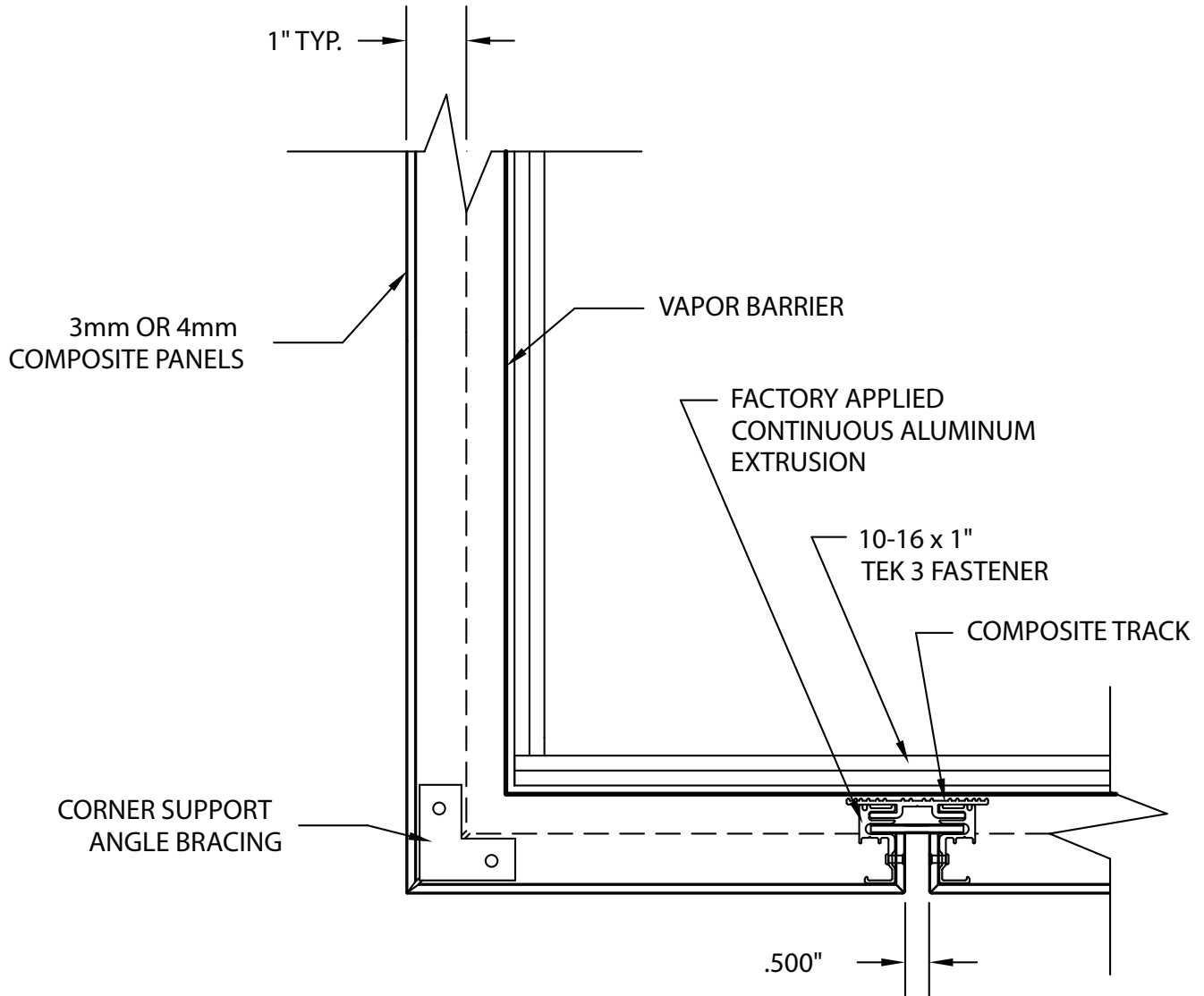


Job Name:	Notes:
Date:	
Contractor:	

# Window Condition

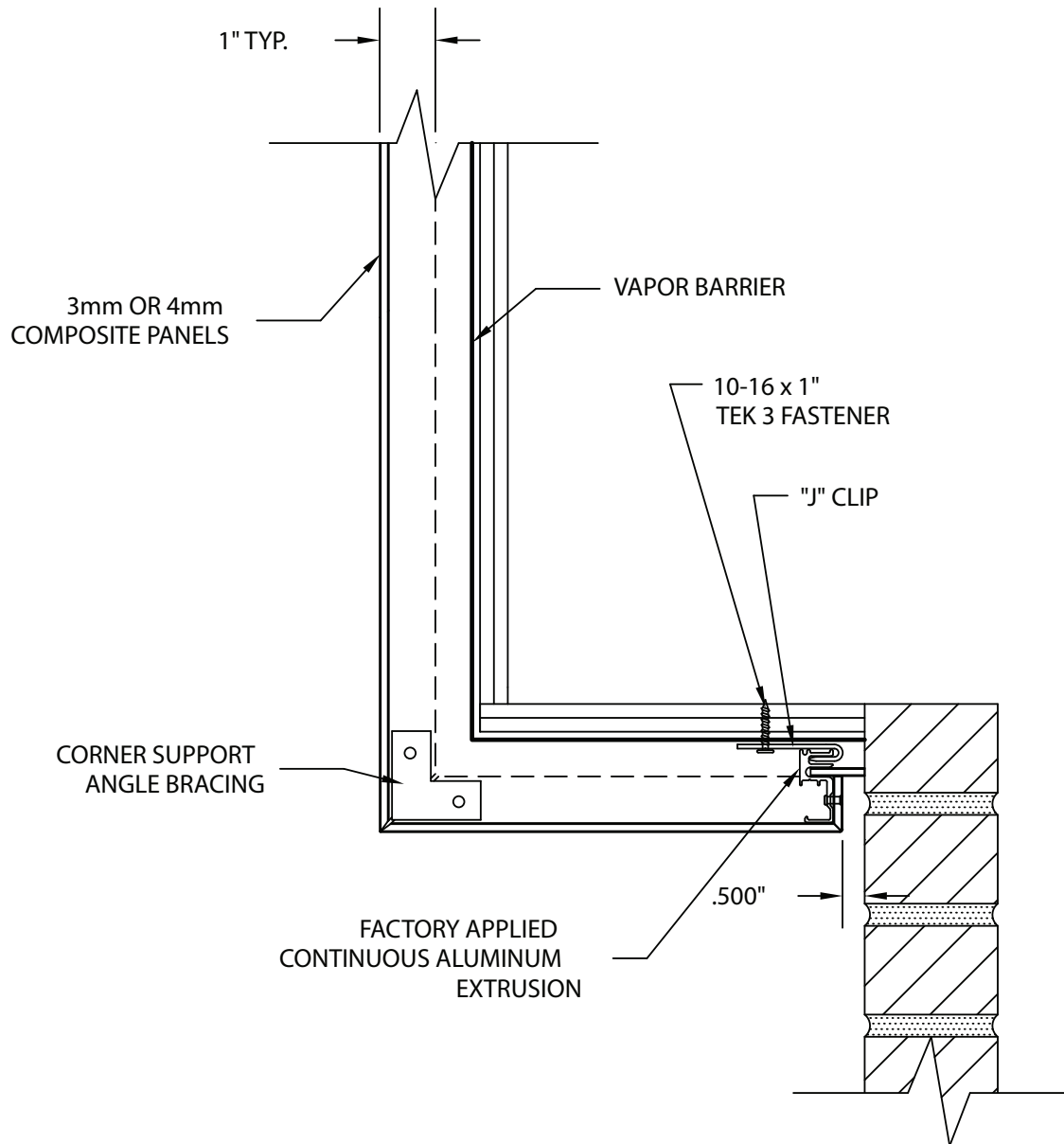


Job Name:	
Date:	
Contractor:	
Notes:	

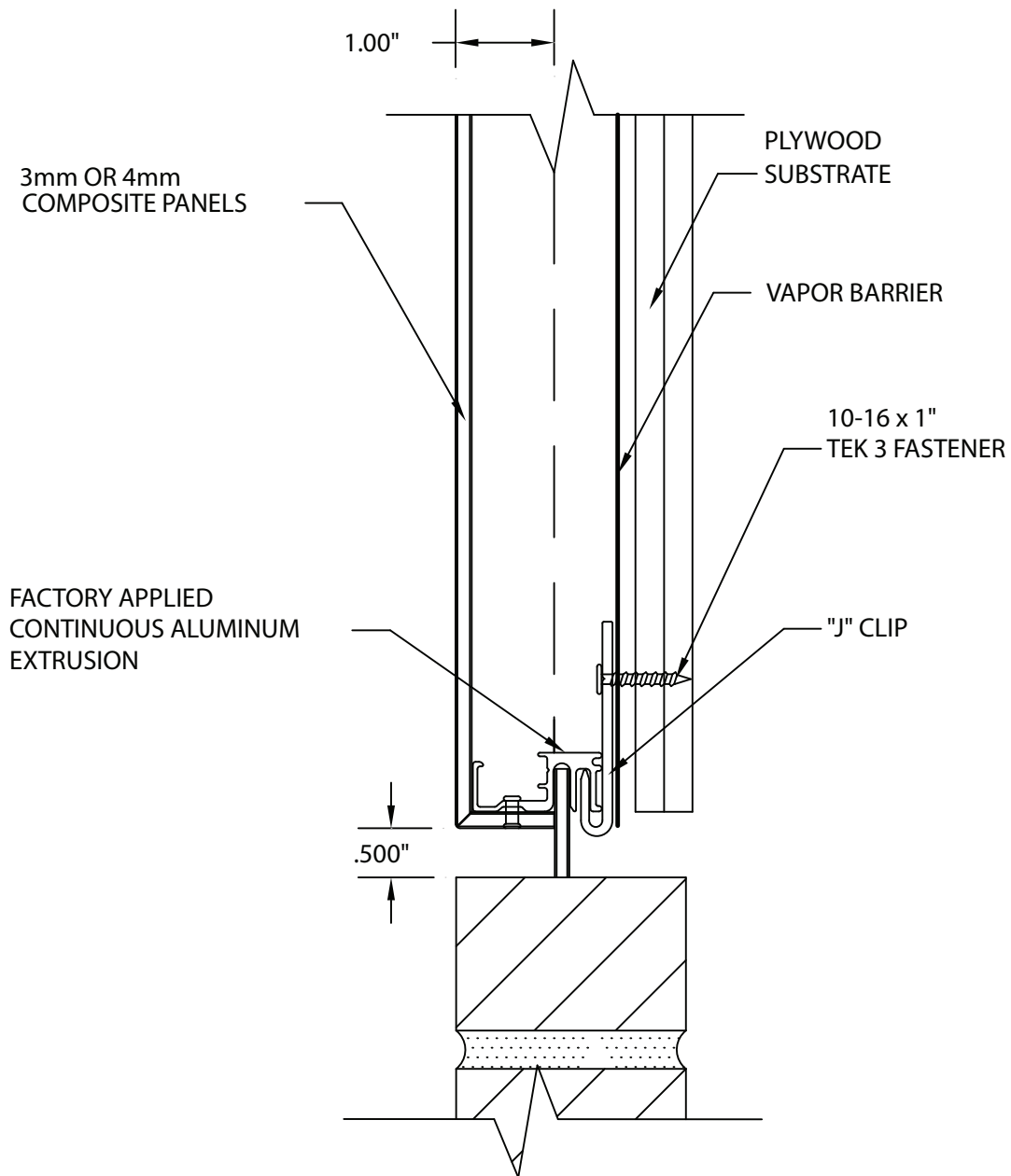


Job Name:	
Date:	
Contractor:	
Notes:	

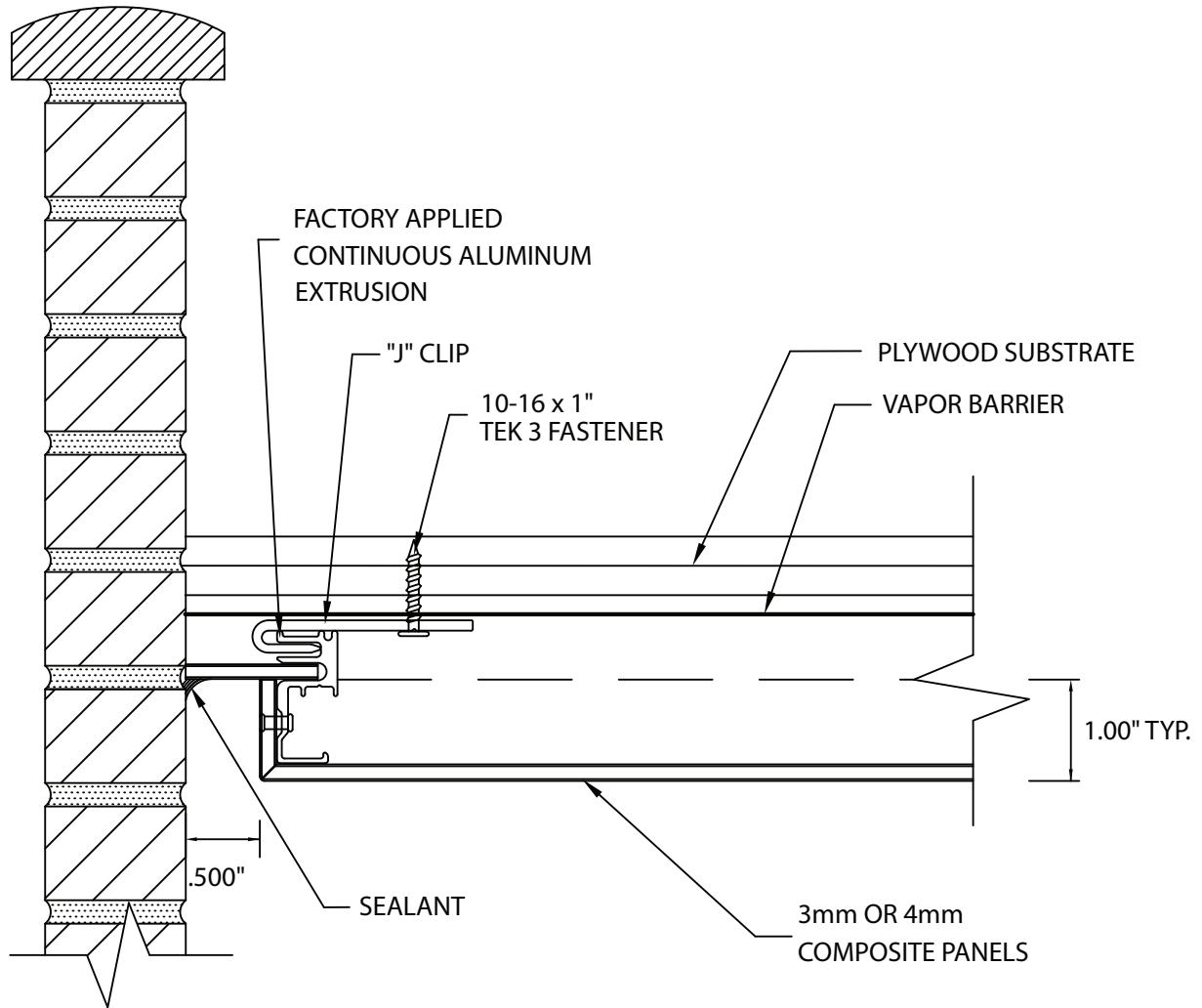
**Soffit Detail (Alternate)**



Job Name:	
Date:	
Contractor:	
Notes:	



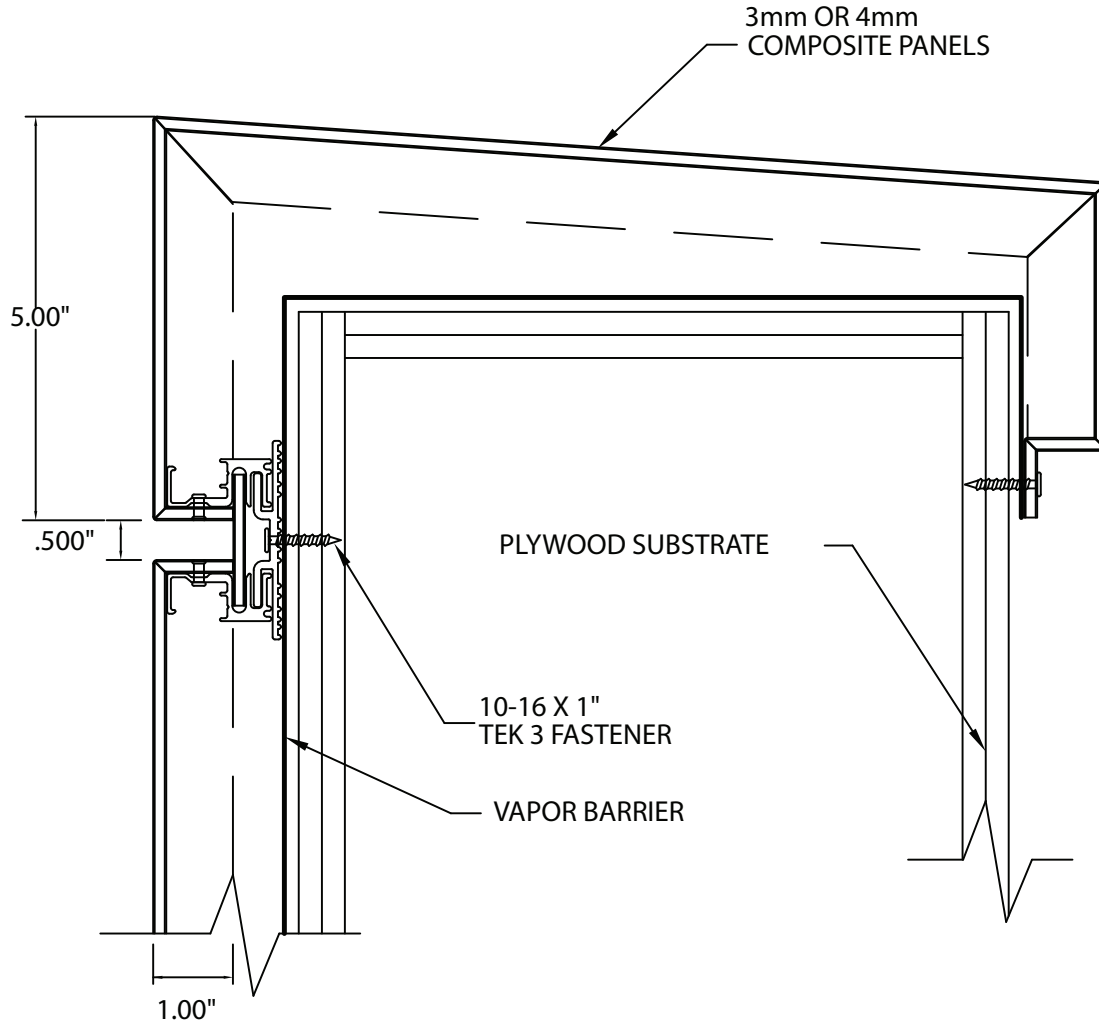
Job Name:	
Date:	
Contractor:	
Notes:	



Job Name:	
Date:	
Contractor:	
Notes:	

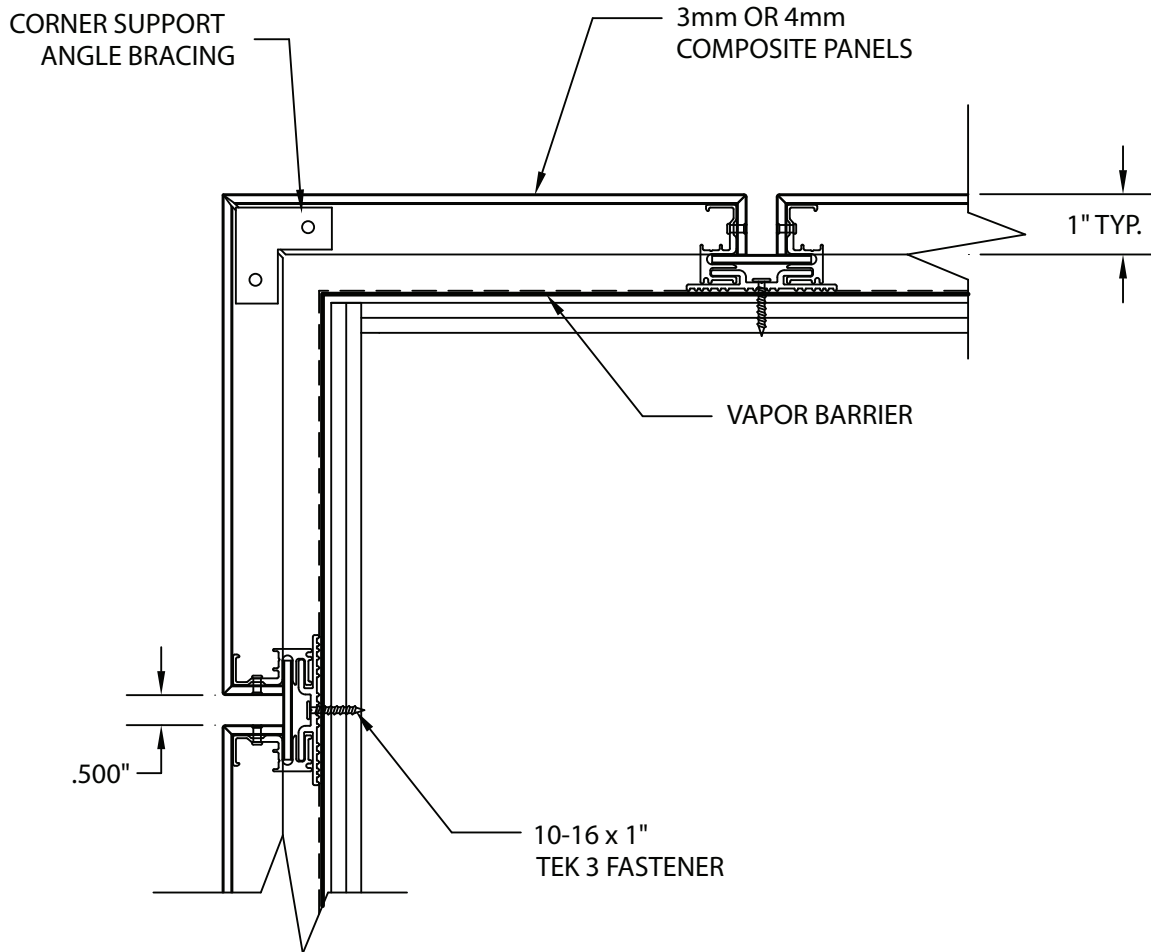


# Parapet Detail



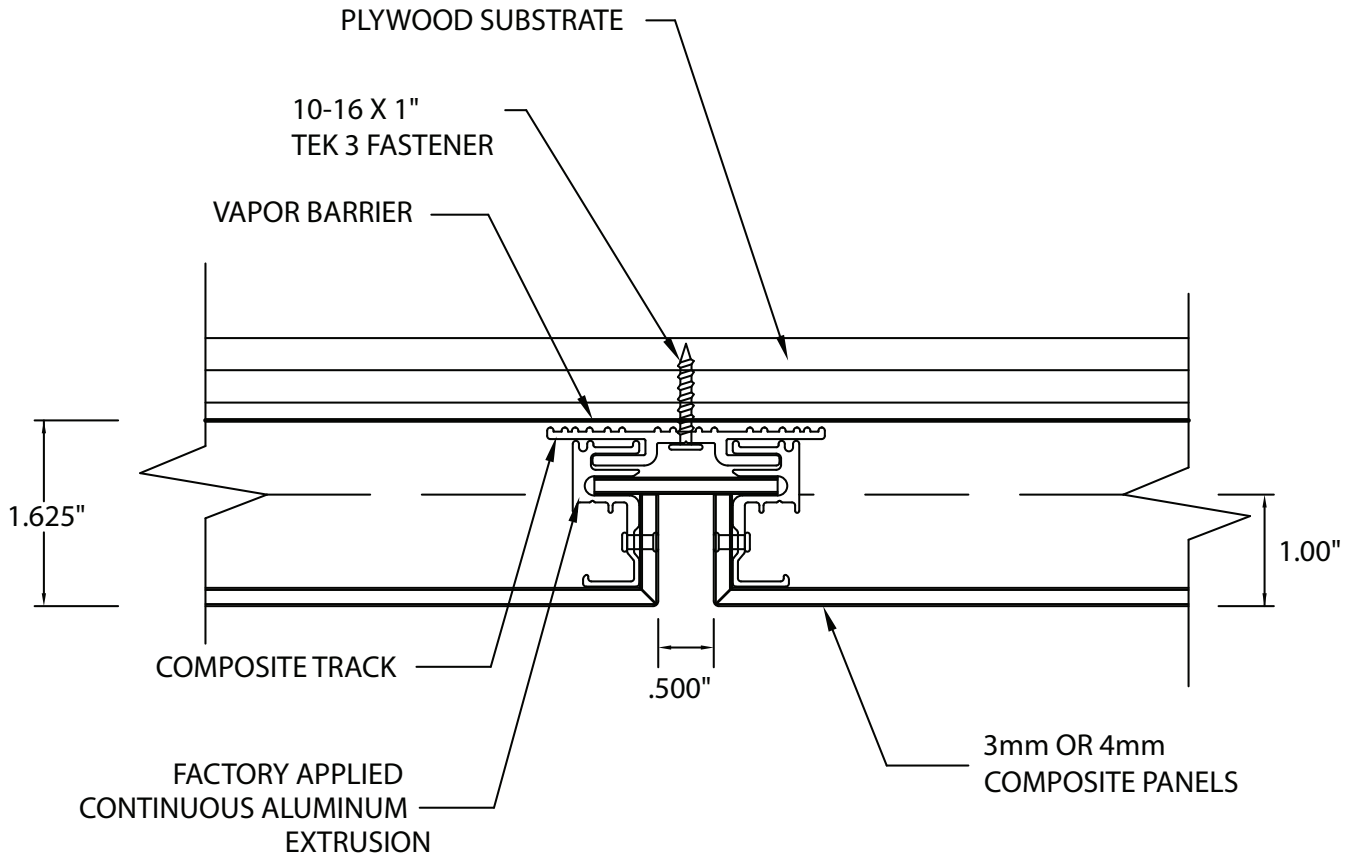
Job Name:	Notes:
Date:	
Contractor:	

# Outside Corner Detail



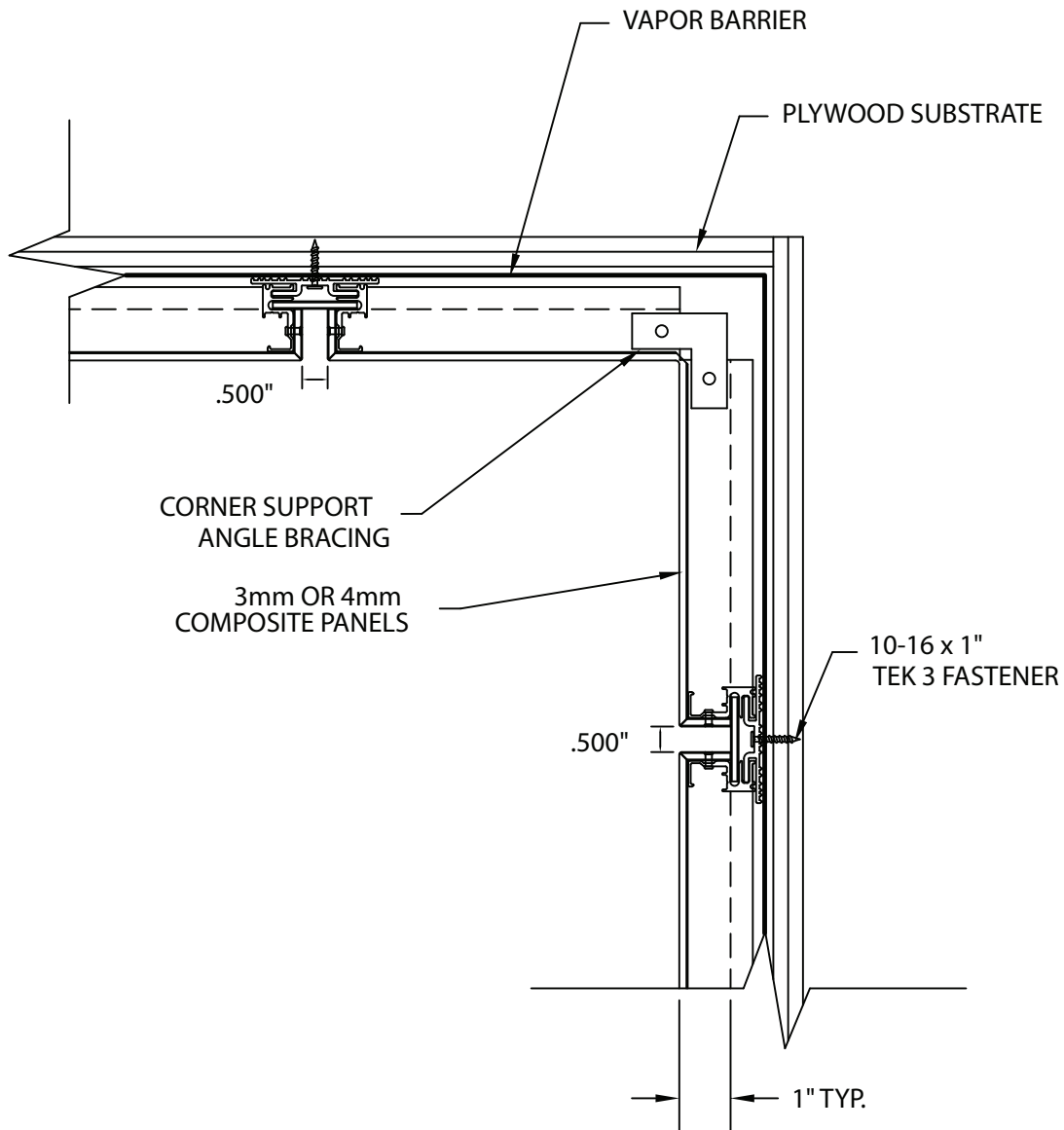
Job Name:	
Date:	
Contractor:	
Notes:	

# Vertical Joint Detail

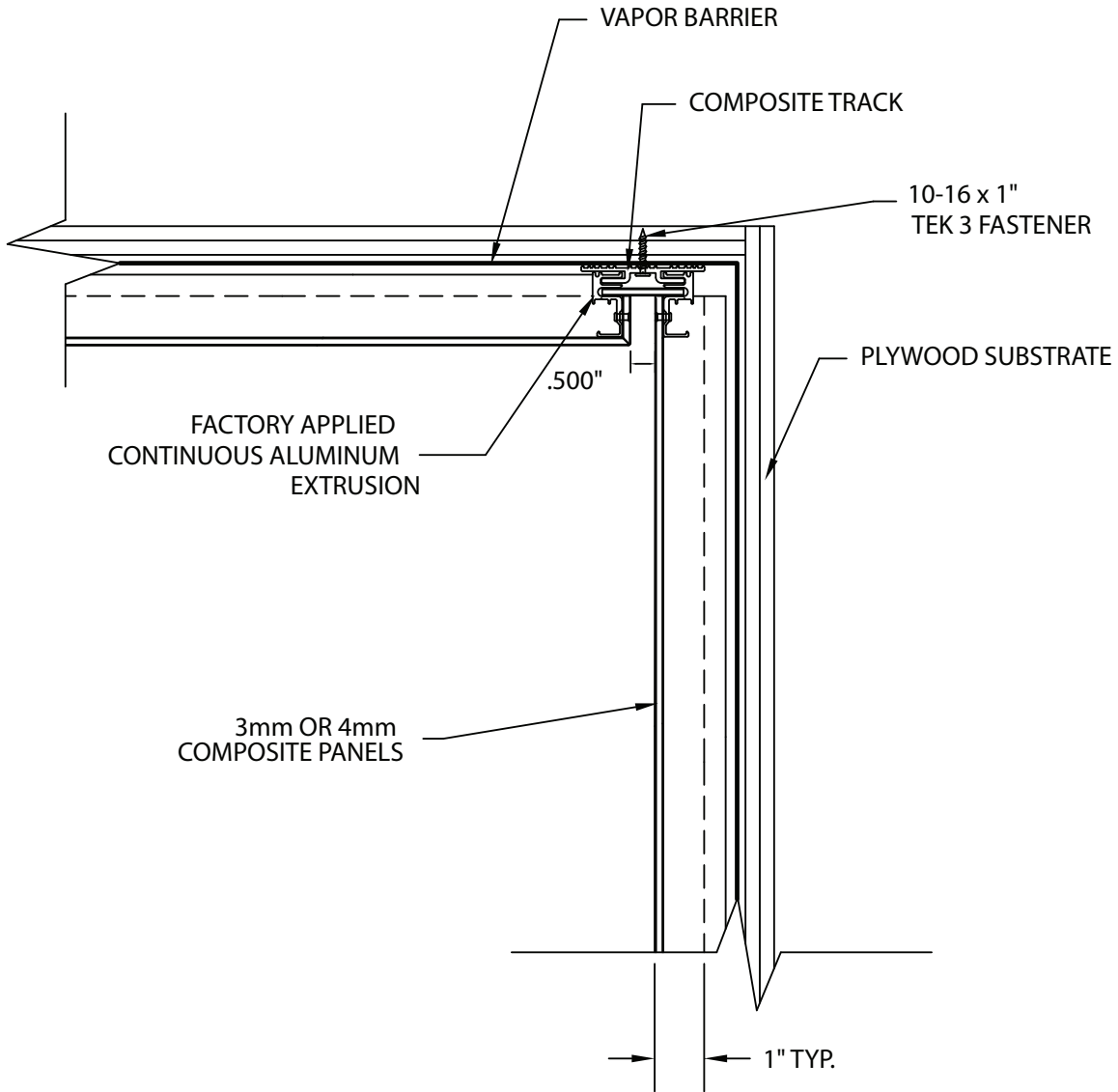


Job Name:	
Date:	
Contractor:	
Notes:	

# Inside Corner Detail



Job Name:	
Date:	
Contractor:	
Notes:	



Job Name:	
Date:	
Contractor:	
Notes:	