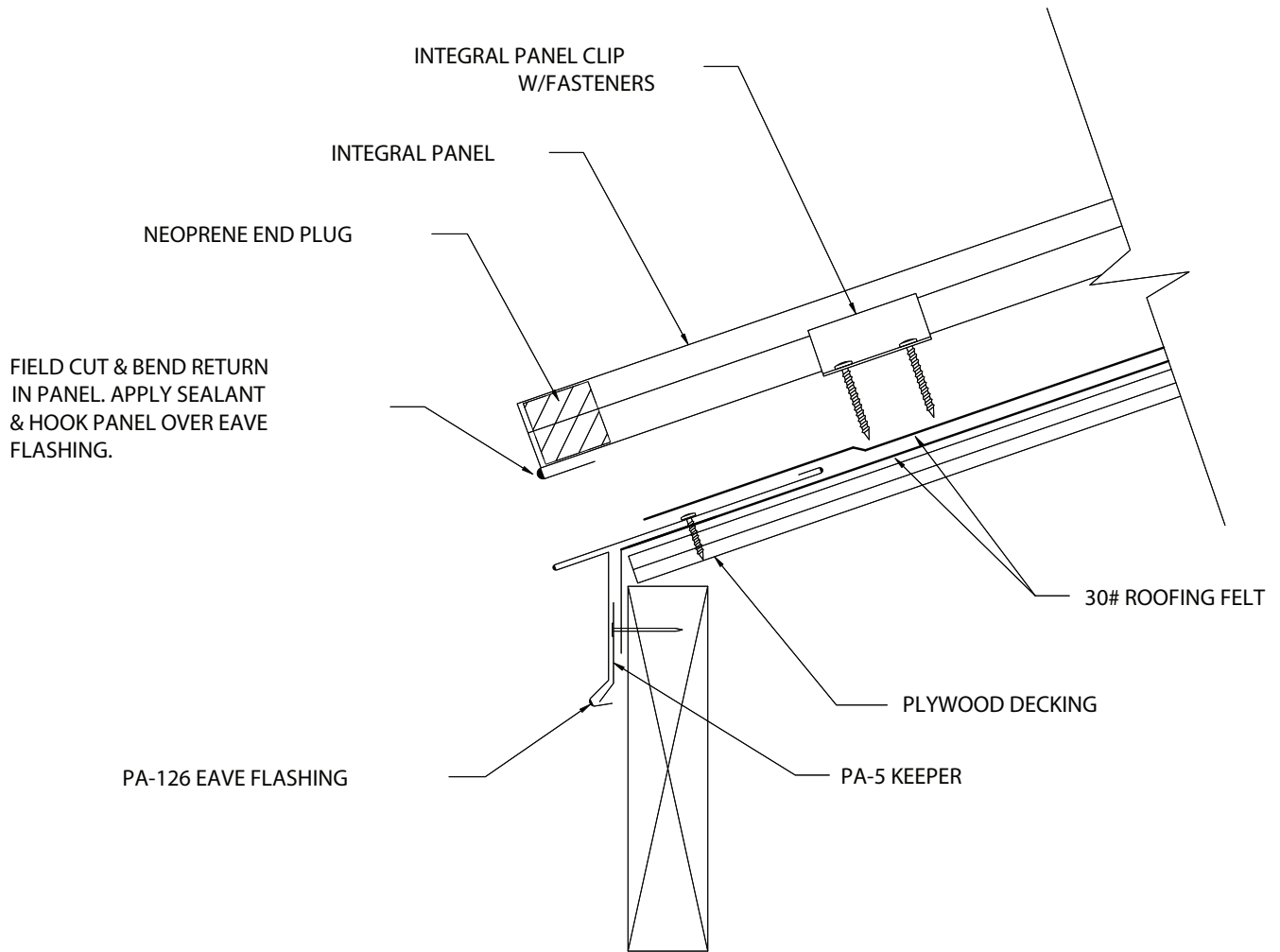
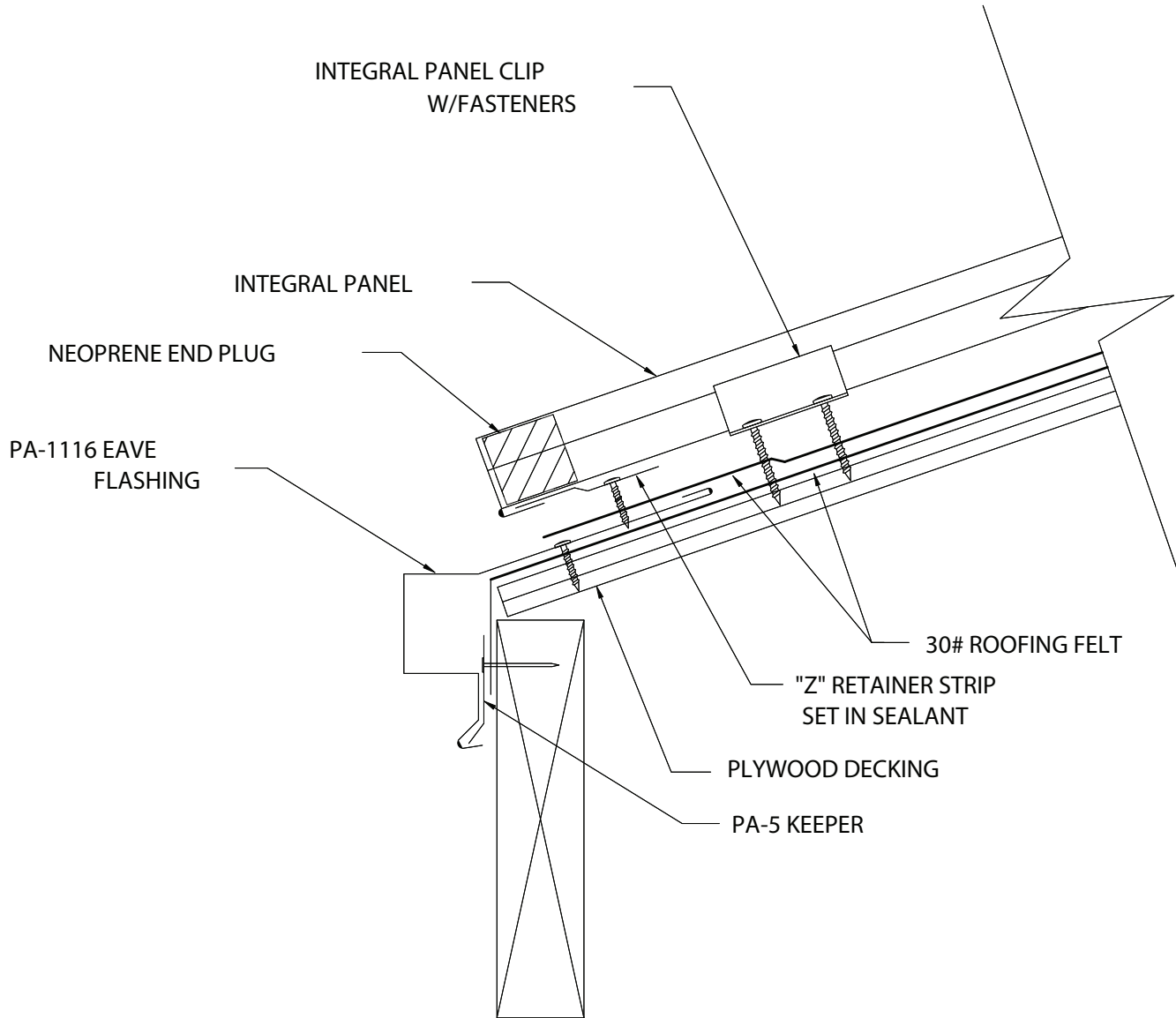


Job Name:	
Date:	
Contractor:	
Notes:	



Job Name:	
Date:	
Contractor:	
Notes:	



Job Name:	
Date:	
Contractor:	
Notes:	