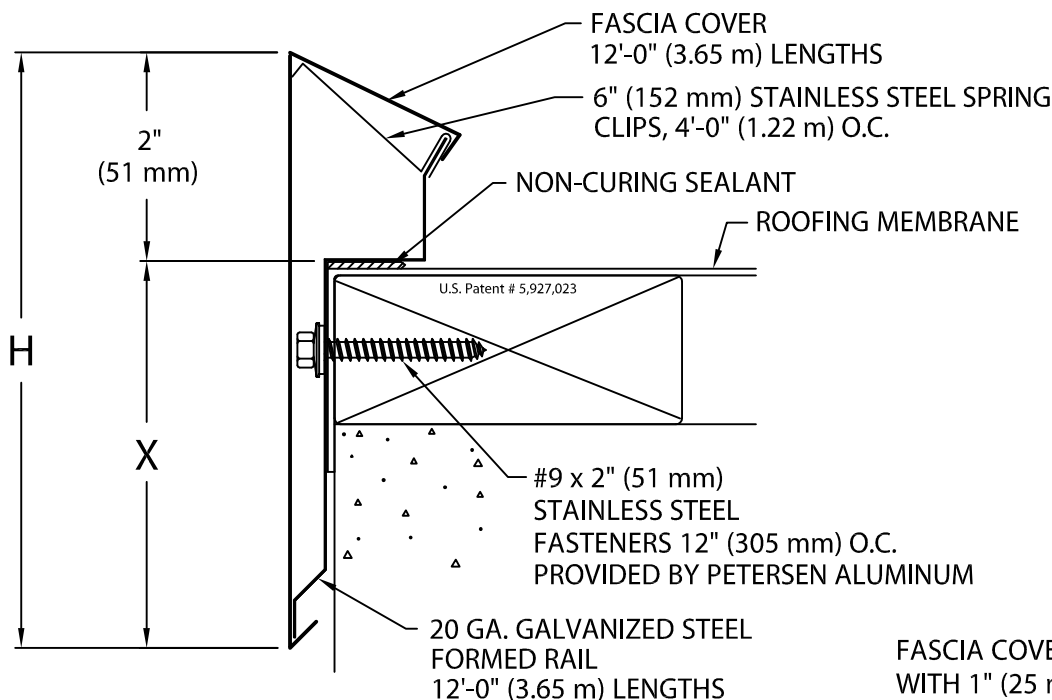


# PAC SNAP EDGE

STONE BALLAST SINGLE-PLY VERSION

ANSI/SPRI ES-1 DESIGN PRESSURE OF 200 psf

24 GA. AND .040" MATERIAL



FASCIA COVER PROVIDED WITH 1" (25 mm) LAP JOINTS

Fascia is to be installed per Specifications and Petersen Aluminum's Installation Instructions Dwg. # 41110-12273

## PAC SNAP EDGE DIMENSIONS

PRODUCT ID. NO.	H DIM	X DIM	NAILER COVERAGE
<input type="checkbox"/> MEB-50	5" (130 mm)	3 7/8" (102 mm)	1 NAILERS
<input type="checkbox"/> MEB-65	6 1/2" (168 mm)	5 3/8" (140 mm)	2 NAILERS
<input type="checkbox"/> MEB-80	8" (206 mm)	6" (152 mm)	3 NAILERS

## MATERIAL:

\_\_\_ 24 Ga. (.65 mm) Galv. Steel  
 \_\_\_ .040" (1.01 mm) Aluminum  
 \_\_\_ OTHER \_\_\_\_\_

Color: \_\_\_\_\_

Finish: \_\_\_\_\_

Fabrication will proceed only after receipt of signed print approval.

## Print Approval:

Architect and/or contractor shall verify all dimensions, sizes and quantities. All products to be installed in strict accordance with Petersen Aluminum's printed instructions.

Approved by: \_\_\_\_\_

Date: \_\_\_\_\_

## QUANTITIES:

\_\_\_\_\_ Lineal Feet 12'-0" (3.65 m) Lengths  
 \_\_\_\_\_ Outside Miters @ (\_\_\_\_°)  
 \_\_\_\_\_ Inside Miters @ (\_\_\_\_°)  
 \_\_\_\_\_ Overflow Scupper Style \_\_\_A\_\_\_B  
 \_\_\_\_\_ Spillout Scupper Style \_\_\_A\_\_\_B  
 \_\_\_\_\_ Downspout Scupper Style \_\_\_A\_\_\_B  
 (\_\_\_\_X\_\_\_\_) Size A: Tapered 1 1/2" (38 mm) Drop  
 B: Flat

PROJECT:

ARCHITECT:

ROOFING CONTRACTOR:

REPRESENTATIVE/DISTRIBUTOR:



Phone: 800-323-1960 Fax: 800-722-7150  
 www.pac-clad.com  
 e-mail: info@pac-clad.com

DATE: 08/09/10

DRN BY: JJC

CKD BY: SAK

SHT.# \_\_\_ OF \_\_\_

DWG# 41010-12272

A