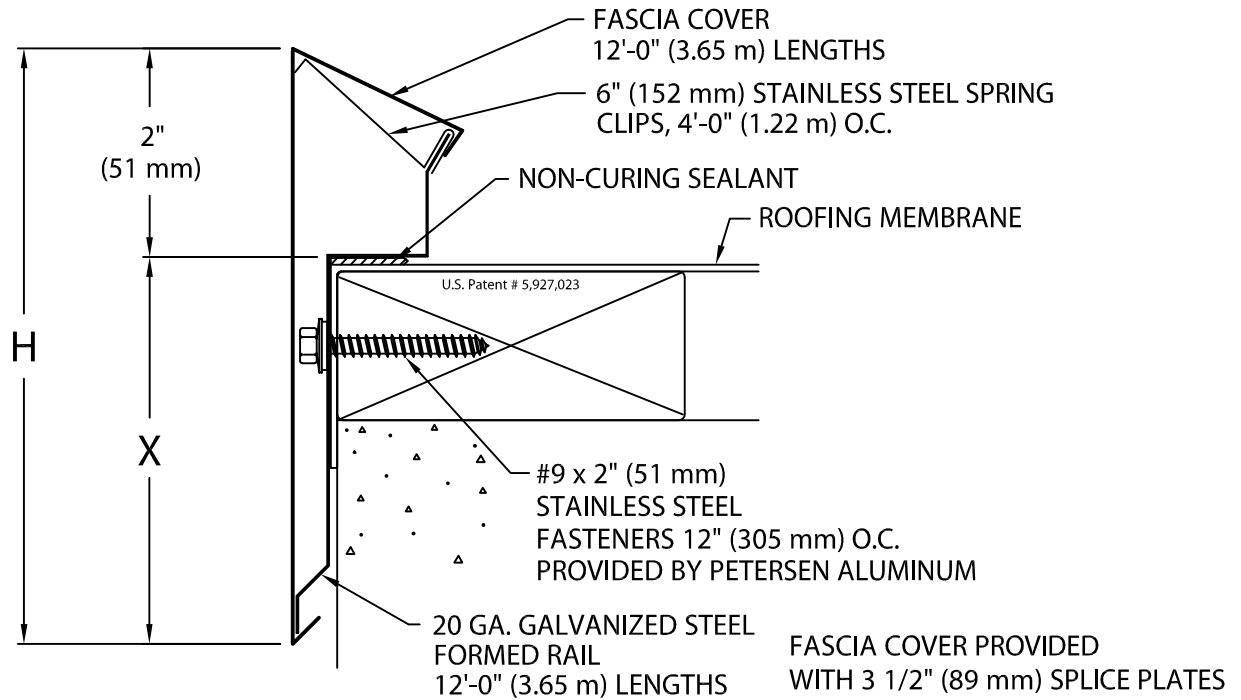


# PAC SNAP EDGE

## STONE BALLAST SINGLE-PLY VERSION

ANSI/SPRI ES-1 DESIGN PRESSURE OF 200 psf

.050" AND .063" MATERIAL



Fascia is to be installed per Specifications and Petersen Aluminum's Installation Instructions Dwg. # 41110-12275

### PAC SNAP EDGE DIMENSIONS

PRODUCT ID. NO.	H DIM	X DIM	NAILER COVERAGE
<input type="checkbox"/> MEB-50	5" (130 mm)	3 7/8" (102 mm)	1 NAILERS
<input type="checkbox"/> MEB-65	6 1/2" (168 mm)	5 3/8" (140 mm)	2 NAILERS
<input type="checkbox"/> MEB-80	8" (206 mm)	6" (152 mm)	3 NAILERS

### MATERIAL:

\_\_\_\_\_ .050" (1.27 mm) Alum.

\_\_\_\_\_ .063" (1.60 mm) Alum.

\_\_\_\_\_ OTHER \_\_\_\_\_

Color: \_\_\_\_\_

Finish: \_\_\_\_\_

Fabrication will proceed only after receipt of signed print approval.

## Print Approval:

Architect and/or contractor shall verify all dimensions, sizes and quantities. All products to be installed in strict accordance with Petersen Aluminum's printed instructions.

Approved by: \_\_\_\_\_

Date: \_\_\_\_\_

### QUANTITIES:

\_\_\_\_\_ Lineal Feet 12'-0" (3.65 m) Lengths

\_\_\_\_\_ Outside Miters @ (\_\_\_\_°)

\_\_\_\_\_ Inside Miters @ (\_\_\_\_°)

\_\_\_\_\_ Overflow Scupper Style \_\_\_A\_\_\_B

\_\_\_\_\_ Spillout Scupper Style \_\_\_A\_\_\_B

\_\_\_\_\_ Downspout Scupper Style \_\_\_A\_\_\_B

(\_\_\_\_X\_\_\_\_) Size A: Tapered 1 1/2" (38 mm) Drop  
B: Flat

PROJECT:

ARCHITECT:

ROOFING CONTRACTOR:

REPRESENTATIVE/DISTRIBUTOR:



Phone: 800-323-1960 Fax: 800-722-7150  
www.pac-clad.com  
e-mail: info@pac-clad.com

DATE: 08/09/10

DRN BY: JJC

CKD BY: SAK

SHT.# \_\_\_ OF \_\_\_

DWG# 41010-12274

**A**