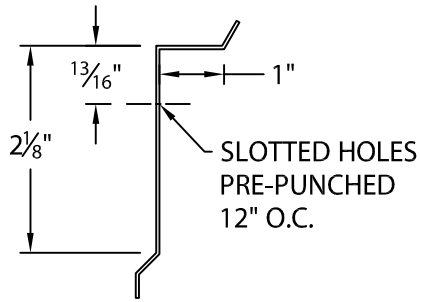


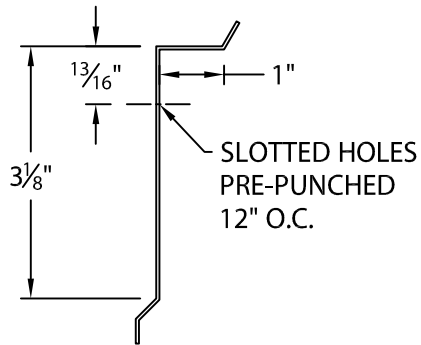
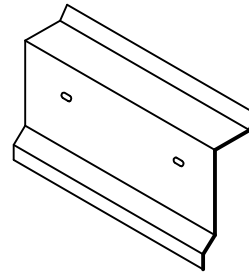
PAC SNAP EDGE

FULLY ADHERED OR MECHANICALLY ATTACHED SINGLE-PLY VERSION

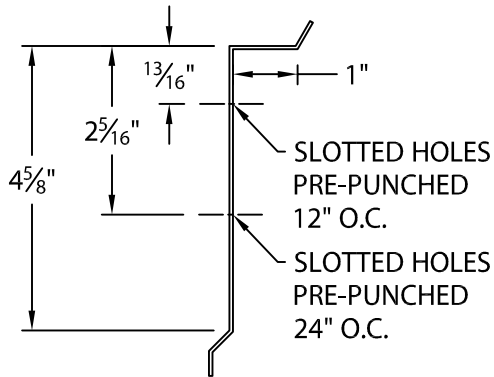
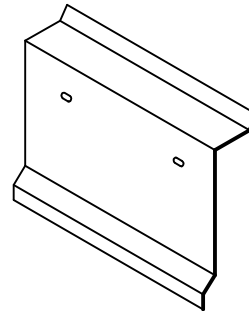
FORMED RAIL DETAILS



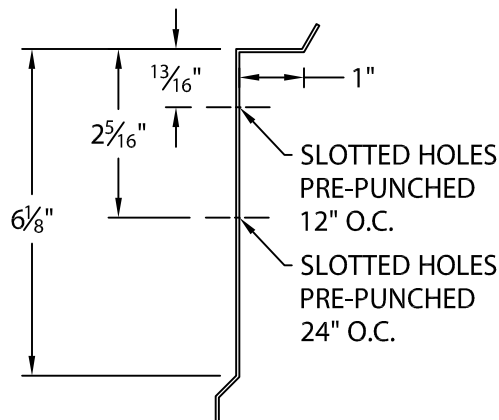
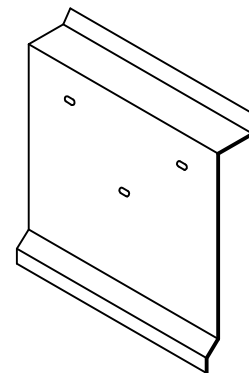
ME-40



ME-50



ME-65



ME-80

