


NOTES:

- (1) ANCHOR CLIP PROFILE ON WALLS GREATER THAN 14". 
- (2) FACE = COVERAGE (SHOULD EXTEND A MIN. OF 1" BELOW WATER RESISTANT WALL SURFACE) + 1 9/16".
- (3) 24 GA. GALV. AND .040" ALUM. COPING COVERS AVAILABLE FOR WALL SIZES 3 1/2" TO 24" ONLY.
- (4) WELDED ACCESSORIES REQUIRE A MINIMUM MATERIAL THICKNESS OF .050".
- (5) FOR NON 90° MITERS PLEASE USE PRINT APPROVAL #41011-12586.

MATERIAL:

- ___ 24 GA. GALVANIZED STEEL (3)
- ___ 22 GA. GALVANIZED STEEL
- ___ .040" ALUMINUM (3) COLOR: _____
- ___ .050" ALUMINUM FINISH: _____
- ___ .063" ALUMINUM
- ___ OTHER _____

QUANTITIES:

_____ LINEAL FEET 12'-0" LENGTHS

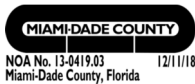
ACCESSORIES:

- SPECIFY ACCESSORY TYPE:
- ___ OUTSIDE MITERS @ 90° (5) WELDED (4)
 - ___ INSIDE MITERS @ 90° (5) QUICKLOCK
 - ___ RIGHT ENDCAPS
 - ___ LEFT ENDCAPS
 - ENDWALL FLASHING (SPLICE PLATE VERSION)
 - RIGHT HAND _____ LEFT HAND _____
 - ENDWALL FLASHING (COPING VERSION)
 - RIGHT HAND _____ LEFT HAND _____

AUTHORIZED SIGNATURE:

APPROVED BY: _____

DATE: _____



ANSI/SPRI ES-1 TESTED

PROJECT:

ARCHITECT:

ROOFING CONTRACTOR:

REPRESENTATIVE/DISTRIBUTOR:

PHONE: 800-323-1960 FAX: 800-722-7150
WWW.PAC-CLAD.COM
E-MAIL: INFO@PAC-CLAD.COM

DATE: 03/06/14

DRN BY: JJC

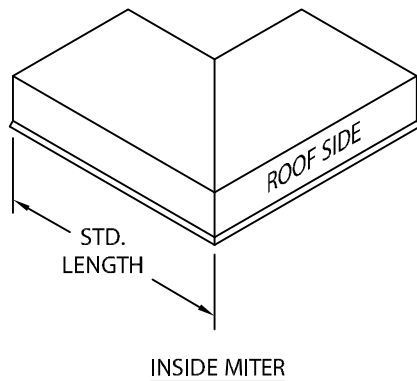
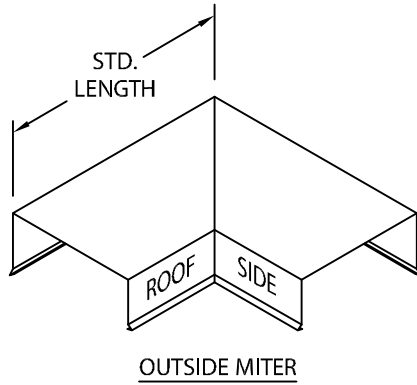
CKD BY: SAK

SHT.# ___ OF ___

DWG# 41011-19332

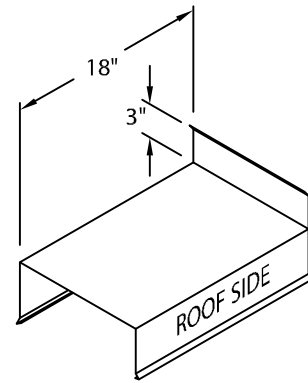
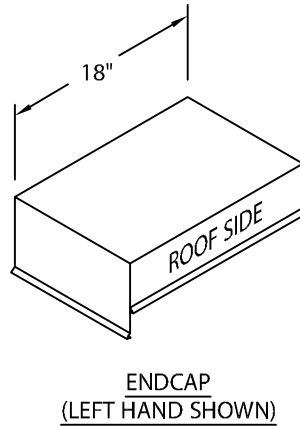
A

PAC-TITE COPING

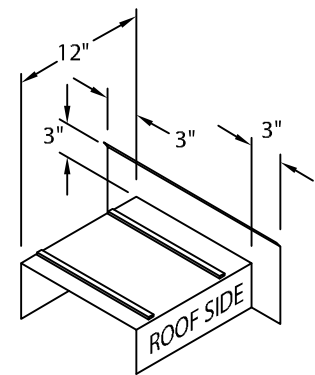


MITER STANDARD LEG LENGTH:
WALL SIZE + $9\frac{5}{8}$ " = LENGTH

PAC-TITE COPING STANDARD ACCESSORIES



ENDWALL FLASHING
COPING VERSION
(RIGHT HAND SHOWN)



ENDWALL FLASHING
SPLICE PLATE VERSION
(RIGHT HAND SHOWN)
(AVAILABLE ONLY IN
.040" WELDED, PAINTED
TO MATCH COPING)

ADDITIONAL ACCESSORIES ARE AVAILABLE ON WEBSITE:

- TRANSITION MITERS
- STRAIGHT TRANSITION MITERS
- "T" MITERS
- "Z" MITERS
- STEP-UP MITERS
- PEAK / VALLEY MITERS
- PILASTER CAPS
- RADIUS COPING
- ARCHED COPING

(FOR ADDITIONAL ACCESSORY REQUIREMENTS, ATTACH SKETCHES OR CALL MANUFACTURER FOR ASSISTANCE).

ANCHOR CLIP SPACING:

- 24 GA. / .040", 16" WALL SIZE OR LESS, ANCHOR CLIPS ARE 48" O.C.
- 24 GA. / .040", OVER 16" WALL SIZE, ANCHOR CLIPS ARE 36" O.C.
- 22 GA. / .050" / .063", $26\frac{1}{2}$ " WALL SIZE OR LESS, ANCHOR CLIPS ARE 48" O.C.
- 22 GA. / .050" / .063", OVER $26\frac{1}{2}$ " WALL SIZE, ANCHOR CLIPS ARE 36" O.C.
- FLORIDA JOBS HAVE ANCHOR CLIPS 36" O.C. FOR ALL WALL SIZES.

ANCHOR CLIP MATERIAL IS 20 GA. GALV. FOR ALL WALL SIZES UP TO $26\frac{1}{2}$ ".
16 GA. GALV. FOR ALL WALL SIZES GREATER THAN $26\frac{1}{2}$ "