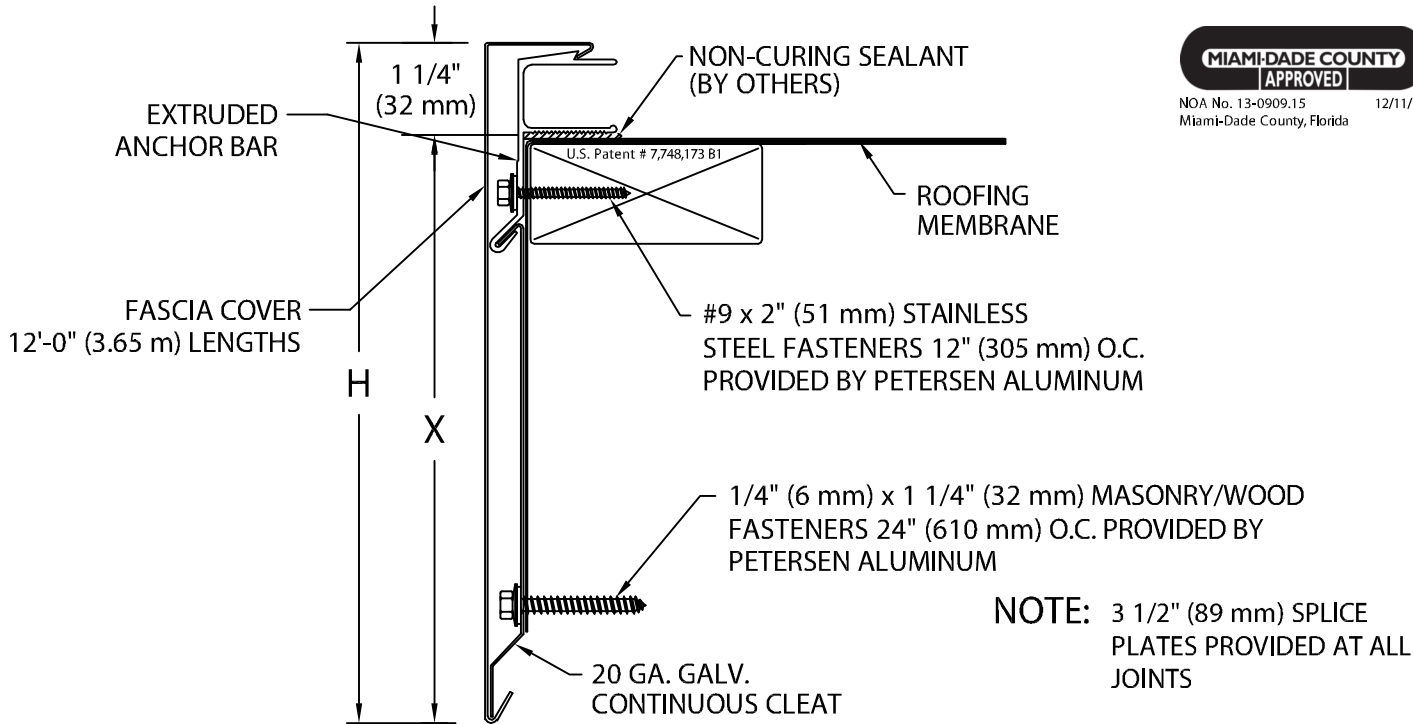




# PAC-TITE WT EXTENDED FASCIA

FULLY ADHERED OR MECHANICALLY ATTACHED SINGLE-PLY VERSION

ANSI/SPRI ES-1 DESIGN PRESSURE OF 190 psf



**NOTE:** 3 1/2" (89 mm) SPLICE PLATES PROVIDED AT ALL JOINTS

Fascia is to be installed per Specifications and Petersen Aluminum's Installation Instructions Dwg. # 41110-12148

## PAC-TITE WT EXTENDED FASCIA DIMENSIONS

PRODUCT ID. NO.	H DIM	X DIM
<input type="checkbox"/> AEF-85	8 1/2" (216 mm)	7 1/4" (184 mm)
<input type="checkbox"/> AEF-100	10" (251 mm)	8 3/4" (222 mm)
<input type="checkbox"/> AEF-115	11 1/2" (292 mm)	10 1/4" (260 mm)
<input type="checkbox"/> AEF-130	13" (330 mm)	11 3/4" (298 mm)

## MATERIAL:

\_\_\_ .050" (1.27 mm) Aluminum  
 \_\_\_ .063" (1.60 mm) Aluminum  
 \_\_\_ OTHER \_\_\_\_\_  
 Color: \_\_\_\_\_  
 Finish: \_\_\_\_\_

Fabrication will proceed only after receipt of signed print approval.

## Print Approval:

Architect and/or contractor shall verify all dimensions, sizes and quantities. All products to be installed in strict accordance with Petersen Aluminum's printed instructions.

Approved by: \_\_\_\_\_

Date: \_\_\_\_\_

## QUANTITIES:

\_\_\_\_\_ Lineal Feet (12'-0" (3.65 m) Lengths)  
 \_\_\_\_\_ Outside Miters @ (\_\_\_\_\_)°  
 \_\_\_\_\_ Inside Miters @ (\_\_\_\_\_)°  
 \_\_\_\_\_ Overflow Scupper Style \_\_\_A\_\_\_B  
 \_\_\_\_\_ Spillout Scupper Style \_\_\_A\_\_\_B  
 \_\_\_\_\_ Downspout Scupper Style \_\_\_A\_\_\_B  
 (\_\_\_X\_\_\_) Size A: Tapered 1 1/2" (38 mm) Drop  
 B: Flat

PROJECT:

ARCHITECT:

ROOFING CONTRACTOR:

REPRESENTATIVE/DISTRIBUTOR:



Phone: 800-323-1960 Fax: 800-722-7150  
 www.pac-clad.com  
 e-mail: info@pac-clad.com

DATE: 12/17/13

DRN BY: JJC

CKD BY: SAK

SHT.# \_\_\_ OF \_\_\_

DWG# 41010-12141

C