

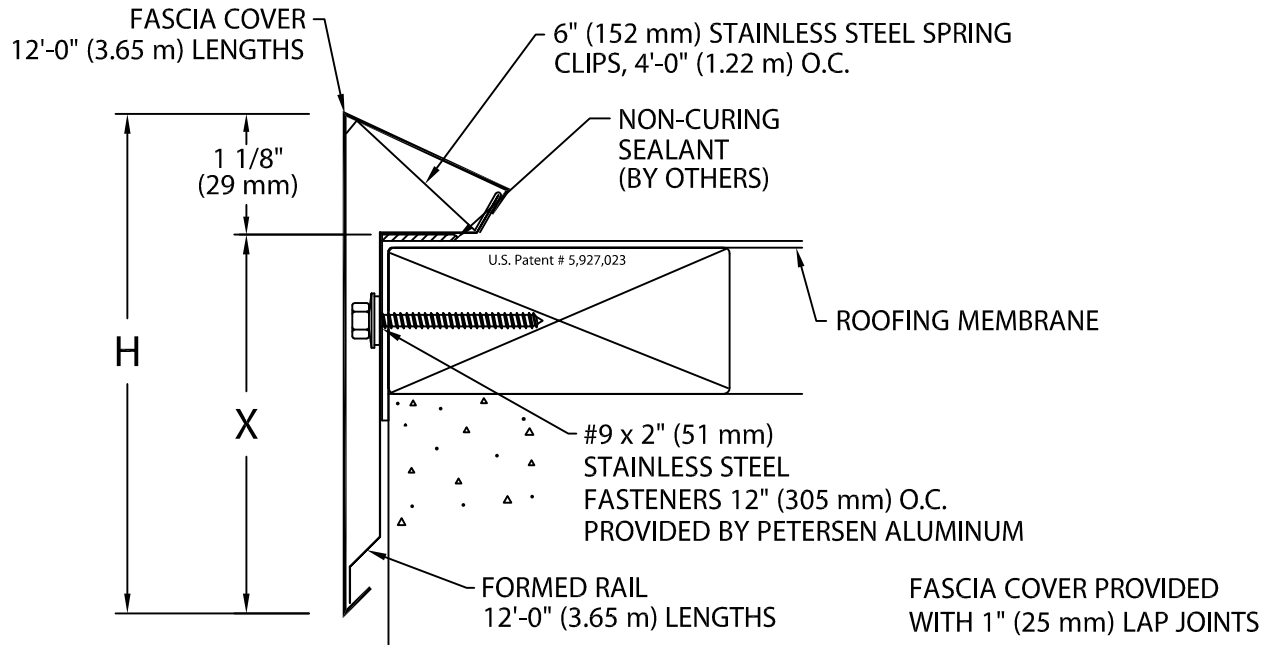


# PAC SNAP EDGE

FULLY ADHERED OR MECHANICALLY ATTACHED SINGLE-PLY VERSION

ANSI/SPRI ES-1 DESIGN PRESSURE OF 200 psf

24 GA. AND .040" MATERIAL



Fascia is to be installed per Specifications and Petersen Aluminum's Installation Instructions Dwg. # 41110-12242

-- Formed Rail (FM approval requires .050" (1.27 mm) formed rail)  
 Check one  20 Ga. (1.00 mm) Galv. Steel  .050" (1.27 mm) Alum.

## PAC SNAP EDGE DIMENSIONS

PRODUCT ID. NO.	H DIM	X DIM	NAILER COVERAGE
<input type="checkbox"/> ME-40	4" (102 mm)	2 7/8" (73 mm)	1 NAILER
<input type="checkbox"/> ME-50	5" (130 mm)	3 7/8" (102 mm)	2 NAILERS
<input type="checkbox"/> ME-65	6 1/2" (168 mm)	5 3/8" (140 mm)	3 NAILERS
<input type="checkbox"/> ME-80	8" (206 mm)	6 7/8" (178 mm)	4 NAILERS

## MATERIAL:

\_\_\_ 24 Ga. (.65 mm) Galv. Steel  
 \_\_\_ .040" (1.01 mm) Aluminum  
 \_\_\_ OTHER \_\_\_\_\_

Color: \_\_\_\_\_

Finish: \_\_\_\_\_

Fabrication will proceed only after receipt of signed print approval.

## Print Approval:

Architect and/or contractor shall verify all dimensions, sizes and quantities. All products to be installed in strict accordance with Petersen Aluminum's printed instructions.

Approved by: \_\_\_\_\_

Date: \_\_\_\_\_

## QUANTITIES:

\_\_\_\_\_ Lineal Feet 12'-0" (3.65 m) Lengths  
 \_\_\_\_\_ Outside Miters @ (\_\_\_\_°)  
 \_\_\_\_\_ Inside Miters @ (\_\_\_\_°)  
 \_\_\_\_\_ Overflow Scupper Style \_\_\_A\_\_\_B  
 \_\_\_\_\_ Spillout Scupper Style \_\_\_A\_\_\_B  
 \_\_\_\_\_ Downspout Scupper Style \_\_\_A\_\_\_B  
 (\_\_\_\_X\_\_\_\_) Size A: Tapered 1 1/2" (38 mm) Drop  
 B: Flat

PROJECT:

ARCHITECT:

ROOFING CONTRACTOR:

REPRESENTATIVE/DISTRIBUTOR:



Phone: 800-323-1960 Fax: 800-722-7150  
 www.pac-clad.com  
 e-mail: info@pac-clad.com

DATE: 08/04/11

DRN BY: JJC

CKD BY: SAK

SHT.# \_\_\_ OF \_\_\_

DWG# 41010-12241

B