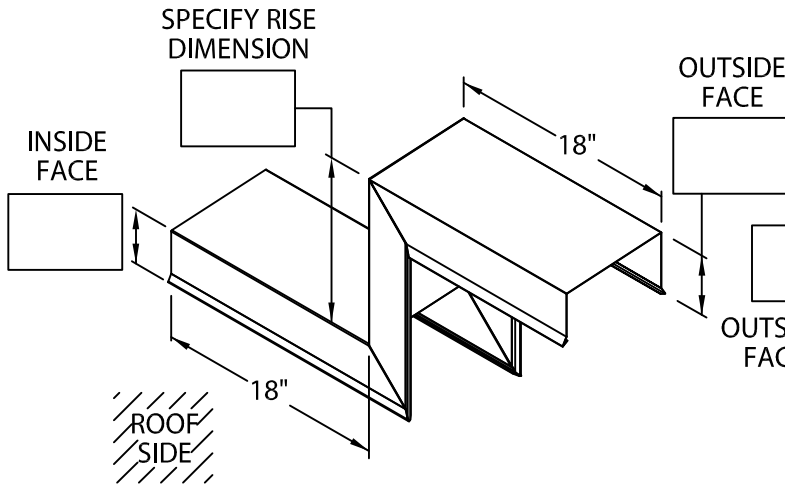
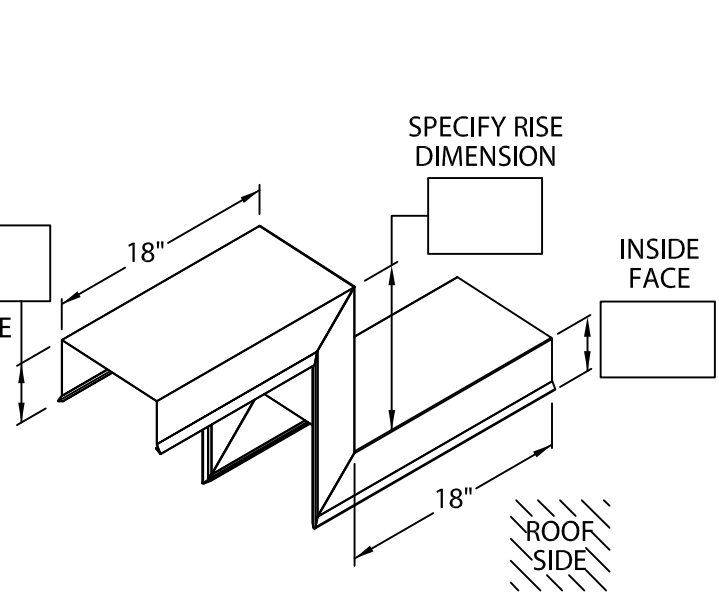


STEP-UP COPING MITERS

LEFT HAND STEP-UP MITER



RIGHT HAND STEP-UP MITER



DIRECTION IS DETERMINED AS SEEN FROM ROOF

NOTES:

- * Concealed splice plates are provided with factory applied dual non-curing sealant strips.
- * Unless otherwise noted, fabrication of miters and accessories are furnished standard utilizing a non-penetrating quicklock joint, then factory sealed watertight.

Fabrication will proceed only after receipt of signed print approval.

Print Approval:

Architect and/or contractor shall verify all dimensions, sizes and quantities. All products to be installed in strict accordance with Petersen Aluminum's printed instructions.

Approved by: _____

Date: _____

-- Welded Miters and Accessories

Check one Required (surcharge) Not applicable

MATERIALS:

- ___ 24 GA. (.65 mm) Steel
- ___ .040" (1.01 mm) Aluminum
- ___ .050" (1.27 mm) Aluminum
- ___ .063" (1.60 mm) Aluminum
- ___ Other _____

Color: _____

Finish: _____

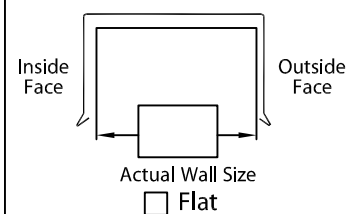
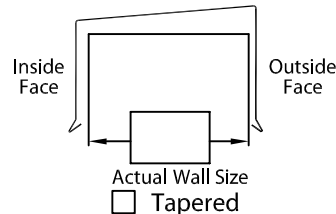
QUANTITIES:

_____ Right Hand Step-Up Miter(s)

_____ Left Hand Step-Up Miter(s)

PAC-TITE Coping

PAC-Continuous Cleat Coping



PROJECT:

ARCHITECT:

ROOFING CONTRACTOR:

REPRESENTATIVE/DISTRIBUTOR:



Phone: 800-323-1960 Fax: 800-722-7150
 www.pac-clad.com
 e-mail: info@pac-clad.com

DATE: 10/18/10

DRN BY: JJC

CKD BY: SAK

SHT.# ___ OF ___

DWG# 41011-12592

A