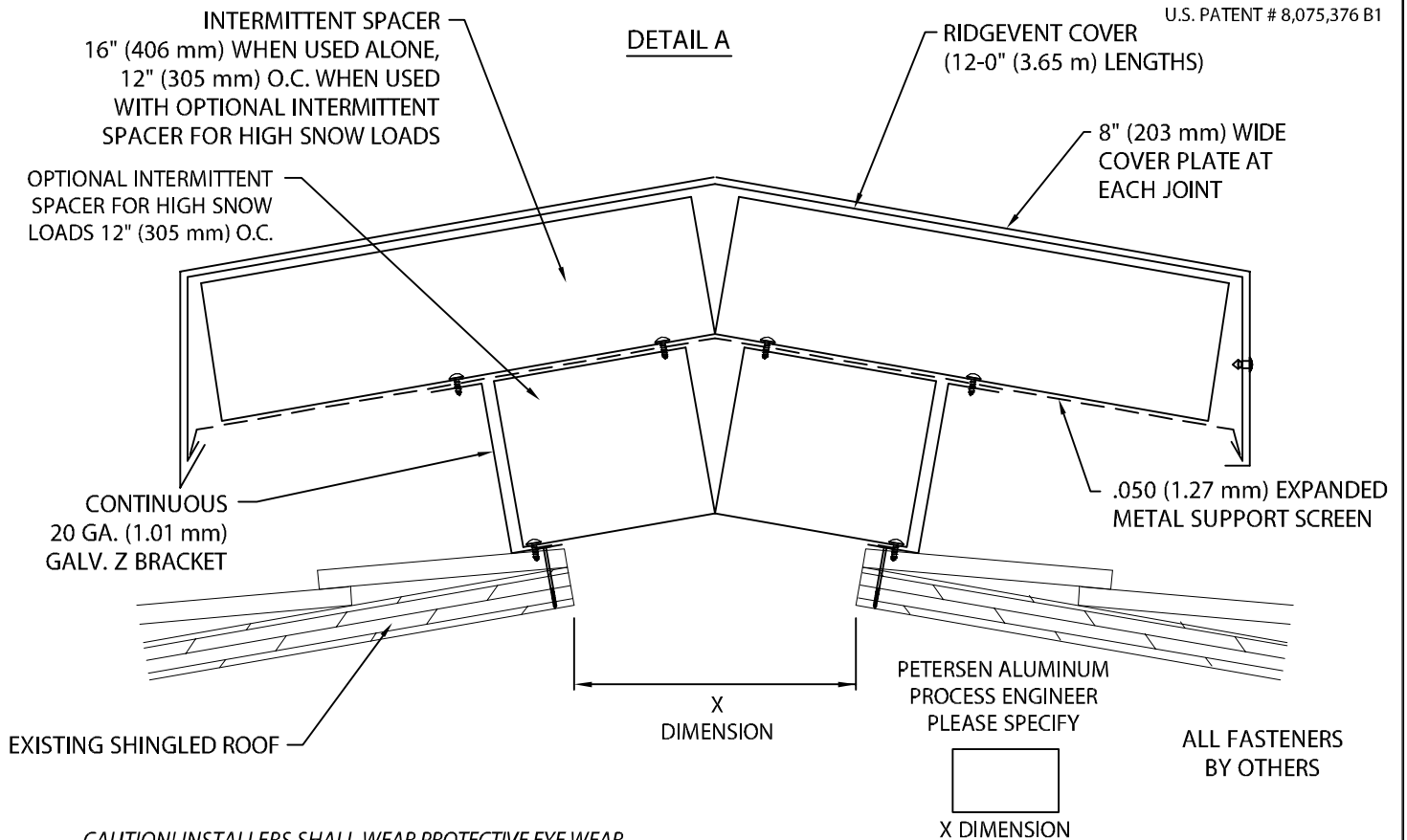


PAC SS RIDGE VENT

SLOPE TO SLOPE, SHINGLED VERSION

INSTALLATION INSTRUCTIONS

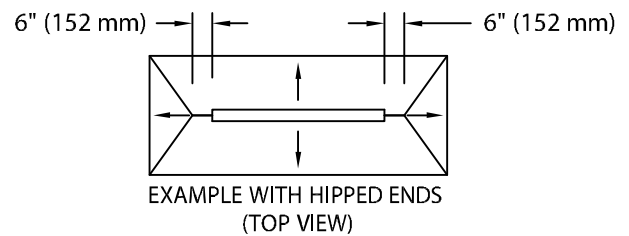
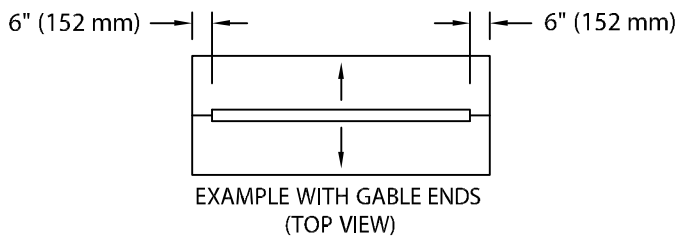
U.S. PATENT # 8,075,376 B1



CAUTION! INSTALLERS SHALL WEAR PROTECTIVE EYE WEAR TO PREVENT INJURY. DO NOT OVERDRIVE FASTENERS, AS STRIPPING CAN OCCUR AT HIGH DRIVER TORQUE. RECOMMENDED DRIVING TOOL: 600 - 800 rpm ELECTRIC DRILL EQUIPPED WITH DEPTH-SENSING NOSE-PIECE TO PREVENT DRIVING AND STRIPOUT. DO NOT USE IMPACT TYPE TOOL.

IMPORTANT! BE SURE TO REMOVE PROTECTIVE PLASTIC FILM PRIOR TO INSTALLING EACH COVER SECTION.

NOTE: ALL FASTENERS MUST MEET MINIMUM 240 LB. PULL-OUT FOR SUBSTRATE.



1. PREPARE RIDGE

CUT OPENING AT RIDGE "X" DIMENSION. END THE OPENING 6" (152 mm) BEFORE GABLE OR HIPPED END.

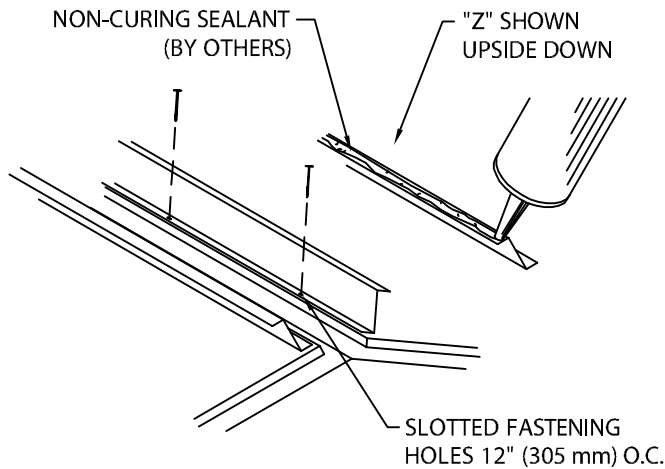
	Phone: 800-323-1960 Fax: 800-722-7150 www.pac-clad.com E-mail: info@pac-clad.com	
	DATE: 05/22/13	SHT.# <u>1</u> OF <u>4</u>
DRN BY: JJC	DWG# 41124-14959	
CKD BY: SAK	B	

PAC SS RIDGE VENT

SLOPE TO SLOPE, SHINGLED VERSION

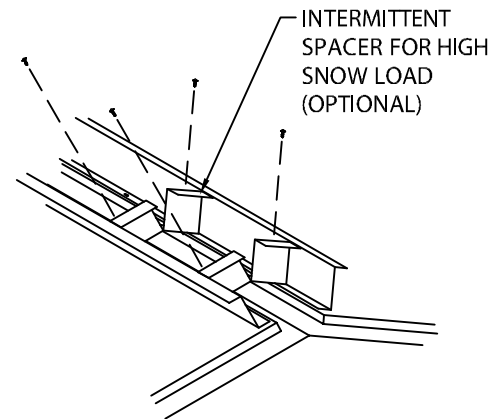
INSTALLATION INSTRUCTIONS

U.S. PATENT # 8,075,376 B1



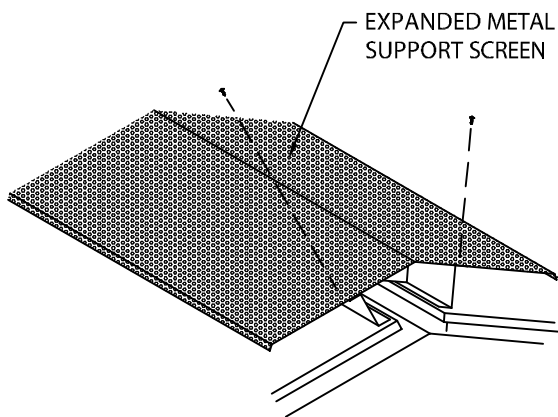
2. MOUNTING BRACKETS

TO PREVENT MOISTURE ENTRY UNDER THE "Z", APPLY A GENEROUS BEAD OF NON-CURING SEALANT (BY OTHERS) TO BOTTOM OF FLANGE. FASTEN BRACKETS AT ROOF AT 12" (305 mm) O.C. WITH APPROPRIATE FASTENERS USING PRE-PUNCHED SLOTTED HOLES. LAP "Z'S" 1" (25 mm).



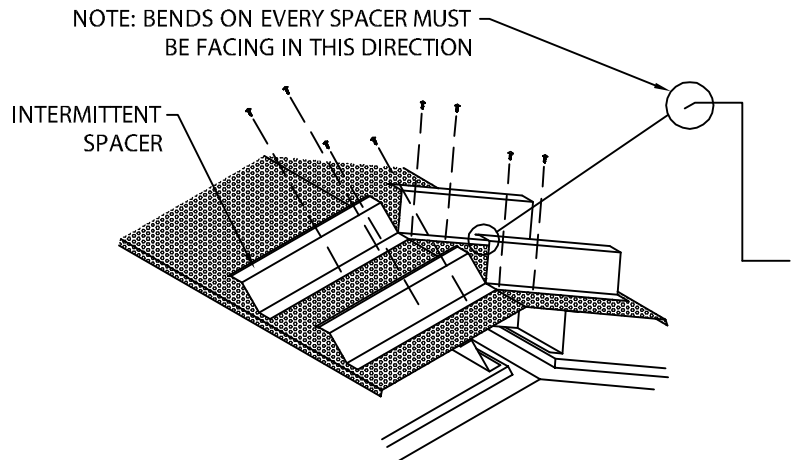
3. INTERMITTENT SPACER (OPTIONAL SNOW BRACE)

TO PREVENT COLLAPSE IN HIGH SNOW LOAD AREAS, FASTEN OPTIONAL INTERMITTENT SPACER 12" (305 mm) O.C. AS SHOWN WITH APPROPRIATE FASTENERS.



4. EXPANDED METAL SUPPORT SCREEN

PLACE ONE SCREEN CENTERED OVER BRACKETS. TEMPORARILY FASTEN TO "Z" BRACKETS AT BOTH ENDS OF 12'-0" (3.65 m) SCREEN (FOUR FASTENERS TOTAL). IN ORDER TO MINIMIZE THE LENGTH OF SCREEN AND SPACERS THAT THE COVER WILL SLIDE ONTO, START BY INSTALLING TWO LENGTHS OF SCREEN (LAP SCREENS 1" (25 mm)) WITH THE APPROPRIATE INTERMITTENT SPACERS (SPACER INSTALLATION, STEP 5) AFTER ENDCAP IS INSTALLED (STEP 7) SLIDE FIRST COVER INTO PLACE. FROM THERE INSTALL ONE SCREEN AND APPROPRIATE SPACERS AND IMMEDIATELY SLIDE ON ONE COVER.



5. INTERMITTENT SPACERS

STARTING AT THE END OF THE ROOF WHERE THE ENDCAPS WILL BE PLACED, FASTEN INTERMITTENT SPACERS (16" (406 mm) O.C. WHEN USED ALONE, 12" (305 mm) O.C. WHEN USED WITH OPTIONAL SNOW BRACE) AS SHOWN WITH APPROPRIATE FASTENERS. THE BENDS ON TOP OF THE SPACER MUST ALL BE FACING AWAY FROM THE END OF THE ROOF.



Phone: 800-323-1960
Fax: 800-722-7150
www.pac-clad.com
E-mail: info@pac-clad.com

DATE: 05/22/13

SHT.# 2 OF 4

DRN BY: JJC

CKD BY: SAK

DWG# 41124-14959

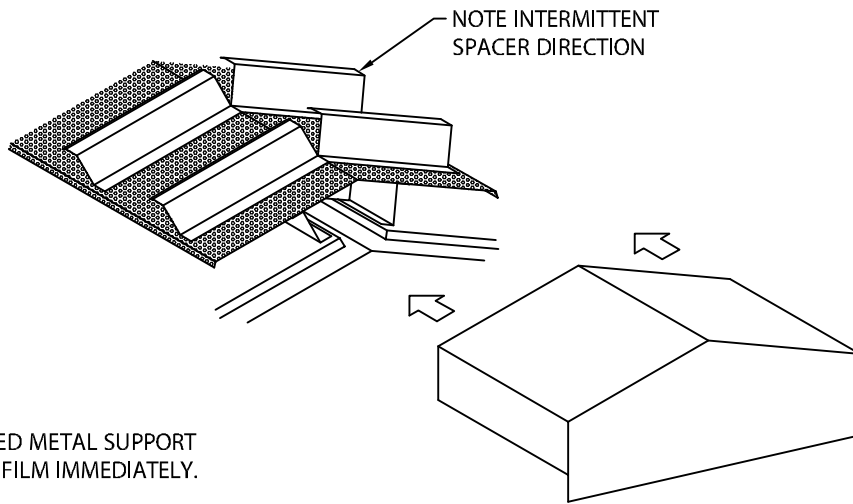
B

PAC SS RIDGE VENT

SLOPE TO SLOPE, SHINGLED VERSION

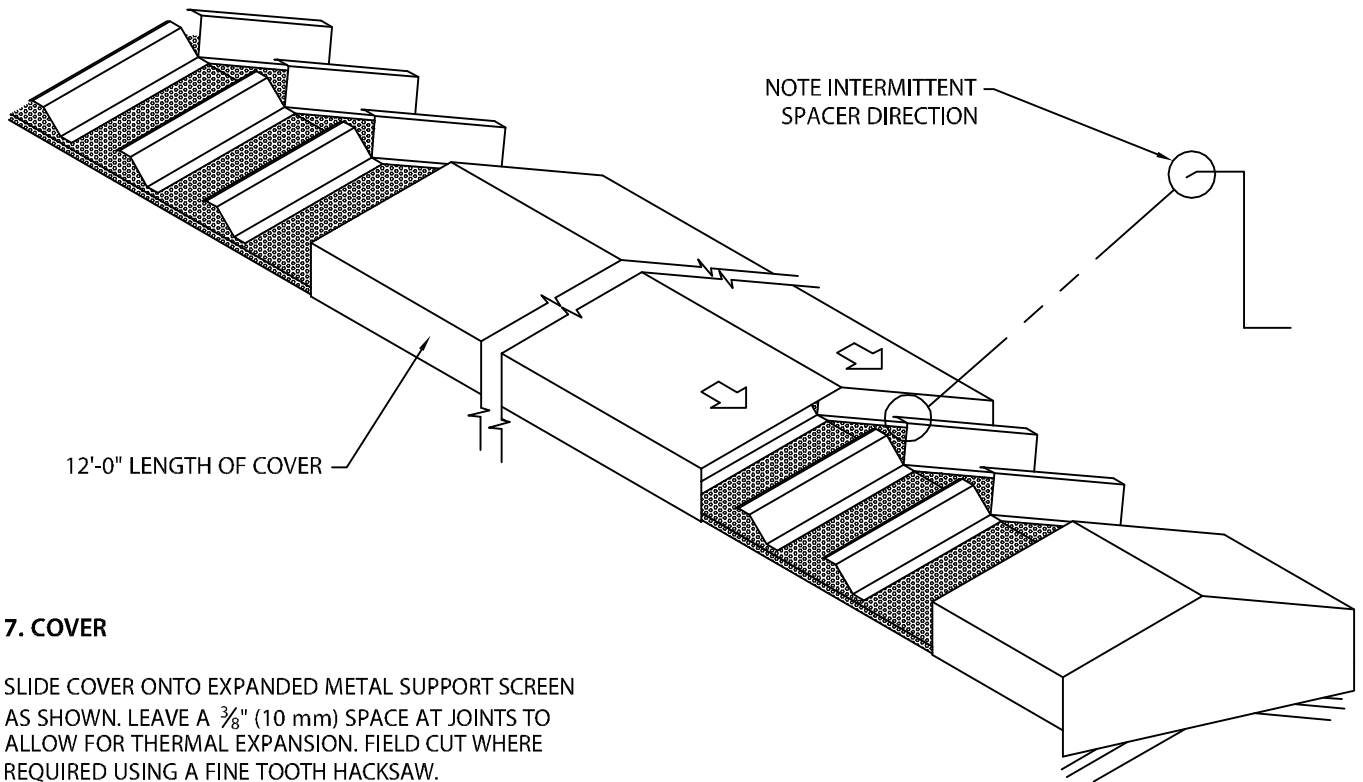
INSTALLATION INSTRUCTIONS

U.S. PATENT # 8,075,376 B1



6. ENDCAPS

SLIDE ENDCAP ONTO EXPANDED METAL SUPPORT SCREEN. REMOVE PROTECTIVE FILM IMMEDIATELY.



7. COVER

SLIDE COVER ONTO EXPANDED METAL SUPPORT SCREEN AS SHOWN. LEAVE A $\frac{3}{8}$ " (10 mm) SPACE AT JOINTS TO ALLOW FOR THERMAL EXPANSION. FIELD CUT WHERE REQUIRED USING A FINE TOOTH HACKSAW. NOTE: REMOVE PROTECTIVE FILM IMMEDIATELY.



Phone: 800-323-1960
Fax: 800-722-7150
www.pac-clad.com
E-mail: info@pac-clad.com

DATE: 05/22/13

SHT.# 3 OF 4

DRN BY: JJC

CKD BY: SAK

DWG# 41124-14959

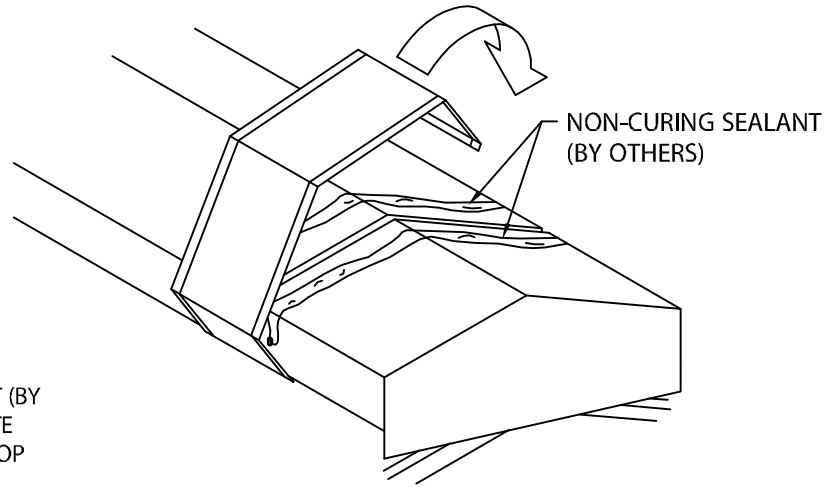
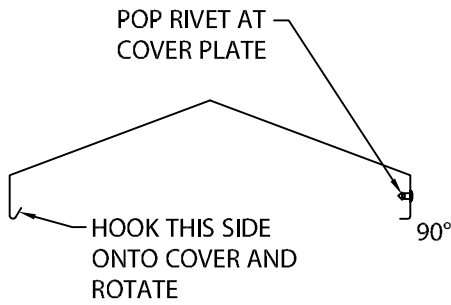
B

PAC SS RIDGE VENT

SLOPE TO SLOPE, SHINGLED VERSION

INSTALLATION INSTRUCTIONS

U.S. PATENT # 8,075,376 B1



8. COVER PLATES AT JOINTS

APPLY A GENEROUS BEAD OF NON-CURING SEALANT (BY OTHERS) TO EACH SIDE OF JOINT. HOOK COVER PLATE ONTO COVER AT JOINTS AND ROTATE INTO PLACE. POP RIVET INTO COVER PLATE AT ONE SIDE OF THE JOINT (FASTEN SIDE WHICH HAS 90° DRIP ANGLE). THIS WILL PREVENT MIGRATION.



Phone: 800-323-1960
Fax: 800-722-7150
www.pac-clad.com
E-mail: info@pac-clad.com

DATE: 05/22/13

SHT.# 4 OF 4

DRN BY: JJC

CKD BY: SAK

DWG# 41124-14959

B