

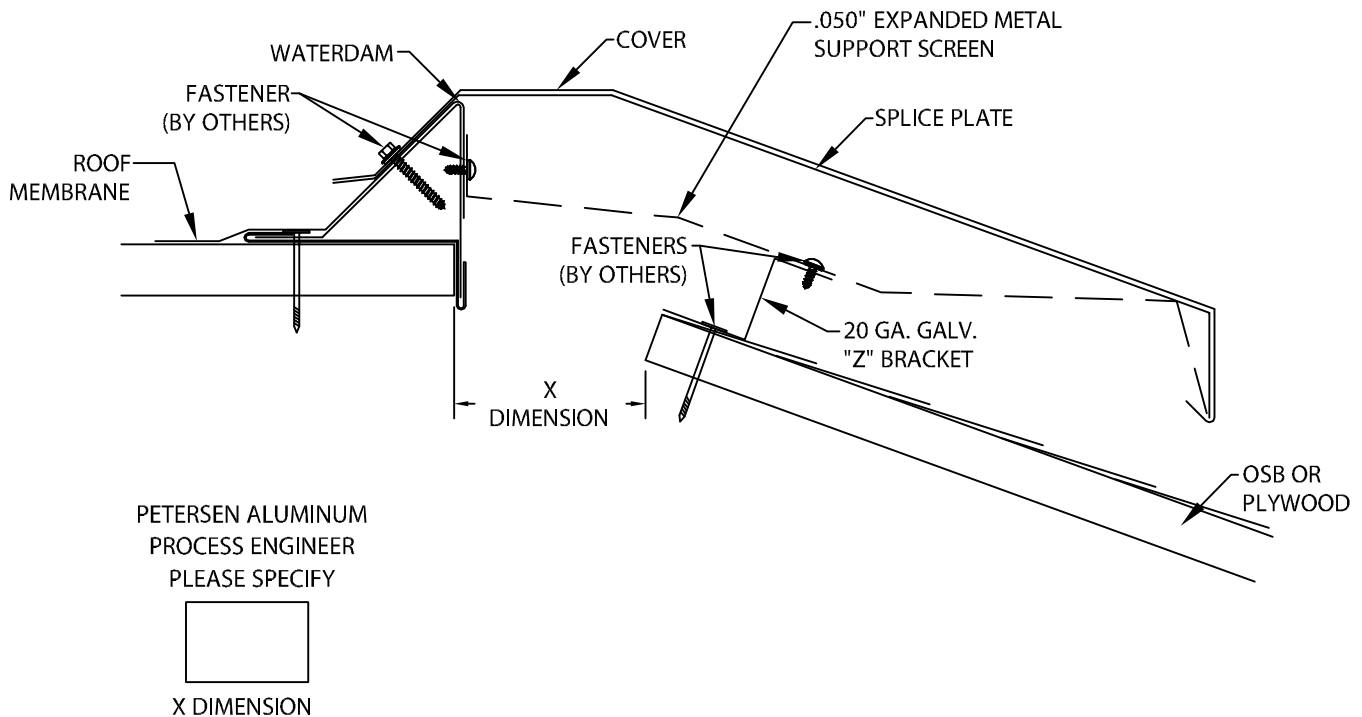
PAC SS RIDGE VENT

SLOPED ROOF MEETS FLAT ROOF

INSTALLATION INSTRUCTIONS

U.S. PATENT # 7,823,343 B1

DETAIL A



CAUTION! INSTALLERS SHALL WEAR PROTECTIVE EYE WEAR TO PREVENT INJURY. DO NOT OVERDRIVE FASTENERS, AS STRIPPING CAN OCCUR AT HIGH DRIVER TORQUE. RECOMMENDED DRIVING TOOL: 600 - 800 rpm ELECTRIC DRILL EQUIPPED WITH DEPTH-SENSING NOSE-PIECE TO PREVENT DRIVING AND STRIPOUT. DO NOT USE IMPACT TYPE TOOL.

IMPORTANT! BE SURE TO REMOVE PROTECTIVE PLASTIC FILM PRIOR TO INSTALLING EACH COVER SECTION.

NOTE: ALL FASTENERS MUST MEET MINIMUM 240 LB. PULL-OUT FOR SUBSTRATE.



Phone: 800-323-1960
Fax: 800-722-7150
www.pac-clad.com
E-mail: info@pac-clad.com

DATE: 02/06/12

SHT.# 1 OF 4

DRN BY: JJC

CKD BY: SAK

DWG# 41124-12211

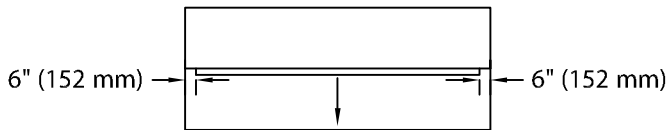
B

PAC SS RIDGE VENT

SLOPED ROOF MEETS FLAT ROOF

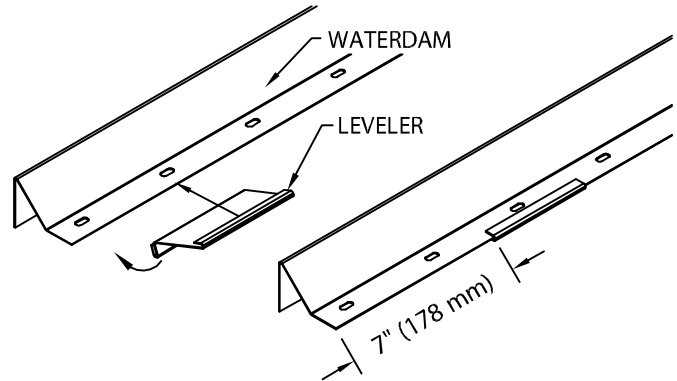
INSTALLATION INSTRUCTIONS

U.S. PATENT # 7,823,343 B1



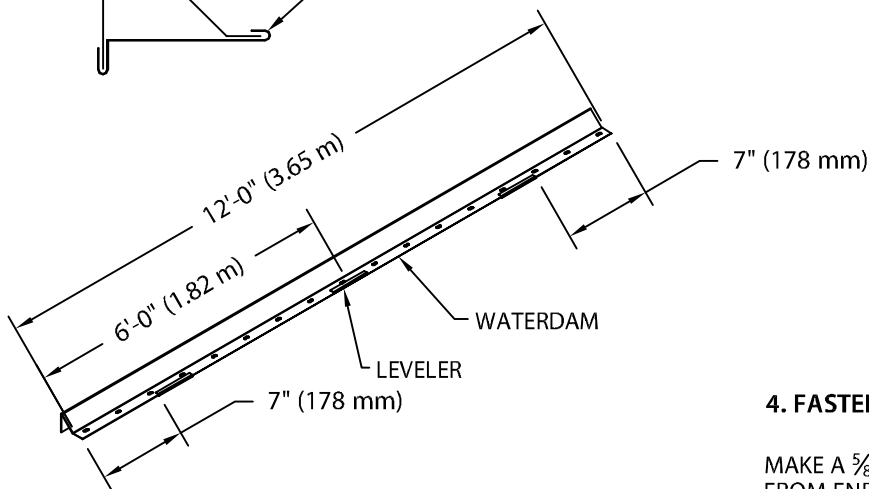
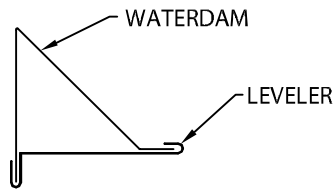
1. PREPARE RIDGE

CUT OPENING AT RIDGE "X" DIMENSION. (SEE DETAIL "A".)



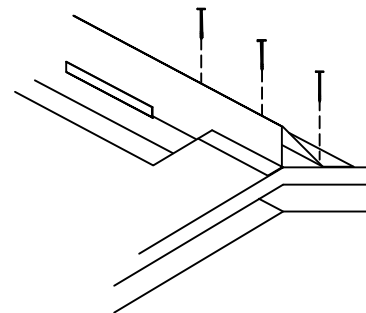
2. MOUNTING LEVELERS

CLIP THREE LEVELERS ON TO WATERDAM.



3. WATER DAM

SLIDE LEVELERS INTO POSITION: ONE 7" (178 mm) FROM EACH END AND ONE IN THE CENTER. (SEE DIAGRAM)



4. FASTEN

MAKE A $\frac{5}{8}$ " (16 mm) SLIT IN WATERDAM 6" (152 mm) FROM END (ONLY ON THE TWO END WATERDAMS). BEND TO FIT OVER THE OSB ON END 6" (152 mm) OF RIDGE. FASTEN WATER DAM AND LEVELERS AT ROOF AT 6" (152 mm) O.C. WITH APPROPRIATE FASTENERS USING PRE-PUNCHED SLOTTED HOLES. POSITION ROOF MEMBRANE OVER AND DOWN WATERDAM AS SHOWN ON PAGE 1. FOLLOW GENERAL RECOMMENDATIONS OF THE ROOF MEMBRANE MANUFACTURERS APPLICATION OF MATERIALS OVER THE ROOF EDGE. ROOF MEMBRANE NOT SHOWN FOR CLARITY.



Phone: 800-323-1960
Fax: 800-722-7150
www.pac-clad.com
E-mail: info@pac-clad.com

DATE: 02/06/12

SHT.# 2 OF 4

DRN BY: JJC

CKD BY: SAK

DWG# 41124-12211

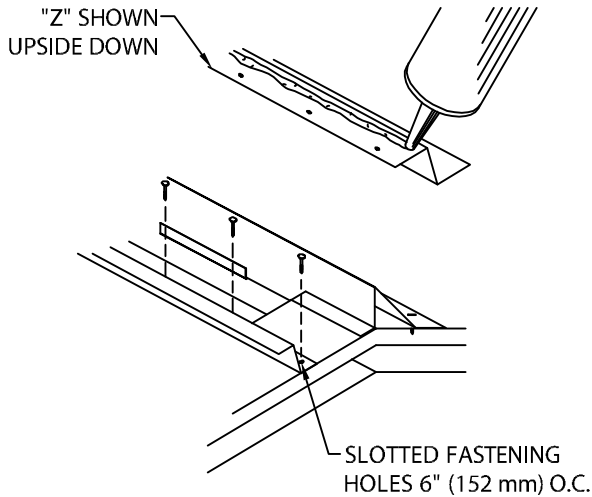
B

PAC SS RIDGE VENT

SLOPED ROOF MEETS FLAT ROOF

INSTALLATION INSTRUCTIONS

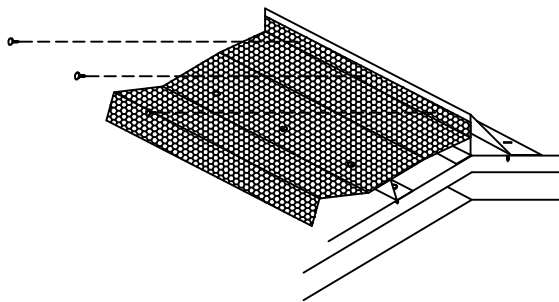
U.S. PATENT # 7,823,343 B1



5. MOUNTING BRACKETS

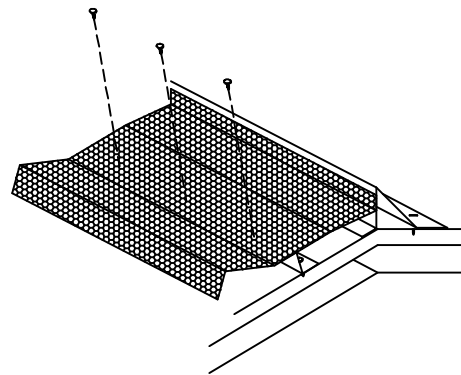
TO PREVENT MOISTURE ENTRY UNDER THE "Z", APPLY A GENEROUS BEAD OF NON-CURING SEALANT TO BOTTOM OF FLANGE. FASTEN BRACKETS AT ROOF AT 6" (152 mm) O.C. WITH APPROPRIATE FASTENERS USING PRE-PUNCHED SLOTTED HOLES. LAP "Z'S" 1" (25 mm).

NOTE: FOAM/SEALANT SHOULD BE PLACED BETWEEN THE "Z" AND FLAT ROOF OVER THE OSB ON THE LAST 6" (152 mm) AT BOTH ENDS (SEE STEP 1)



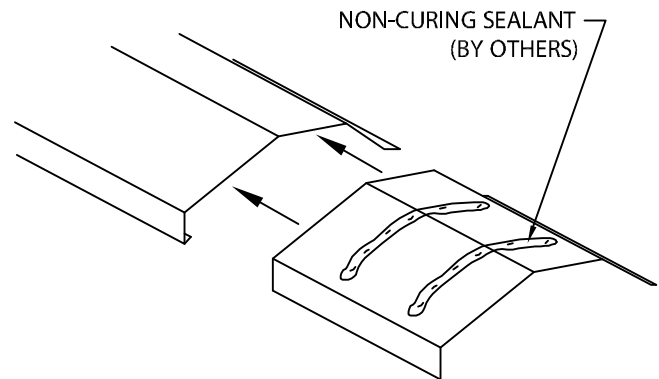
7. FASTEN

FASTEN TOP OF SUPPORT SCREEN AT 12" (305 mm) O.C. TO WATER DAM. LAP SUPPORT SCREENS 1" (152 mm).



6. EXPANDED METAL SUPPORT SCREEN

PLACE SUPPORT SCREEN CENTERED OVER "Z" BRACKET. FASTEN AT 12" (305 mm) O.C. TO "Z" BRACKET. LAP SUPPORT SCREENS 1" (25 mm).



8. SPLICE PLATES

8" (203 mm) CONCEALED SPLICE PLATE SUPPLIED AT EACH COVER JOINT. APPLY NON-CURING SEALANT (BY OTHERS) TO TOP OF SPLICE PLATES AS SHOWN. INSTALL THE SPLICE PLATE INTO ONE END OF 12'-0" (3.65 m) COVER AND ENDCAPS SO THAT HALF THE SPLICE PLATE IS EXPOSED.



Phone: 800-323-1960
Fax: 800-722-7150
www.pac-clad.com
E-mail: info@pac-clad.com

DATE: 02/06/12

SHT.# 3 OF 4

DRN BY: JJC

CKD BY: SAK

DWG# 41124-12211

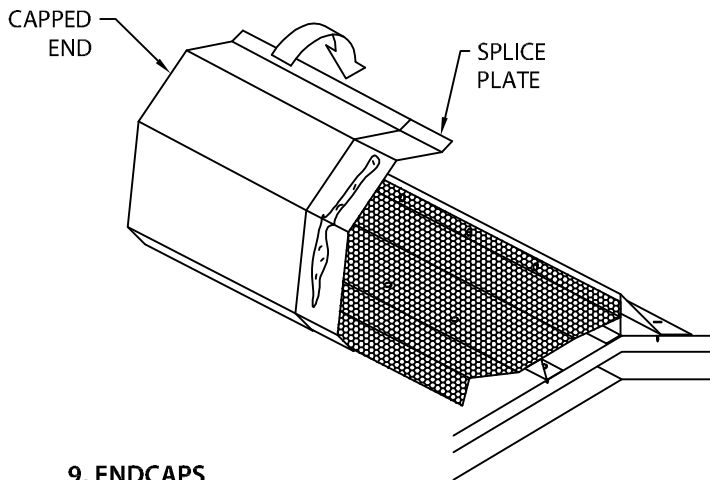
B

PAC SS RIDGE VENT

SLOPED ROOF MEETS FLAT ROOF

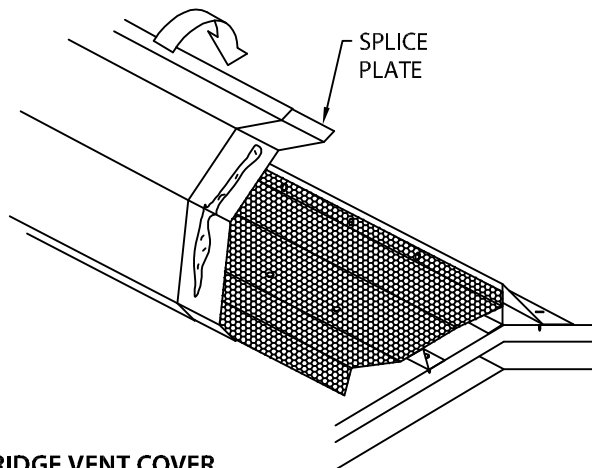
INSTALLATION INSTRUCTIONS

U.S. PATENT # 7,823,343 B1



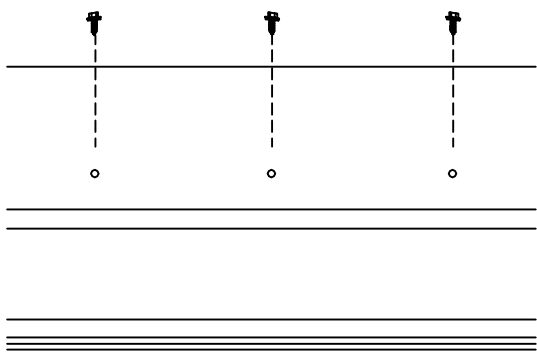
9. ENDCAPS

HOOK COVER DRIP ONTO EXPANDED METAL SUPPORT SCREEN AND ROTATE INTO PLACE.
IMPORTANT: USE PROTECTION AGAINST SHARP EDGES



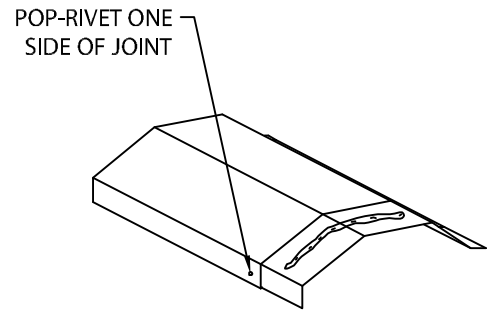
11. RIDGE VENT COVER

HOOK COVER DRIP ONTO EXPANDED METAL SUPPORT SCREEN AND ROTATE INTO PLACE. FIELD CUT WHERE NECESSARY USING A FINE TOOTH HACKSAW OR SNIPS.
NOTE: REMOVE PROTECTIVE FILM IMMEDIATELY.



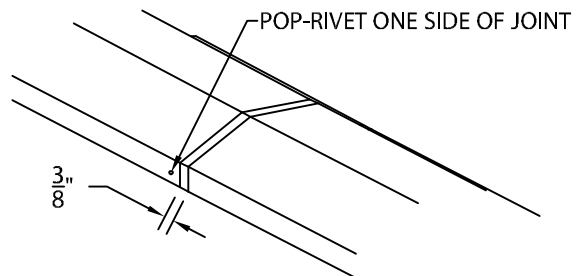
13. COMPLETION

FASTEN COVER TO WATER DAM AT 12" (305 mm) O.C. WITH APPROPRIATE FASTENERS USING PRE-PUNCHED SLOTTED HOLES.
NOTE: ONE FASTENER REQUIRED FOR EACH END CAP



10. POP-RIVET

POP-RIVET SPLICE TO ONE SIDE JOINT TO PREVENT JOINT MIGRATION.
NOTE: REMOVE PROTECTIVE FILM IMMEDIATELY.



12. POP-RIVET

POP-RIVET SPLICE TO ONE SIDE OF EVERY JOINT TO PREVENT JOINT MIGRATION. CONTINUE INSTALLING COVER WITH A $\frac{3}{8}$ " (10 mm) SPACE AT SPLICE PLATES TO ALLOW FOR THERMAL EXPANSION.



Phone: 800-323-1960
Fax: 800-722-7150
www.pac-clad.com
E-mail: info@pac-clad.com

DATE: 02/06/12

SHT.# 4 OF 4

DRN BY: JJC

CKD BY: SAK

DWG# 41124-12211

B