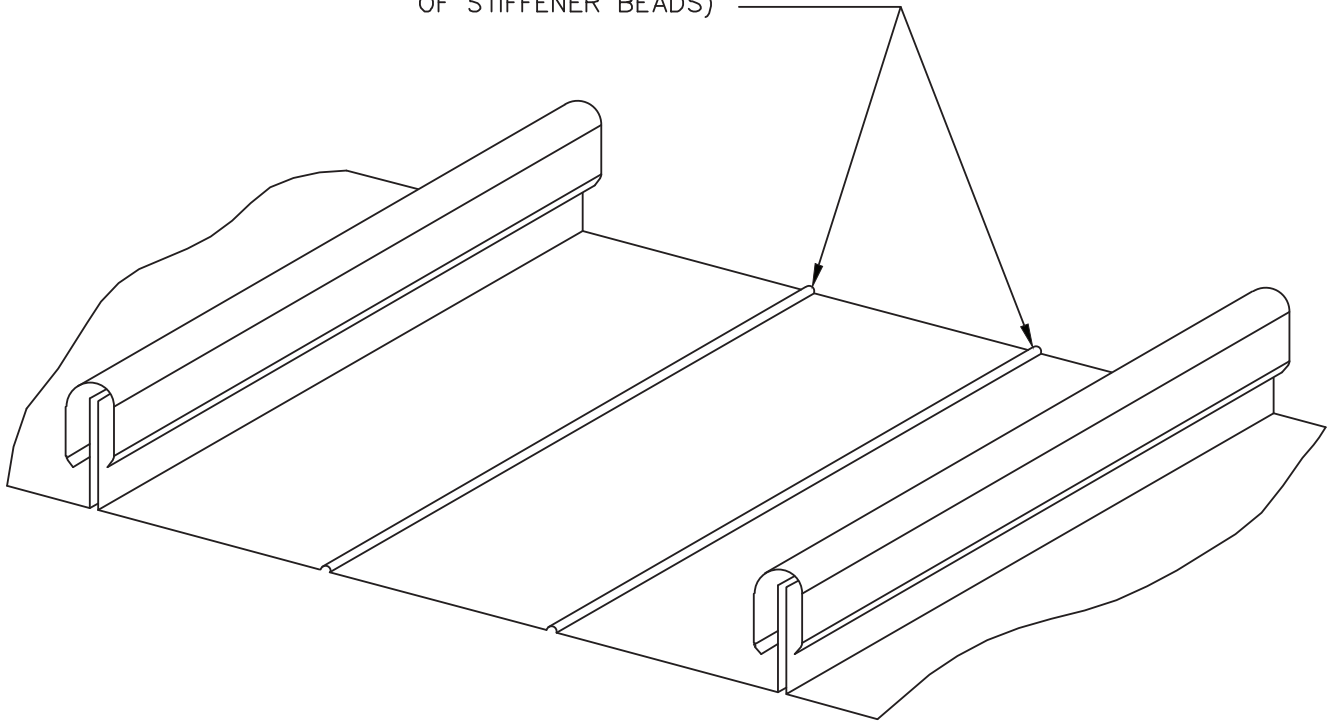


# PANEL CONDITIONS: W/ STIFFENER BEADS

HIGH SNAP-ON STANDING SEAM

TWO (2) STIFFENER BEADS  
(CHECK WITH LOCAL PLANT TO  
VERIFY MANUFACTURING  
CAPABILITIES REGARDING NUMBER  
OF STIFFENER BEADS)



HIGH SNAP-ON PANEL  
WITH STIFFENER BEADS  
ISOMETRIC VIEW

**PETERSEN ALUMINUM CORPORATION**

**PAC-CLAD.COM SALES@PETERSENMAIL.COM**

HQ: 1005 Tonne Road  
Elk Grove Village, IL 60007  
P: 800-PAC-CLAD  
F: 800-722-7150

9060 Junction Drive  
Annapolis Junction, MD 20701  
P: 800-344-1400  
F: 301-953-7627

10551 PAC Road  
Tyler, TX 75707  
P: 800-441-8661  
F: 903-581-8592

102 Northpoint Parkway  
Acworth, GA 30102  
P: 800-272-4482  
F: 770-420-2533

1800 S. 7th Ave., Suite 130  
Phoenix, AZ 85007  
P: 833-750-1935  
F: 602-254-6504

1885 Station Parkway NW, Suite B  
Andover, MN 55304  
P: 877-571-2025  
F: 866-901-2935