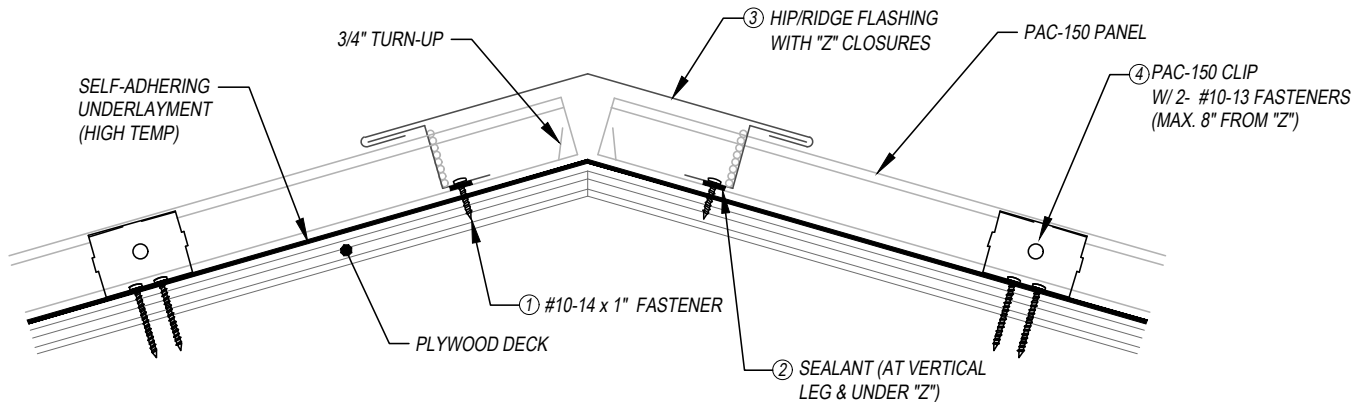


FLASHING COMPONENTS



KEYNOTES:

- TRIM FASTENERS ARE SELF-DRILL PANCAKE HEAD AND MUST BE INSTALLED IN A STAGGERED PATTERN.
 - CLIP AND FASTENER MATERIAL: GALVANIZED WHEN STEEL PANELS ARE UTILIZED; STAINLESS STEEL WHEN ALUMINUM PANELS ARE UTILIZED.
 - CLIP FASTENERS MUST BE OF SUFFICIENT LENGTH TO PENETRATE PLYWOOD DECK BY 5/8" MINIMUM THREAD LENGTH.
 - PLYWOOD DECK MUST BE A **MINIMUM OF 5/8" THICK.**
- ① "Z" COMPONENT
- MINIMUM HEIGHT: 1/8" CLEARANCE OF PANEL RIB
 - FASTENED AS FOLLOWS: 12" & 16" PANELS (4 FASTENERS PER PANEL MINIMUM); 18" PANELS (6 FASTENERS PER PANEL MINIMUM)
 - FASTENING LEG: 1 1/4" MINIMUM TOP LEG: 1 1/2" MINIMUM
 - "Z" MUST BE CUT TO TIGHT FIT OF PANEL DIMENSION: **1/8" MAXIMUM GAP**
- ② SEALANT
- TUBE OR TAPE SEALANT IS ACCEPTABLE BELOW THE "Z"
 - TUBE SEALANT PLACED AT BACKSIDE OF VERTICAL LEGS
 - 1" TAPE WIDTH OR 1/2" BEAD WIDTH PRIOR TO COMPRESSION
- ③ COVER: HEMMED 1" AND FULLY ENGAGED TO "Z" CLOSURE.
- ④ FIRST PANEL CLIP TO BE LOCATED A **MAXIMUM OF 8" FROM "Z" COMPONENT.**

Job Name _____ Contractor _____

Date _____ Notes _____

PETERSEN ALUMINUM CORPORATION

PAC-CLAD.COM SALES@PETERSENMAIL.COM

HQ: 1005 Tonne Road
Elk Grove Village, IL 60007
P: 800-PAC-CLAD
F: 800-722-7150

9060 Junction Drive
Annapolis Junction, MD 20701
P: 800-344-1400
F: 301-953-7627

10551 PAC Road
Tyler, TX 75707
P: 800-441-8661
F: 903-581-8592

102 Northpoint Parkway
Acworth, GA 30102
P: 800-272-4482
F: 770-420-2533

1800 S. 7th Ave., Suite 130
Phoenix, AZ 85007
P: 833-750-1935
F: 602-254-6504

1885 Station Parkway NW, Suite B
Andover, MN 55304
P: 877-571-2025
F: 866-901-2935