

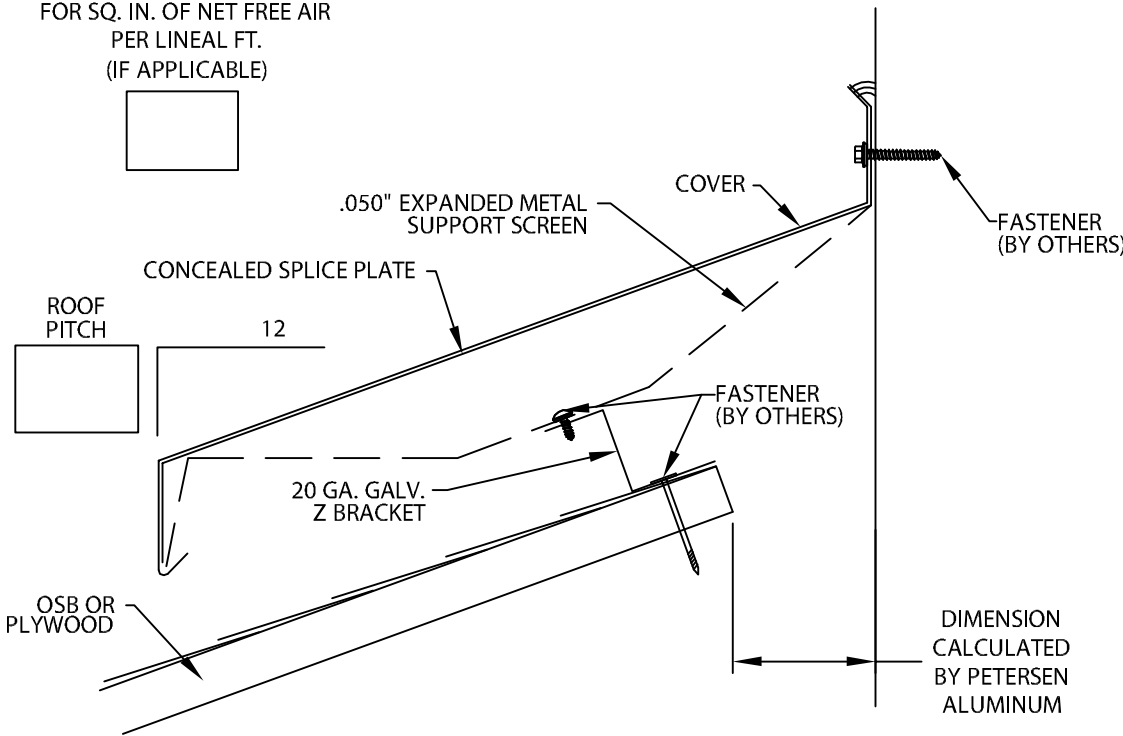
REFERENCE DETAIL:

PAC SS RIDGE VENT

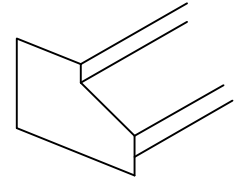
SLOPED ROOF MEETS HIGH WALL

U.S. PATENT # 7,823,343 B1

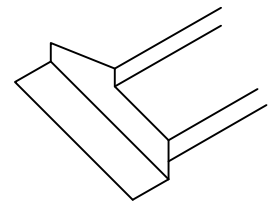
SPECIFICATION REQUIREMENT
FOR SQ. IN. OF NET FREE AIR
PER LINEAL FT.
(IF APPLICABLE)



ENDCAPS



STYLE A



STYLE B
(HIGH WALL OR ROOF
PENETRATION SUCH AS AT A
DORMER OR CHIMNEY)

SHINGLED ROOF SHOWN
IF STANDING SEAM CONDITON, PLEASE SUPPLY
HEIGHT OF STANDING SEAM

ACTUAL LINEAL
FOOTAGE OF RIDGE

ACTUAL LINEAL
FOOTAGE OF EAVE

COVER:

- 24 Ga. (.65 mm) Galv. Steel
- .040" (1.01 mm) Aluminum
- .050" (1.27 mm) Aluminum
- .063" (1.60 mm) Aluminum
- Other _____

Color: _____

Finish: _____

VENTILATION TYPE:

- Vented Nailbase _____ Air Space
- Attic _____ Attic Floor Square Footage
- _____ Ridge Beam Width If Applicable

QUANTITIES:

- _____ Lineal Feet (12'-0" (3.65 m) Lengths)
- _____ Right End Cap (12" (305 mm) Lengths) _____ Style A _____ Style B
- _____ Left End Cap (12" (305 mm) Lengths) _____ Style A _____ Style B

RIDGE VENT SHINGLED VERSION IS TO BE INSTALLED PER SPECIFICATIONS AND PETERSEN ALUMINUM'S INSTALLATION INSTRUCTIONS DWG #41124-12207

RIDGE VENT STANDING SEAM VERSION IS TO BE INSTALLED PER SPECIFICATIONS AND PETERSEN ALUMINUM'S INSTALLATION INSTRUCTIONS DWG #41124-14964

Fabrication will proceed only after receipt of signed print approval.

Print Approval:

Architect and/or contractor shall verify all dimensions, sizes and quantities. All products to be installed in strict accordance with Petersen Aluminum's printed instructions.

Approved by: _____

Date: _____

PROJECT:

ARCHITECT:

CONTRACTOR:

REPRESENTATIVE:



Phone: 800-323-1960
Fax: 800-722-7150
www.pac-clad.com
E-mail: info@pac-clad.com

DATE: 02/03/12

DRN BY: JJC

CKD BY: SAK

SHT.# ___ OF ___

DWG# 41024-12206

B