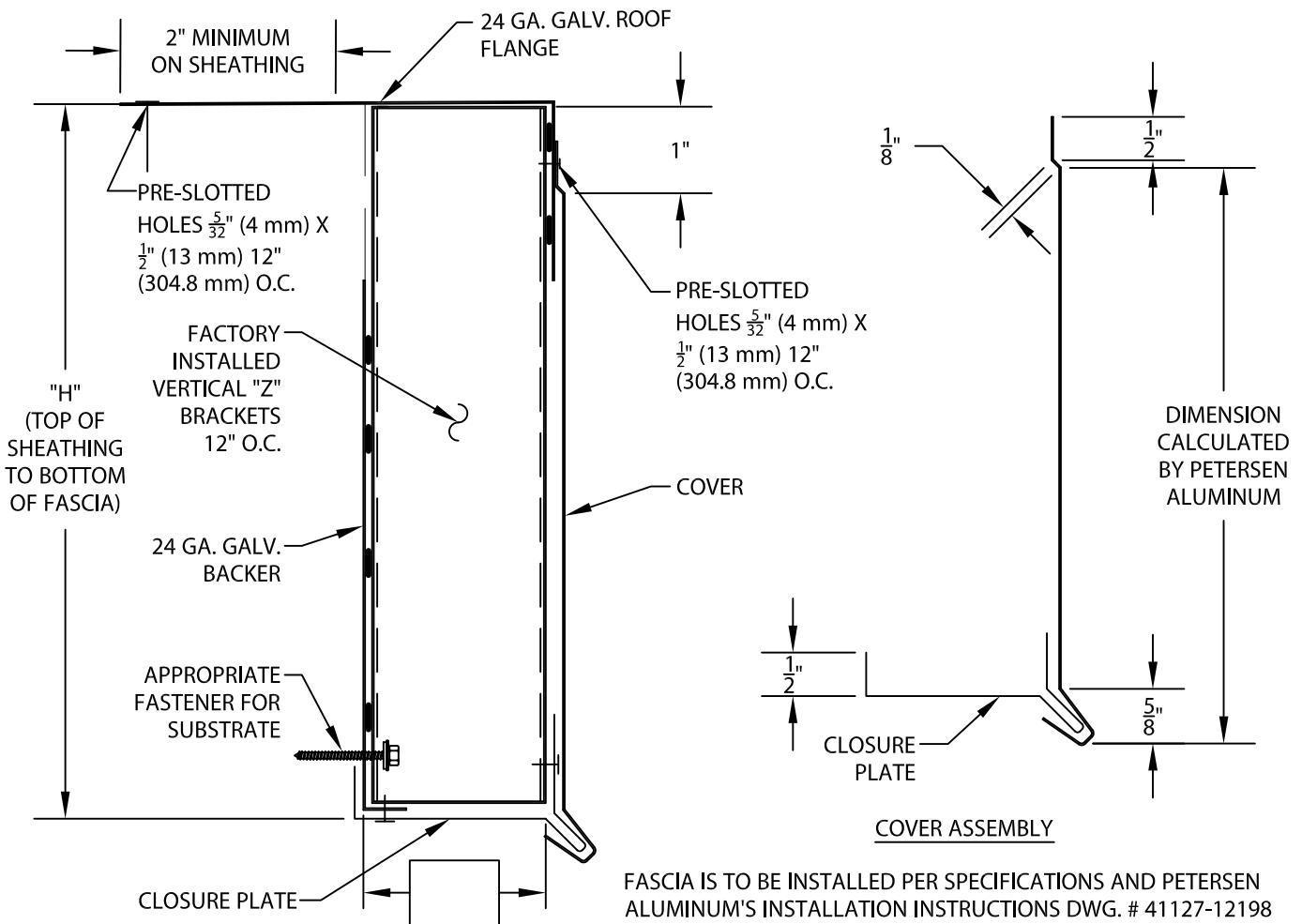


PAC SS RAKE FASCIA

WITH VERTICAL "Z" BRACKETS



FASCIA IS TO BE INSTALLED PER SPECIFICATIONS AND PETERSEN ALUMINUM'S INSTALLATION INSTRUCTIONS DWG. # 41127-12198

COVER:

<input type="checkbox"/> 24 Ga. (.65 mm) Galv. Steel*	<input type="checkbox"/> 22 Ga. (.81 mm) Galv. Steel
<input type="checkbox"/> .040" (1.01 mm) Aluminum*	<input type="checkbox"/> .050" (1.27 mm) Aluminum
<input type="checkbox"/> .063" (1.60 mm) Aluminum	<input type="checkbox"/> Other _____

* Coverages over 10" include 1/8" stiffening band (see dwg #41527-12189 for a reference)

Color: _____ Finish: _____

CLOSURE PLATE:

<input type="checkbox"/> 24 Ga. (.65 mm) Bone White	<input type="checkbox"/> 24 Ga. (.65 mm) Dark Bronze
<input type="checkbox"/> 24 Ga. (.65 mm) Sandstone	<input type="checkbox"/> 24 Ga. (.65 mm) Slate Gray

QUANTITIES:

_____ Lineal Feet (12'-0" (3.65 M) Lengths)

_____ Peak Miters

SEE ADDITIONAL PRINT APPROVAL FOR RAKE CONDITION

NOTE: ALL FASTENERS BY OTHERS (SEE INSTALLATION INSTRUCTIONS FOR RECOMMENDATIONS)
CLOSURE PLATE AND COVER SHIPPED LOOSE

"H" DIMENSION:

<input type="checkbox"/> 6" Coverage	<input type="checkbox"/> 8" Coverage	<input type="checkbox"/> 10" Coverage
<input type="checkbox"/> 12" Coverage*	<input type="checkbox"/> 14" Coverage*	<input type="checkbox"/> 16" Coverage*
<input type="checkbox"/> Other*: _____		

Fabrication will proceed only after receipt of signed print approval.

Print Approval:
Architect and/or contractor shall verify all dimensions, sizes and quantities. All products to be installed in strict accordance with Petersen Aluminum's printed instructions.

Approved by: _____

Date: _____

PROJECT: _____

ARCHITECT: _____

CONTRACTOR: _____

REPRESENTATIVE: _____

Phone: 800-323-1960
Fax: 800-722-7150
www.pac-clad.com
E-mail: info@pac-clad.com

PAC-CLAD
PETERSEN

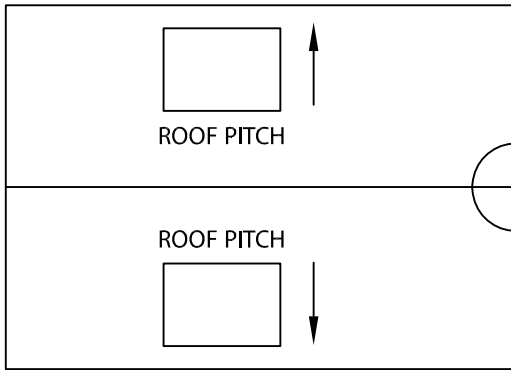
DATE: 8/3/10
DRN BY: MRK
CKD BY: SAK

SHT.# ____ OF ____
DWG# 41027-12197 **A**

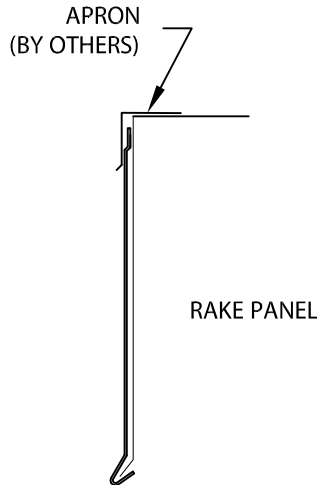
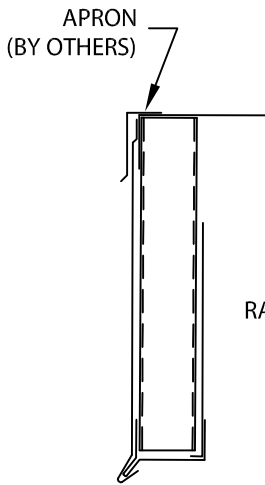
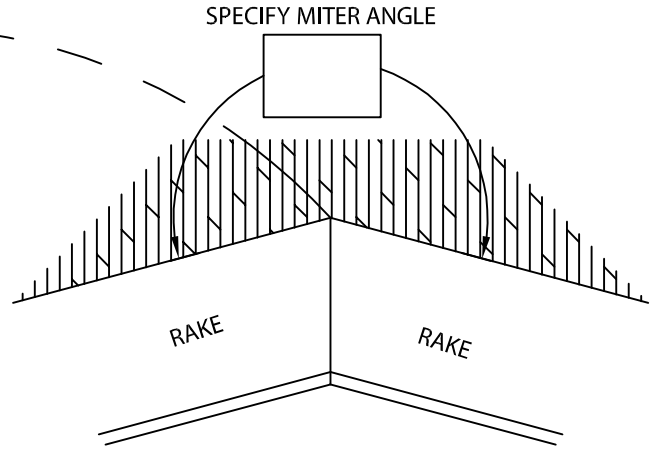
REFERENCE DETAIL:

PAC SS RAKE SYSTEM MITER

PEAK VERSION



GABLE ROOF PLAN



- SPECIFY REQUIRED CONDITION:
- RAKE FASCIA
 - RAKE PANEL

PETERSEN ALUMINUM CAN NOT BE RESPONSIBLE FOR OIL CANNING THAT MAY OCCUR IN LIGHT GAUGE MATERIALS ON LARGE FASCIA HEIGHTS - CALL FOR RECOMMENDATIONS

Fabrication will proceed only after receipt of signed print approval.

Print Approval:

Architect and/or contractor shall verify all dimensions, sizes and quantities. All products to be installed in strict accordance with Petersen Aluminum's printed instructions.

Approved by: _____

Date: _____

COVER:

- 24 Ga. (.65 mm) Galv. Steel*
- .040" (1.01 mm) Aluminum*
- .063" (1.60 mm) Aluminum
- 22 Ga. (.81 mm) Galv. Steel
- .050" (1.27 mm) Aluminum
- Other _____

Color: _____

Finish: _____

CLOSURE PLATE:

- 24 Ga. (.65 mm) Bone White
- 24 Ga. (.65 mm) Dark Bronze
- 24 Ga. (.65 mm) Sandstone
- 24 Ga. (.65 mm) Slate Gray
- Not Applicable (Rake Panel)

QUANTITIES:

_____ Peak Miters

PROJECT:

ARCHITECT:

CONTRACTOR:

REPRESENTATIVE:



Phone: 800-323-1960
 Fax: 800-722-7150
 www.pac-clad.com
 E-mail: info@pac-clad.com

DATE: 8/3/10

DRN BY: MRK

CKD BY: SAK

SHT.# ___ OF ___

DWG# 41018-12201

A