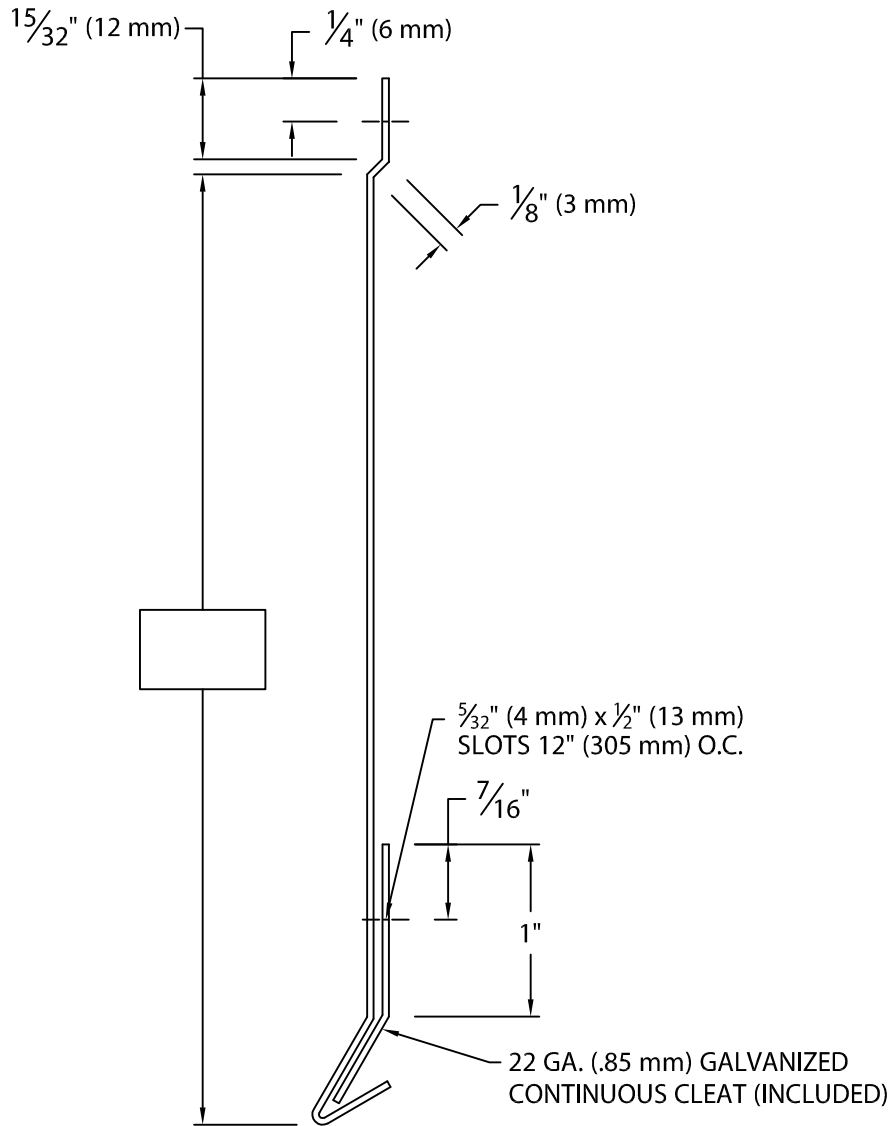


# ECO PAC EAVE VENT COVER



\* PROVIDED WITH 3 1/2" CONCEALED SPLICE PLATE ONLY, DUE TO MATERIAL THICKNESS

Fabrication will proceed only after receipt of signed print approval.

## Print Approval:

Architect and/or contractor shall verify all dimensions, sizes and quantities. All products to be installed in strict accordance with Petersen Aluminum's printed instructions.

Approved by: \_\_\_\_\_

Date: \_\_\_\_\_


### MATERIAL:

- |  |  |
|--|--|
| <input type="checkbox"/> 24 Ga. (.65 mm) Galv. Steel | <input type="checkbox"/> .040" (1.01 mm) Aluminum  |
| <input type="checkbox"/> .050" (1.27 mm) Aluminum*   | <input type="checkbox"/> .063" (1.60 mm) Aluminum* |
| <input type="checkbox"/> Other _____                 |  |

Color: \_\_\_\_\_ Finish: \_\_\_\_\_

QUANTITIES:  Lap Joint  Splice Plate

\_\_\_\_\_ Lineal Feet (12'-0" (3.65 m) Lengths)

PROJECT:	 Phone: 800-323-1960 Fax: 800-722-7150 www.pac-clad.com E-mail: info@pac-clad.com	
ARCHITECT:		
CONTRACTOR:	DATE: 11/18/10	SHT.# ____ OF ____
REPRESENTATIVE:	DRN BY: JJC	DWG# 41031-12756
	CKD BY: SAK	<b>A</b>