

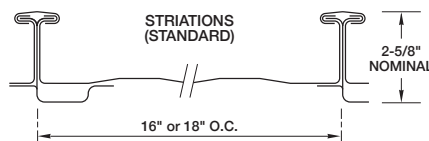
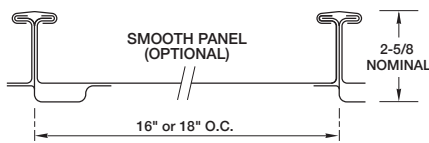
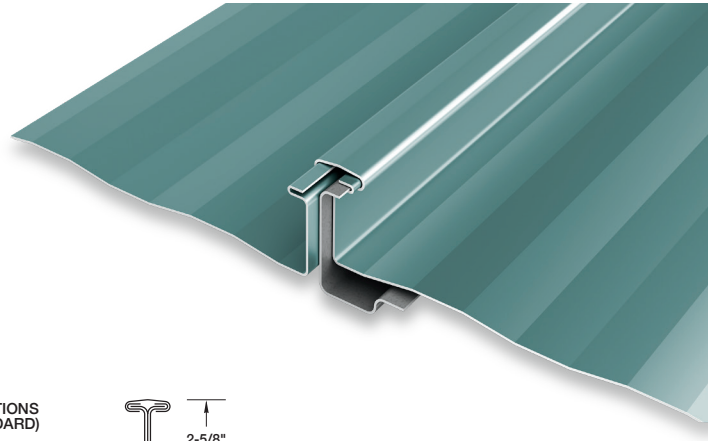
PAC T-250 PANEL

MATERIALS

.032 aluminum*	24 gauge steel*
.040 aluminum*	22 gauge steel*

SPECS

16" or 18" O.C.	2-5/8" nominal from deck
-----------------	-----------------------------



PRODUCT FEATURES

- ▶ Striations are standard
- ▶ Maximum factory-produced panel length is 54 ft. (check w/factory for longer lengths)
- ▶ Architectural/structural panel
- ▶ Factory-applied sealant in seam cover
- ▶ 30-year non-prorated finish warranty
- ▶ Field forming panels are available for long length requirements

- ▶ Weathertightness warranty available
- ▶ Continuous and/or intermittent clips
- ▶ Consult factory*

MATERIAL

- ▶ 43 stocked colors (24 gauge steel)
- ▶ 16 Stocked colors (22 gauge steel)
- ▶ 36 stocked colors (.032 aluminum)
- ▶ 22 stocked colors (.040 aluminum)
- ▶ Galvalume Plus available

TESTING

- ▶ T-250 Panel ASTM 283 & 331
- ▶ T-250 Panel ASTM 1680 & 1646
- ▶ T-250 Panel ASTM E1592
- ▶ T-250 Panel ASTM E2140
- ▶ T-250 Panel FM 4474
- ▶ UL 580
- ▶ UL 1897

* Not available in all locations. Consult PAC rep for availability.