

BOX RIB 4

PRECISION SERIES WALL PANELS

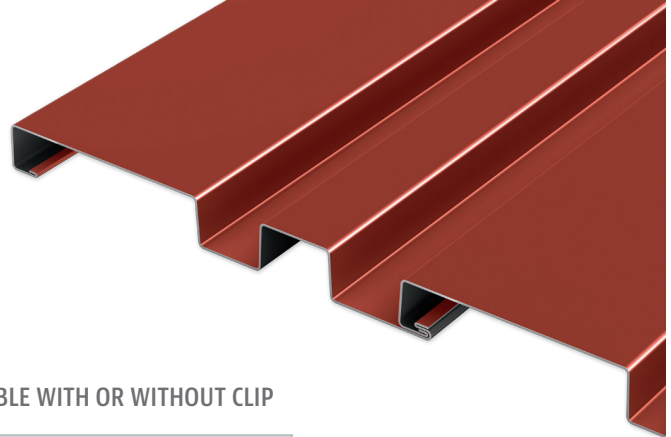
MATERIALS

.032 aluminum	24 gauge steel
.040 aluminum	22 gauge steel
.050 aluminum	

SPECS

12.853" Wide 1-3/8" High

Note: Minimum panel length is 4'



AVAILABLE WITH OR WITHOUT CLIP



PRODUCT FEATURES

- ▶ No-clip panel, or clip installation for expansion/contraction
- ▶ Panel depth 1-3/8" nominal
- ▶ Panel width of 12.853" nominal
- ▶ Cost-effective installation
- ▶ Horizontal or vertical orientation
- ▶ Panel length: 30' maximum for steel

- ▶ Panel length: 22' maximum for aluminum on the thru-fastened leg (no clip), longer lengths available on clip panels

MATERIALS

- ▶ 43 stocked colors (24 gauge steel)
- ▶ 16 stocked colors (22 gauge steel)
- ▶ 36 stocked colors (.032 aluminum)

- ▶ 22 stocked colors (.040 aluminum)
- ▶ 29 stocked colors (.050 aluminum)
- ▶ Galvalume Plus available

TESTS

- ▶ ASTM E 283
- ▶ ASTM E 331
- ▶ ASTM E 330
- ▶ ASTM E 1592

Note: Line drawings may not be to scale.