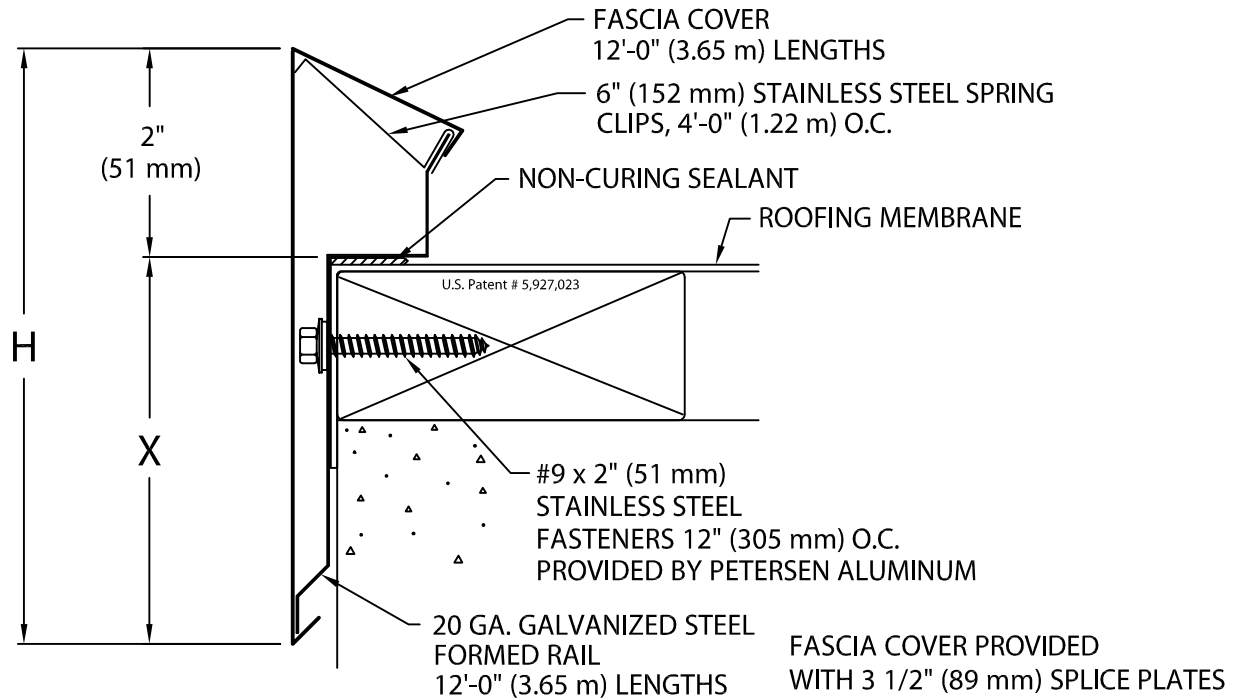


PAC SNAP EDGE

STONE BALLAST SINGLE-PLY VERSION

ANSI/SPRI ES-1 DESIGN PRESSURE OF 200 psf

.050" AND .063" MATERIAL



Fascia is to be installed per Specifications and Petersen Aluminum's Installation Instructions Dwg. # 41110-12275

PAC SNAP EDGE DIMENSIONS

PRODUCT ID. NO.	H DIM	X DIM	NAILER COVERAGE
<input type="checkbox"/> MEB-50	5" (130 mm)	3 7/8" (102 mm)	1 NAILERS
<input type="checkbox"/> MEB-65	6 1/2" (168 mm)	5 3/8" (140 mm)	2 NAILERS
<input type="checkbox"/> MEB-80	8" (206 mm)	6" (152 mm)	3 NAILERS

MATERIAL:

_____ .050" (1.27 mm) Alum.

_____ .063" (1.60 mm) Alum.

_____ OTHER _____

Color: _____

Finish: _____

Fabrication will proceed only after receipt of signed print approval.

Print Approval:

Architect and/or contractor shall verify all dimensions, sizes and quantities. All products to be installed in strict accordance with Petersen Aluminum's printed instructions.

Approved by: _____

Date: _____

QUANTITIES:

_____ Lineal Feet 12'-0" (3.65 m) Lengths

_____ Outside Miters @ (_____)°

_____ Inside Miters @ (_____)°

_____ Overflow Scupper Style ___A___B

_____ Spillout Scupper Style ___A___B

_____ Downspout Scupper Style ___A___B

(____X____) Size A: Tapered 1 1/2" (38 mm) Drop
B: Flat

PROJECT:

ARCHITECT:

ROOFING CONTRACTOR:

REPRESENTATIVE/DISTRIBUTOR:



Phone: 800-323-1960 Fax: 800-722-7150
www.pac-clad.com
e-mail: info@pac-clad.com

DATE: 08/09/10

DRN BY: JJC

CKD BY: SAK

SHT.# ___ OF ___

DWG# 41010-12274

A