

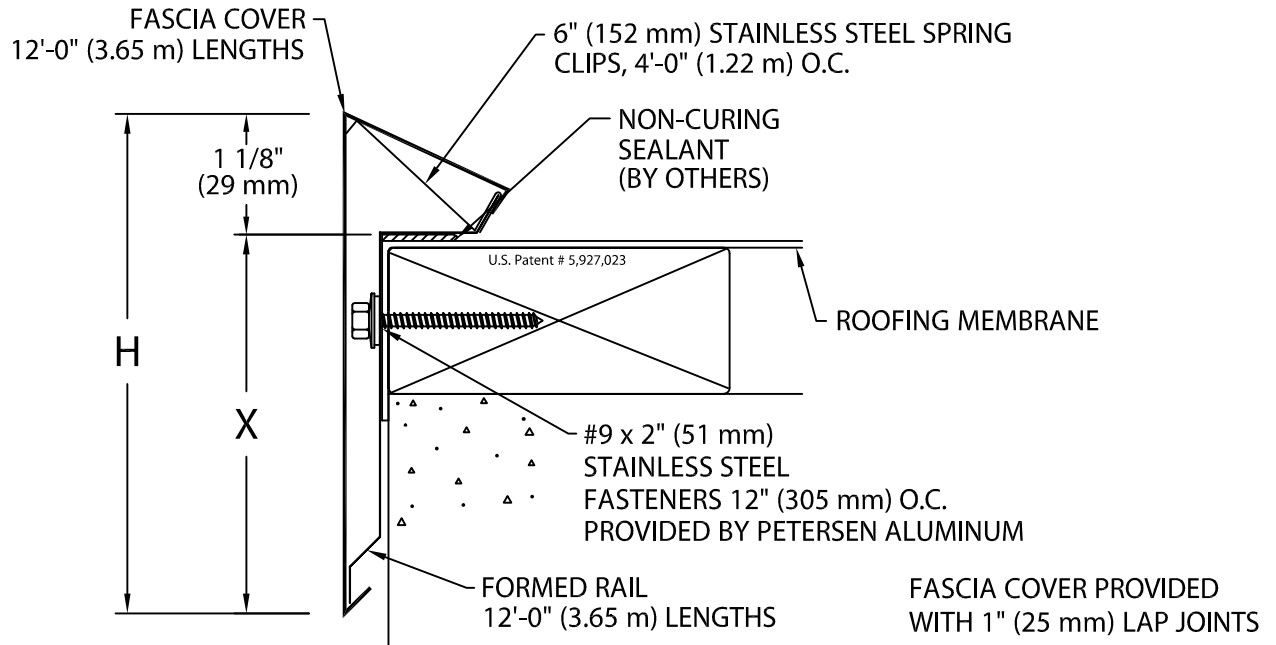


PAC SNAP EDGE

FULLY ADHERED OR MECHANICALLY ATTACHED SINGLE-PLY VERSION

ANSI/SPRI ES-1 DESIGN PRESSURE OF 200 psf

24 GA. AND .040" MATERIAL



Fascia is to be installed per Specifications and Petersen Aluminum's Installation Instructions Dwg. # 41110-12242

-- Formed Rail (FM approval requires .050" (1.27 mm) formed rail)
 Check one 20 Ga. (1.00 mm) Galv. Steel .050" (1.27 mm) Alum.

PAC SNAP EDGE DIMENSIONS

PRODUCT ID. NO.	H DIM	X DIM	NAILER COVERAGE
<input type="checkbox"/> ME-40	4" (102 mm)	2 7/8" (73 mm)	1 NAILER
<input type="checkbox"/> ME-50	5" (130 mm)	3 7/8" (102 mm)	2 NAILERS
<input type="checkbox"/> ME-65	6 1/2" (168 mm)	5 3/8" (140 mm)	3 NAILERS
<input type="checkbox"/> ME-80	8" (206 mm)	6 7/8" (178 mm)	4 NAILERS

MATERIAL:

___ 24 Ga. (.65 mm) Galv. Steel
 ___ .040" (1.01 mm) Aluminum
 ___ OTHER _____

Color: _____

Finish: _____

Fabrication will proceed only after receipt of signed print approval.

Print Approval:

Architect and/or contractor shall verify all dimensions, sizes and quantities. All products to be installed in strict accordance with Petersen Aluminum's printed instructions.

Approved by: _____

Date: _____

QUANTITIES:

_____ Lineal Feet 12'-0" (3.65 m) Lengths
 _____ Outside Miters @ (____°)
 _____ Inside Miters @ (____°)
 _____ Overflow Scupper Style ___A___B
 _____ Spillout Scupper Style ___A___B
 _____ Downspout Scupper Style ___A___B
 (____X____) Size A: Tapered 1 1/2" (38 mm) Drop
 B: Flat

PROJECT:

ARCHITECT:

ROOFING CONTRACTOR:

REPRESENTATIVE/DISTRIBUTOR:



Phone: 800-323-1960 Fax: 800-722-7150
 www.pac-clad.com
 e-mail: info@pac-clad.com

DATE: 08/04/11

DRN BY: JJC

CKD BY: SAK

SHT.# ___ OF ___

DWG# 41010-12241

B