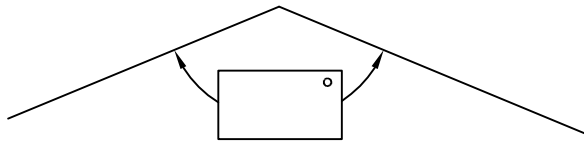


# NON 90° FASCIA MITERS

## OUTSIDE MITER - OBTUSE

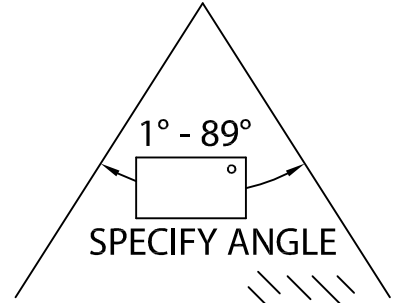


SPECIFY ANGLE 91° - 179°



- Standard Leg Lengths  
 Custom Leg Lengths \_\_\_\_\_ Qty \_\_\_\_\_

## OUTSIDE MITER - ACUTE



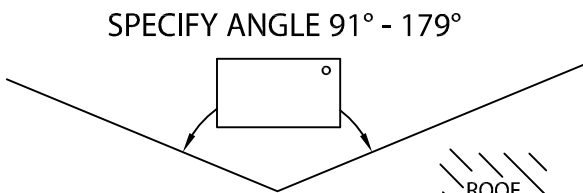
1° - 89°

SPECIFY ANGLE



- Standard Leg Lengths  
 Custom Leg Lengths \_\_\_\_\_ Qty \_\_\_\_\_

## INSIDE MITER - OBTUSE

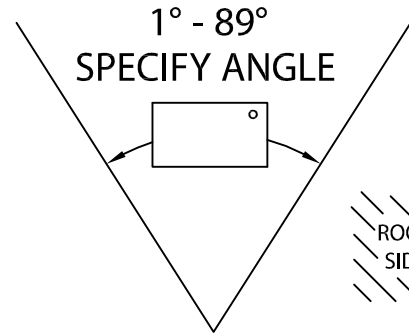


SPECIFY ANGLE 91° - 179°



- Standard Leg Lengths  
 Custom Leg Lengths \_\_\_\_\_ Qty \_\_\_\_\_

## INSIDE MITER - ACUTE



1° - 89°

SPECIFY ANGLE



- Standard Leg Lengths  
 Custom Leg Lengths \_\_\_\_\_ Qty \_\_\_\_\_

Fabrication will proceed only after receipt of signed print approval.

## Print Approval:

Architect and/or contractor shall verify all dimensions, sizes and quantities. All products to be installed in strict accordance with Petersen Aluminum's printed instructions.

Approved by: \_\_\_\_\_

Date: \_\_\_\_\_

## MATERIAL:

- \_\_\_ 24 Ga. (.65 mm) Galv.  
 \_\_\_ .040" (1.01 mm) Alum.  
 \_\_\_ .050" (1.27 mm) Alum.  
 \_\_\_ .063" (1.60 mm) Alum.  
 \_\_\_ OTHER \_\_\_\_\_

Color: \_\_\_\_\_

Finish: \_\_\_\_\_

## Please Indicate Fascia System:

- |  |   |
|--|---|
| <input type="checkbox"/> PAC-TITE Angular Fascia - Single-Ply      | <input type="checkbox"/> PAC-LOC Fascia 2000                  |
| <input type="checkbox"/> PAC-TITE Angular Fascia - Stone Ballast   | <input type="checkbox"/> PAC-LOC Fascia 3000                  |
| <input type="checkbox"/> PAC-TITE Angular Fascia - B.U.R./Mod.     | <input type="checkbox"/> PAC Snap Edge - Single-Ply           |
| <input type="checkbox"/> PAC-TITE WT Fascia - Single-Ply           | <input type="checkbox"/> PAC Snap Edge - Stone Ballast        |
| <input type="checkbox"/> PAC-TITE WT Fascia - B.U.R./Mod.          | <input type="checkbox"/> PAC Snap Edge - B.U.R./Mod.          |
| <input type="checkbox"/> PAC-TITE WT Extended Fascia - Single-Ply  | <input type="checkbox"/> PAC Extended Snap Edge - Single-Ply  |
| <input type="checkbox"/> PAC-TITE WT Extended Fascia - B.U.R./Mod. | <input type="checkbox"/> PAC Extended Snap Edge - B.U.R./Mod. |
| <input type="checkbox"/> PAC-TITE WT Canted Fascia                 |   |

PROJECT:

ARCHITECT:

ROOFING CONTRACTOR:

REPRESENTATIVE/DISTRIBUTOR:



Phone: 800-323-1960 Fax: 800-722-7150  
 www.pac-clad.com  
 e-mail: info@pac-clad.com

DATE: 07/23/10

DRN BY: JJC

CKD BY: SAK

SHT.# \_\_\_ OF \_\_\_

DWG# 41010-12108

A