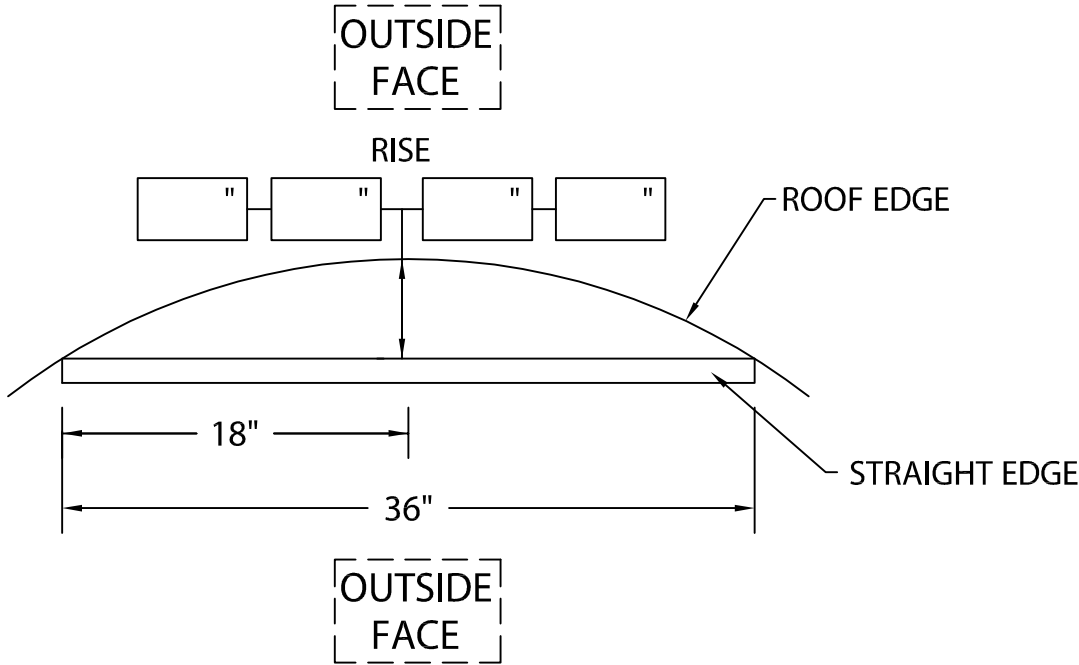


1. Using the 36" straight edge provided, set it against the wall (as illustrated).
2. Using the 12" rule provided, measure the distance (rise) from the edge of the yardstick at the 18" mark straight in to the face of the parapet.
3. Repeat steps 1 and 2 in several more areas along the arch. Record these measurements in the boxes provided. We will calculate the radius from these measurements.

NOTE! If the measured rise dimensions vary by $\frac{1}{2}$ " or over, call Engineering Dept. at 800-323-1960 for further instructions

4. Fill in the general information below and fax this sheet back to 800-722-7150.



PLAN VIEW

NOTE! INDICATE PROPER RADIUS CONDITION BY CIRCLING APPROPRIATE OUTSIDE FACE.

PROJECT:
ARCHITECT:
ROOFING CONTRACTOR:
REPRESENTATIVE/DISTRIBUTOR: