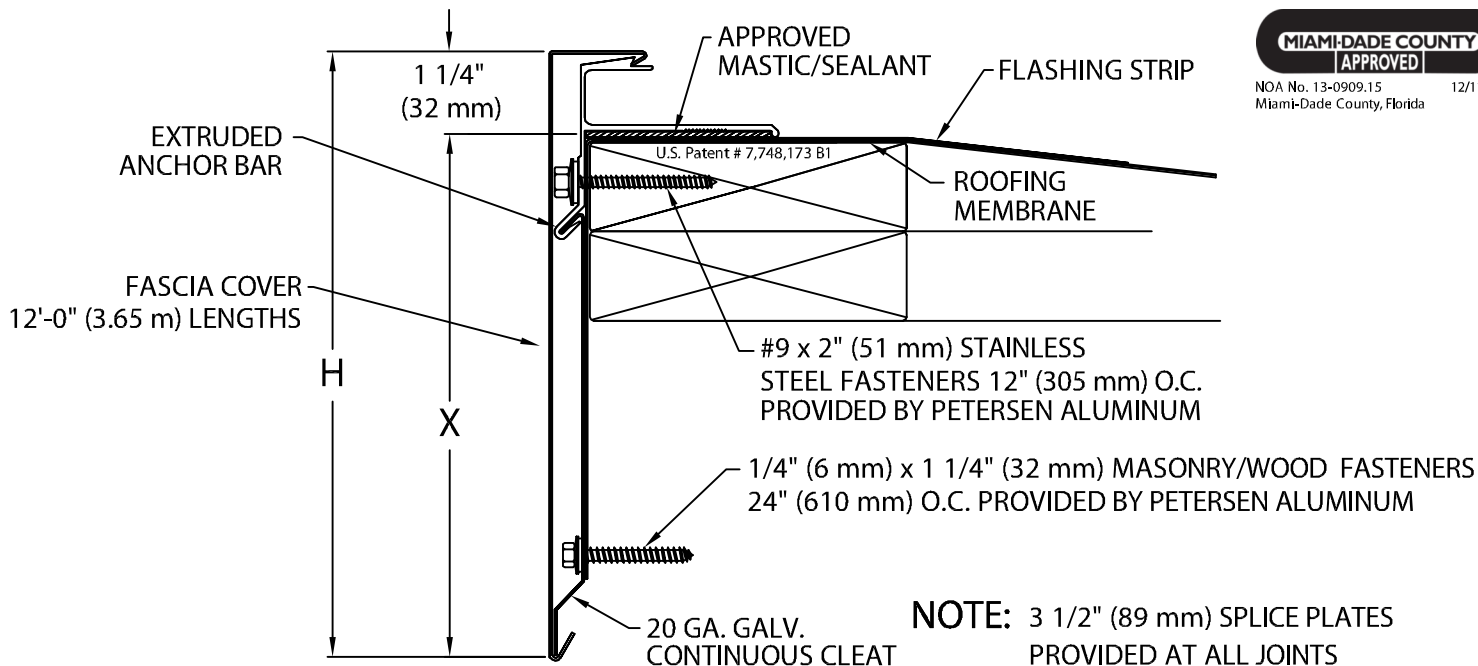




PAC-TITE WT EXTENDED FASCIA

BUILT-UP OR MODIFIED VERSION

ANSI/SPRI ES-1 DESIGN PRESSURE OF 190 psf



Fascia is to be installed per Specifications and Petersen Aluminum's Installation Instructions Dwg. # 41110-12152

PAC-TITE WT EXTENDED FASCIA DIMENSIONS

PRODUCT ID. NO.	H DIM	X DIM
<input type="checkbox"/> AEFM-85	8 1/2" (216 mm)	7 1/4" (184 mm)
<input type="checkbox"/> AEFM-100	10" (251 mm)	8 3/4" (222 mm)
<input type="checkbox"/> AEFM-115	11 1/2" (292 mm)	10 1/4" (260 mm)
<input type="checkbox"/> AEFM-130	13" (330 mm)	11 3/4" (298 mm)

Fabrication will proceed only after receipt of signed print approval.

Print Approval:

Architect and/or contractor shall verify all dimensions, sizes and quantities. All products to be installed in strict accordance with Petersen Aluminum's printed instructions.

Approved by: _____

Date: _____

MATERIAL:

___ .050" (1.27 mm) Aluminum
 ___ .063" (1.60 mm) Aluminum
 ___ OTHER _____
 Color: _____
 Finish: _____

QUANTITIES:

_____ Lineal Feet (12'-0" (3.65 m) Lengths)
 _____ Outside Miters @ (_____)°
 _____ Inside Miters @ (_____)°
 _____ Overflow Scupper Style ___A___B
 _____ Spillout Scupper Style ___A___B
 _____ Downspout Scupper Style ___A___B
 (___X___) Size A: Tapered 1 1/2" (38 mm) Drop
 B: Flat

PROJECT:

ARCHITECT:

ROOFING CONTRACTOR:

REPRESENTATIVE/DISTRIBUTOR:



Phone: 800-323-1960 Fax: 800-722-7150
 www.pac-clad.com
 e-mail: info@pac-clad.com

DATE: 12/17/13

DRN BY: JJC

CKD BY: SAK

SHT.# ___ OF ___

DWG# 41010-12151

C