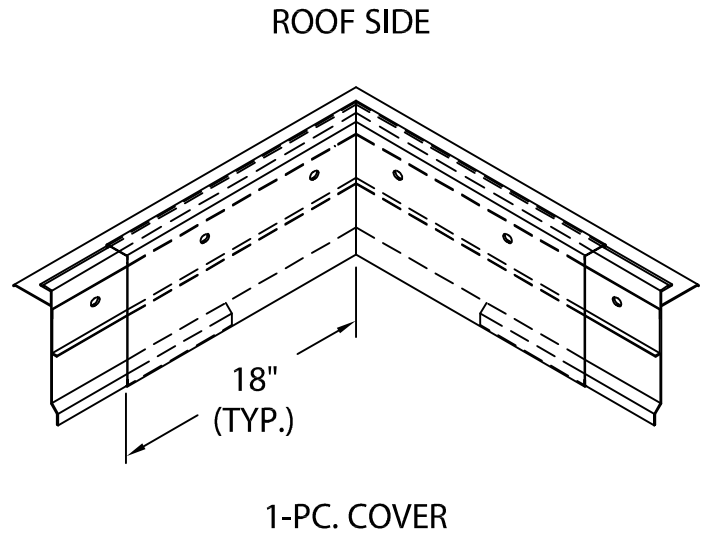
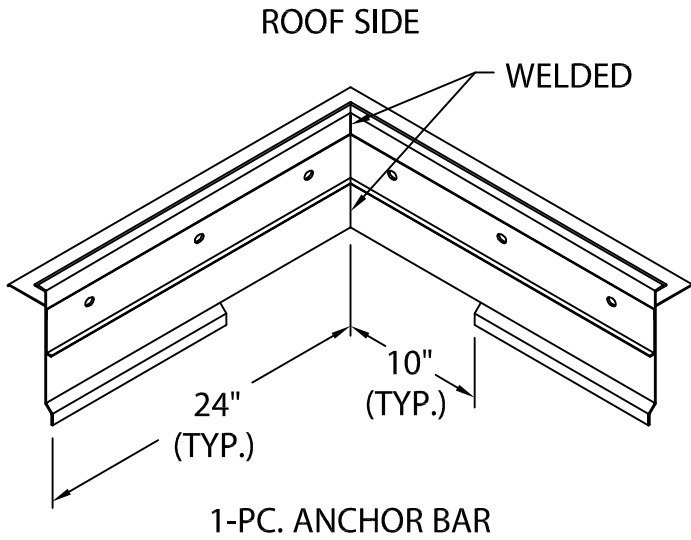


# PAC-TITE WT FASCIA

BUILT-UP OR MODIFIED VERSION

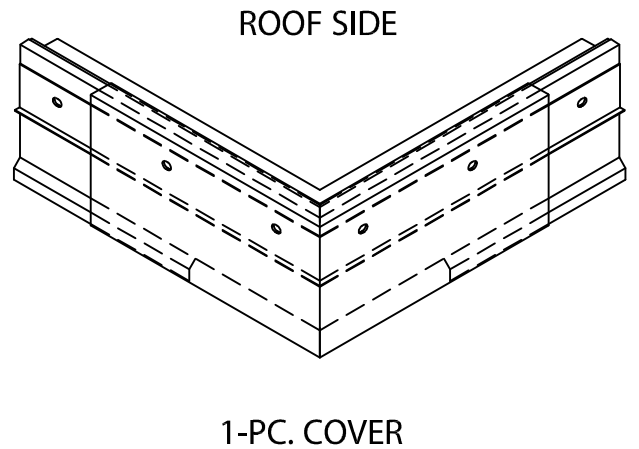
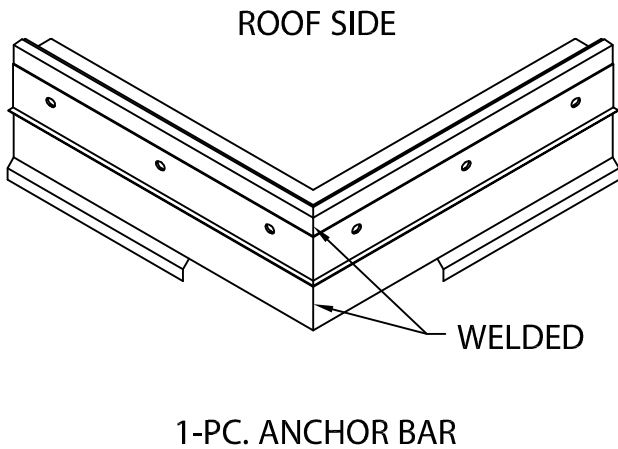
MITERS - FACTORY WELDED CONSTRUCTION

## INSIDE MITER



FASTENERS INCLUDED

## OUTSIDE MITER



NOTE: TREATED WOOD NAILERS REQUIRED.

PROJECT:

ARCHITECT:

ROOFING CONTRACTOR:

REPRESENTATIVE/DISTRIBUTOR:



Phone: 800-323-1960 Fax: 800-722-7150  
 www.pac-clad.com  
 e-mail: info@pac-clad.com

DATE: 07/23/10  
 DRN BY: JJC  
 CKD BY: SAK

SHT.# \_\_\_ OF \_\_\_  
 DWG# 41510-12135

A