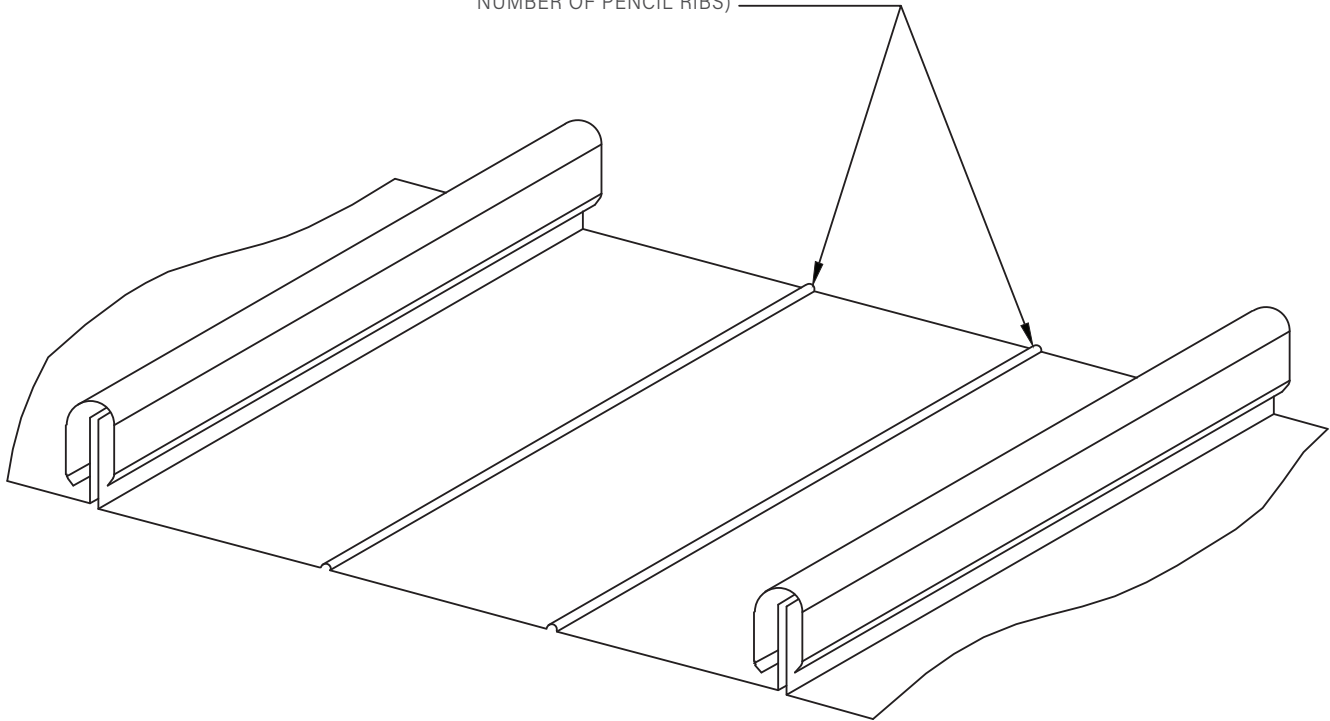


TWO (2) PENCIL RIBS
(CHECK WITH LOCAL PLANT
TO VERIFY MANUFACTURING
CAPABILITIES REGARDING
NUMBER OF PENCIL RIBS)



SNAP-ON PANEL
WITH PENCIL RIBS
ISOMETRIC VIEW