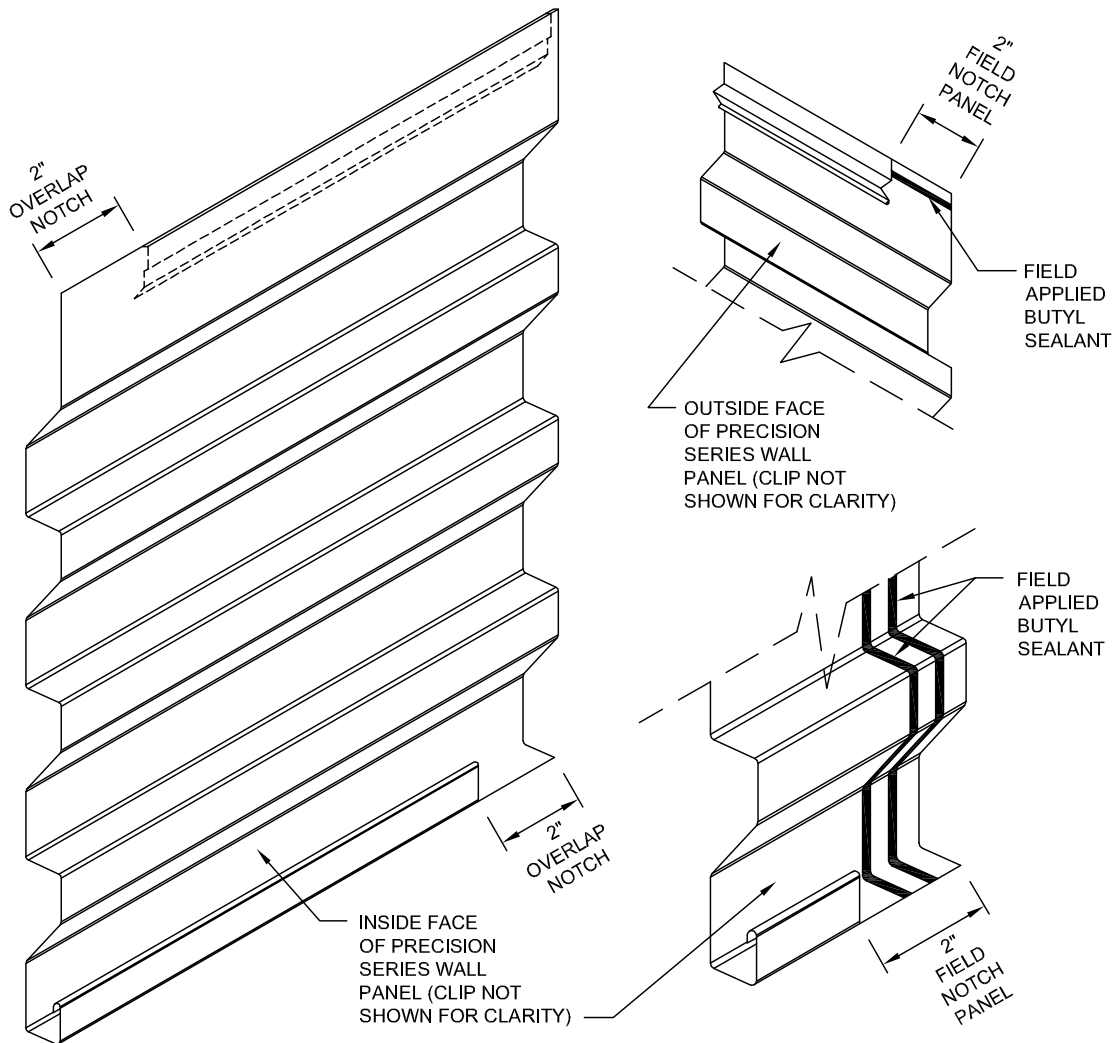


NOTES:

- This detail drawing also applies to PAC-CLAD Precision Series Highline and Box Rib panels.
- Panel dimensions that might appear on this document apply to HWP only.
- Consult PAC rep for assistance.



JOB NAME	NOTES
DATE	
CONTRACTOR	