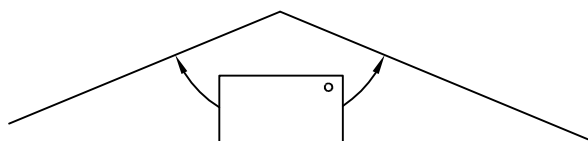


NON 90° FASCIA MITERS

OUTSIDE MITER - OBTUSE

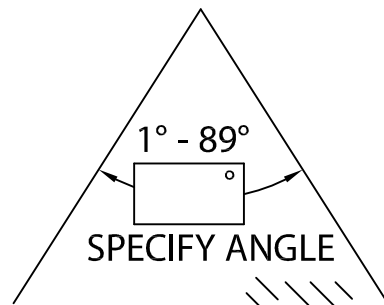


SPECIFY ANGLE 91° - 179°



- Standard Leg Lengths
 Custom Leg Lengths _____ Qty _____

OUTSIDE MITER - ACUTE



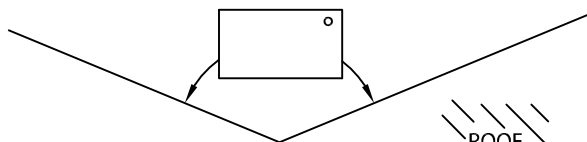
1° - 89°

SPECIFY ANGLE



- Standard Leg Lengths
 Custom Leg Lengths _____ Qty _____

INSIDE MITER - OBTUSE

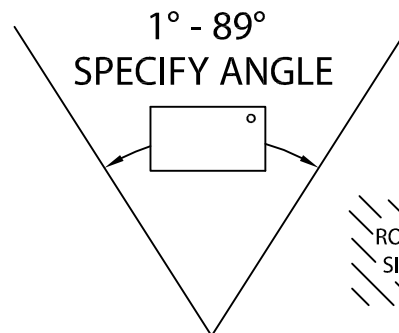


SPECIFY ANGLE 91° - 179°



- Standard Leg Lengths
 Custom Leg Lengths _____ Qty _____

INSIDE MITER - ACUTE



1° - 89°

SPECIFY ANGLE



- Standard Leg Lengths
 Custom Leg Lengths _____ Qty _____

Fabrication will proceed only after receipt of signed print approval.

Print Approval:

Architect and/or contractor shall verify all dimensions, sizes and quantities. All products to be installed in strict accordance with Petersen Aluminum's printed instructions.

Approved by: _____

Date: _____

MATERIAL:

- ___ 24 Ga. (.65 mm) Galv.
 ___ .040" (1.01 mm) Alum.
 ___ .050" (1.27 mm) Alum.
 ___ .063" (1.60 mm) Alum.
 ___ OTHER _____

Color: _____

Finish: _____

Please Indicate Fascia System:

- | | |
|--|---|
| <input type="checkbox"/> PAC-TITE Angular Fascia - Single-Ply | <input type="checkbox"/> PAC-LOC Fascia 2000 |
| <input type="checkbox"/> PAC-TITE Angular Fascia - Stone Ballast | <input type="checkbox"/> PAC-LOC Fascia 3000 |
| <input type="checkbox"/> PAC-TITE Angular Fascia - B.U.R./Mod. | <input type="checkbox"/> PAC Snap Edge - Single-Ply |
| <input type="checkbox"/> PAC-TITE WT Fascia - Single-Ply | <input type="checkbox"/> PAC Snap Edge - Stone Ballast |
| <input type="checkbox"/> PAC-TITE WT Fascia - B.U.R./Mod. | <input type="checkbox"/> PAC Snap Edge - B.U.R./Mod. |
| <input type="checkbox"/> PAC-TITE WT Extended Fascia - Single-Ply | <input type="checkbox"/> PAC Extended Snap Edge - Single-Ply |
| <input type="checkbox"/> PAC-TITE WT Extended Fascia - B.U.R./Mod. | <input type="checkbox"/> PAC Extended Snap Edge - B.U.R./Mod. |
| <input type="checkbox"/> PAC-TITE WT Canted Fascia | |

PROJECT:

ARCHITECT:

ROOFING CONTRACTOR:

REPRESENTATIVE/DISTRIBUTOR:



Phone: 800-323-1960 Fax: 800-722-7150
 www.pac-clad.com
 e-mail: info@pac-clad.com

DATE: 07/23/10

DRN BY: JJC

CKD BY: SAK

SHT.# ___ OF ___

DWG# 41010-12108

A