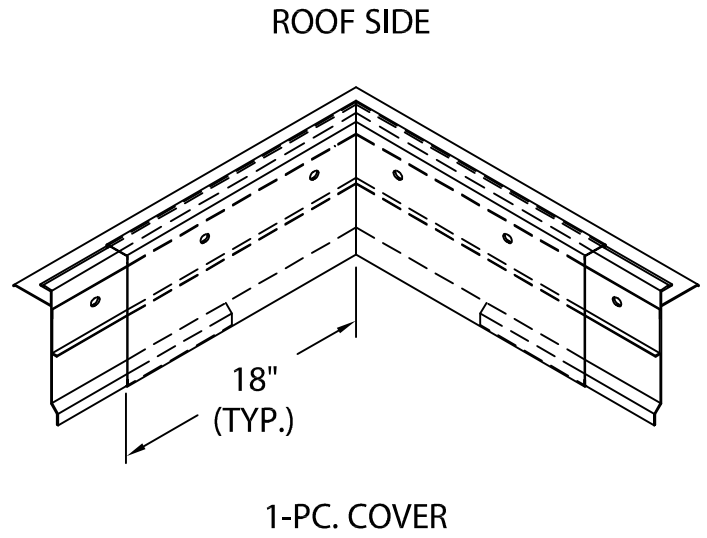
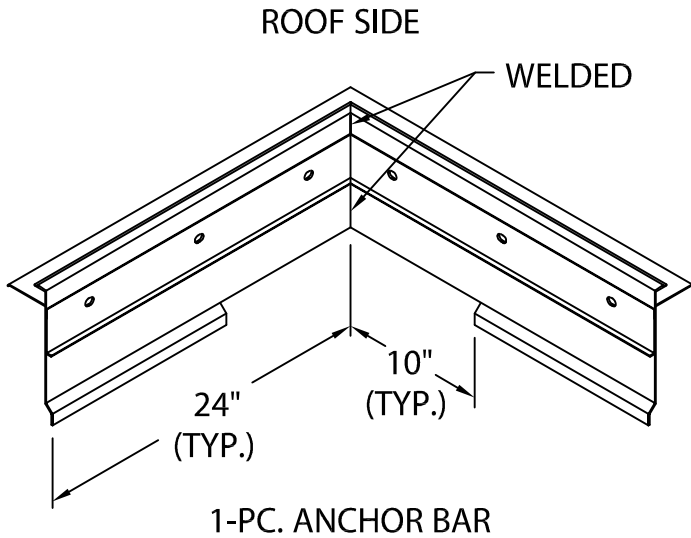


PAC-TITE WT FASCIA

BUILT-UP OR MODIFIED VERSION

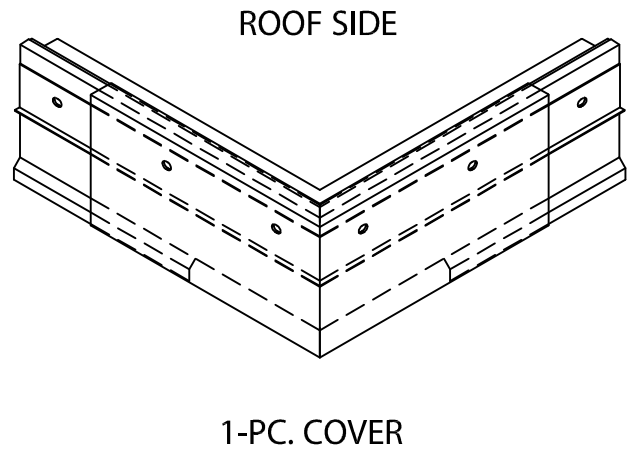
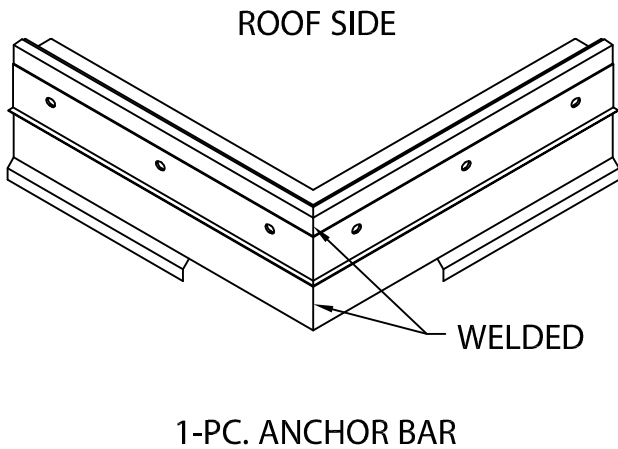
MITERS - FACTORY WELDED CONSTRUCTION

INSIDE MITER



FASTENERS INCLUDED

OUTSIDE MITER



NOTE: TREATED WOOD NAILERS REQUIRED.

PROJECT:

ARCHITECT:

ROOFING CONTRACTOR:

REPRESENTATIVE/DISTRIBUTOR:



Phone: 800-323-1960 Fax: 800-722-7150
 www.pac-clad.com
 e-mail: info@pac-clad.com

DATE: 07/23/10
 DRN BY: JJC
 CKD BY: SAK

SHT.# ___ OF ___
 DWG# 41510-12135

A