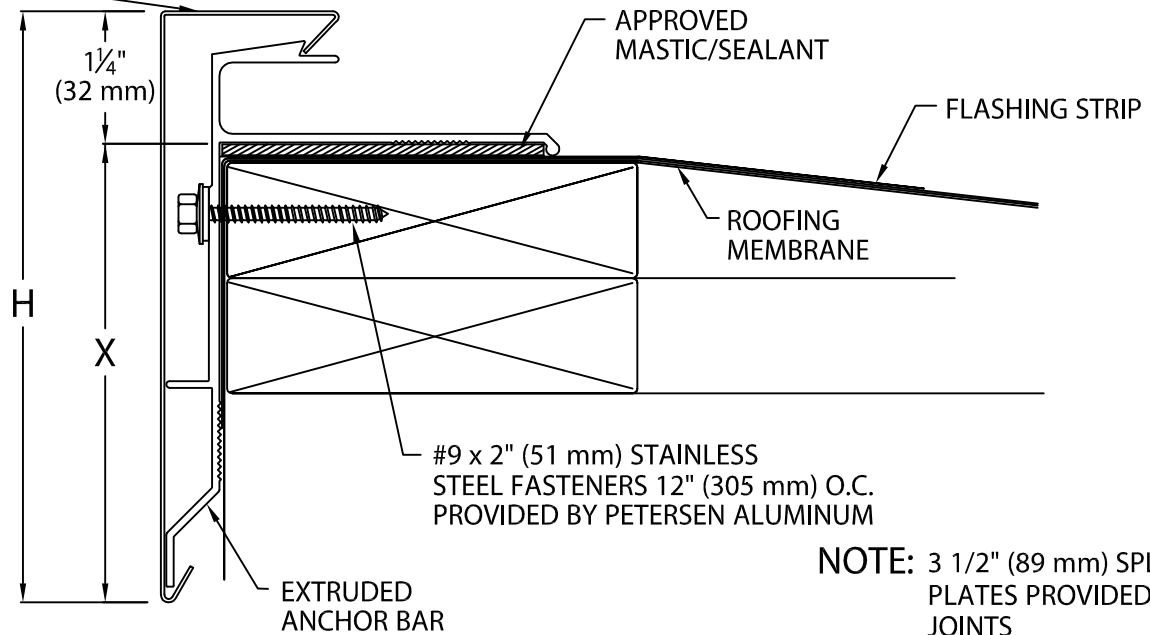


# PAC-TITE WT FASCIA

BUILT-UP OR MODIFIED VERSION

ANSI/SPRI ES-1 TESTED

FASCIA COVER  
12'-0" (3.65 m)  
LENGTHS



**NOTE:** 3 1/2" (89 mm) SPLICE  
PLATES PROVIDED AT ALL  
JOINTS

Fascia is to be installed per Specifications and Petersen Aluminum's Installation Instructions Dwg. # 41110-12134

## PAC-TITE WT FASCIA DIMENSIONS

PRODUCT ID. NO.	H DIM	X DIM	NAILER COVERAGE
<input type="checkbox"/> HG-AFM-55	5 1/2" (140 mm)	4 1/4" (108 mm)	2 NAILERS
<input type="checkbox"/> HG-AFM-70	7" (178 mm)	5 3/4" (146 mm)	3 NAILERS

Fabrication will proceed only after receipt of signed print approval.

## Print Approval:

Architect and/or contractor shall verify all dimensions, sizes and quantities. All products to be installed in strict accordance with Petersen Aluminum's printed instructions.

Approved by: \_\_\_\_\_

Date: \_\_\_\_\_

## MATERIAL:

\_\_\_\_ .050" (1.27 mm) Aluminum  
\_\_\_\_ .063" (1.60 mm) Aluminum  
\_\_\_\_ OTHER \_\_\_\_\_

Color: \_\_\_\_\_

Finish: \_\_\_\_\_

## QUANTITIES:

\_\_\_\_\_ Lineal Feet 12'-0" (3.65 m) Lengths

\_\_\_\_\_ Outside Miters @ (\_\_\_\_)°

\_\_\_\_\_ Inside Miters @ (\_\_\_\_)°

\_\_\_\_\_ Overflow Scupper Style \_\_\_\_A\_\_\_\_B

\_\_\_\_\_ Spillout Scupper Style \_\_\_\_A\_\_\_\_B

\_\_\_\_\_ Downspout Scupper Style \_\_\_\_A\_\_\_\_B

(\_\_\_\_X\_\_\_\_) Size A: Tapered 1 1/2" (38 mm) Drop  
B: Flat

PROJECT:

ARCHITECT:

ROOFING CONTRACTOR:

REPRESENTATIVE/DISTRIBUTOR:



Phone: 800-323-1960 Fax: 800-722-7150  
www.pac-clad.com  
e-mail: info@pac-clad.com

DATE: 07/23/10

DRN BY: JJC

CKD BY: SAK

SHT.# \_\_\_\_ OF \_\_\_\_

DWG# 41010-12133

A