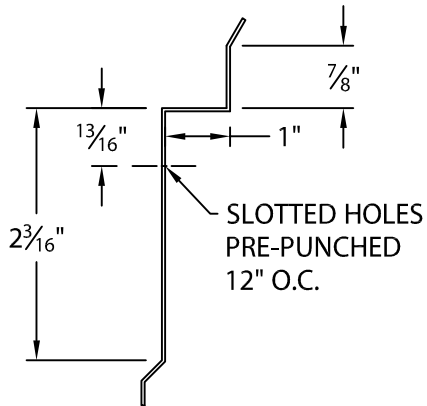
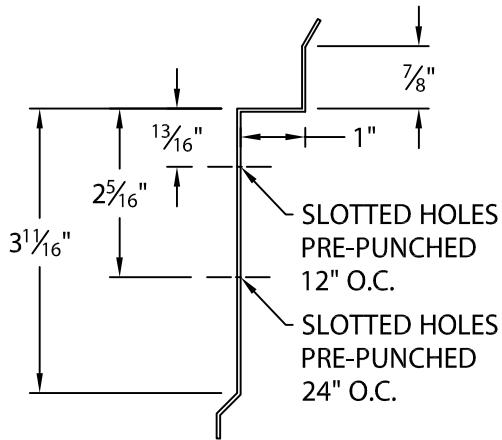
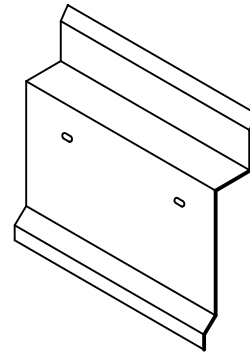


PAC SNAP EDGE

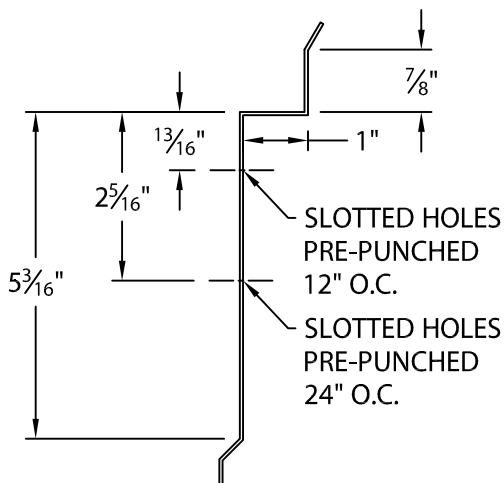
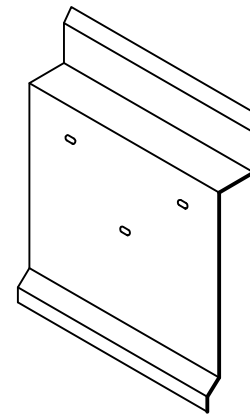
STONE BALLAST SINGLE-PLY VERSION
FORMED RAIL DETAILS



MEB-50



MEB-65



MEB-80

