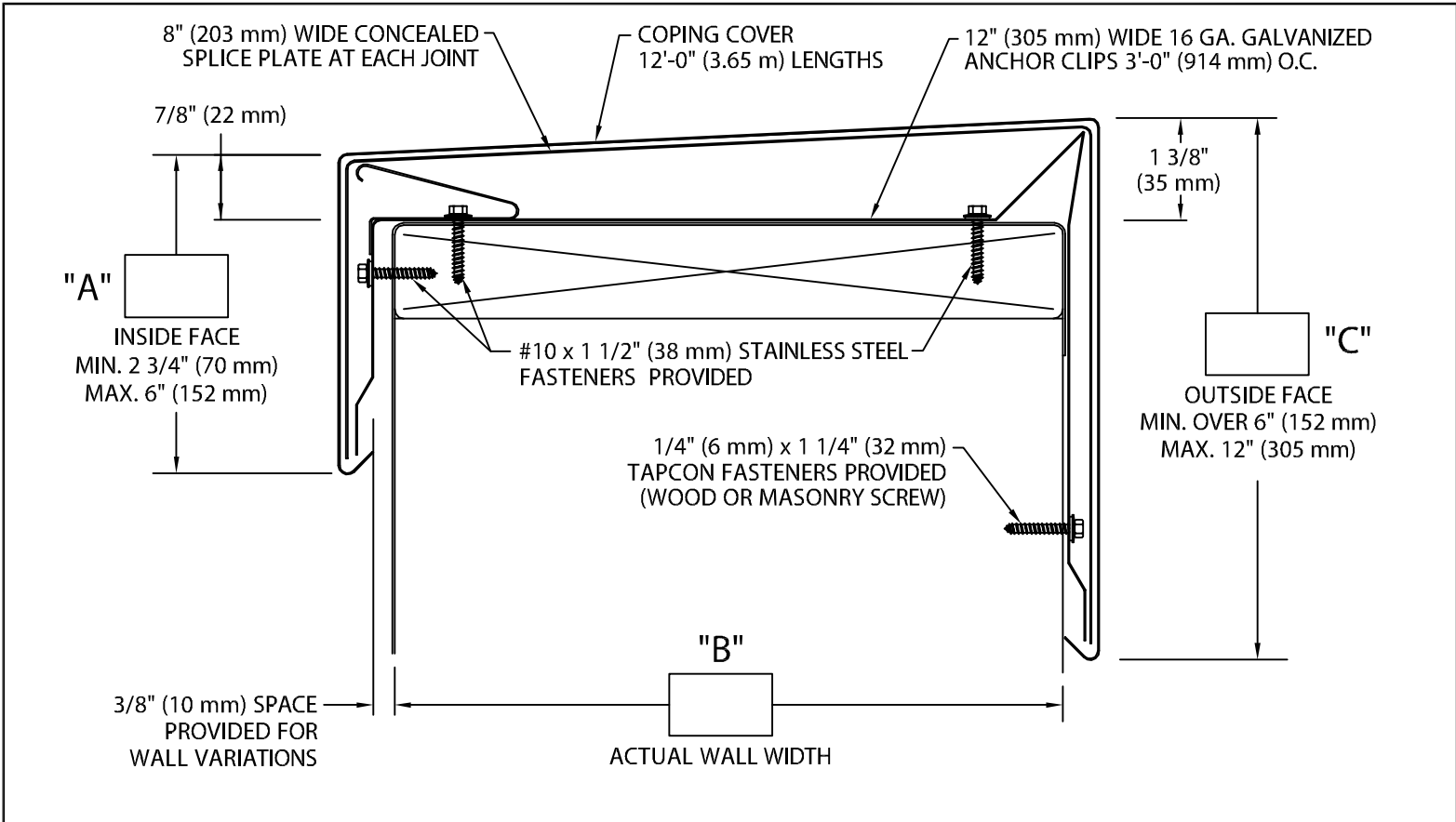


PAC-TITE GOLD COPING

OVER 6" TO 12" FACE HEIGHT TAPERED VERSION

UP TO 16" WALL ANSI/SPRI ES-1 DESIGN PRESSURE OF 180 psf



-- Concealed splice plates are provided with factory applied dual non-curing sealant strips.
 -- Unless otherwise noted, fabrication of miters and accessories are furnished standard utilizing a non-penetrating quicklock joint, then factory sealed watertight.

-- Welded Miters and Accessories
 Check one Required (surcharge) Not applicable

Fabrication will proceed only after receipt of signed print approval.

Print Approval:

Architect and/or contractor shall verify all dimensions, sizes and quantities. All products to be installed in strict accordance with Petersen Aluminum's printed instructions.

Approved by: _____

Date: _____

MATERIAL:

___ 24 Ga. (0.65 mm) Galv.
 ___ .040" (1.01 mm) Alum.
 ___ .050" (1.27 mm) Alum. Color: _____
 ___ .063" (1.60 mm) Alum. Finish: _____
 ___ OTHER _____

QUANTITIES:

_____ Lineal Feet 12'-0" (3.65 m) Lengths
 _____ Outside Miters @ (_____)°
 _____ Inside Miters @ (_____)°
 _____ Right End Caps
 _____ Left End Caps

PROJECT:

ARCHITECT:

ROOFING CONTRACTOR:

REPRESENTATIVE/DISTRIBUTOR:



Phone: 800-323-1960 Fax: 800-722-7150
 www.pac-clad.com
 e-mail: info@pac-clad.com

DATE: 04/26/13

DRN BY: JJC

CKD BY: SAK

SHT.# ____ OF ____

DWG# 41011-17668

A