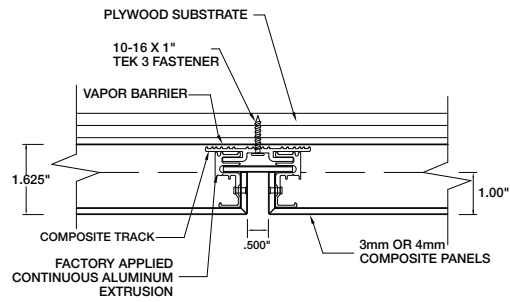
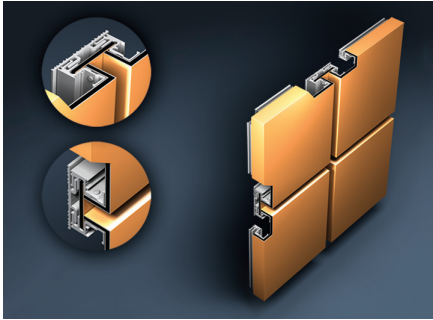
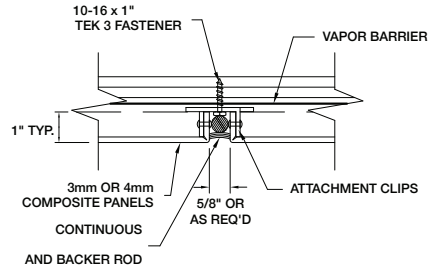
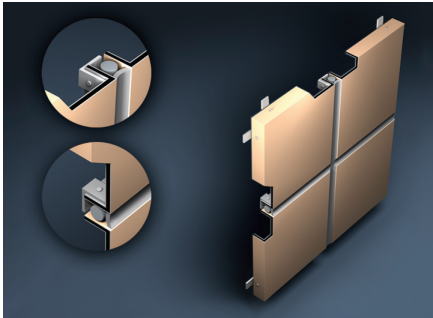


COMPOSITE WALL PANELS

PAC-3000 RS



PAC-3000 CS



PRODUCT FEATURES

- ▶ Available in a wide variety of colors and finishes (Standard color guide does not apply: consult Petersen rep for color options.)
- ▶ Precise fabrication to meet exacting tolerances
- ▶ Rout-and-return fabrication
- ▶ Welded corners available

MATERIALS

- ▶ 3mm, 4mm, 6mm - composite
- ▶ .063 - .125 Mill Finish Aluminum
- ▶ Zinc
- ▶ Stainless steel
- ▶ Anodized aluminum

ASTM

- ▶ ASTM E283*
 - ▶ ASTM E330*
 - ▶ ASTM E331*
- * Composite material only