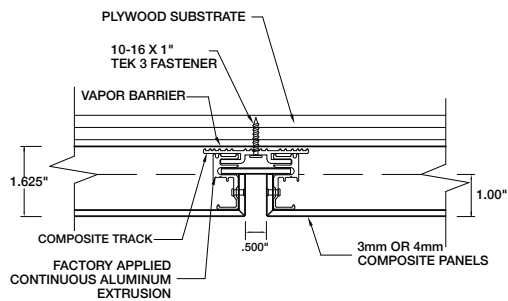
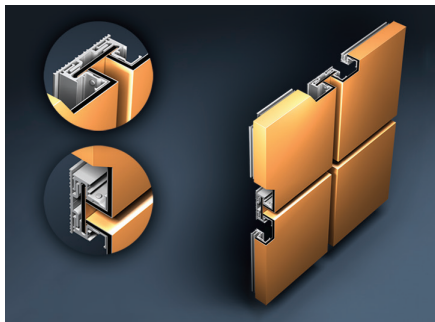
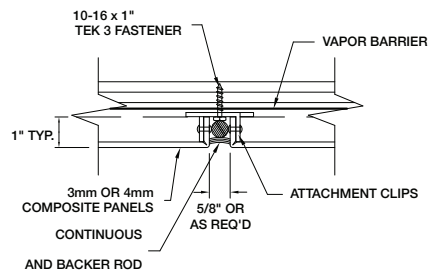
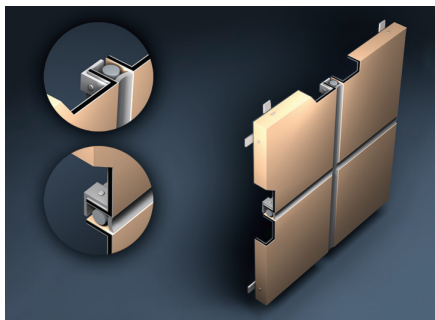


# COMPOSITE WALL PANELS

## PAC-3000 RS



## PAC-3000 CS



### PRODUCT FEATURES

- ▶ Available in a wide variety of non-PAC-CLAD colors and finishes
- ▶ Consult Petersen rep for color options (extra fee applies for PAC-CLAD colors)
- ▶ Precise fabrication to meet exacting tolerances
- ▶ Rout-and-return fabrication
- ▶ Welded corners available

### MATERIALS

- ▶ 3mm, 4mm, 6mm – Composite
- ▶ .063 - .125 Mill Finish Aluminum
- ▶ Zinc
- ▶ Stainless steel
- ▶ Anodized aluminum

### TESTS

- ▶ ASTM E283\*
  - ▶ ASTM E330\*
  - ▶ ASTM E331\*
- \* Composite material only