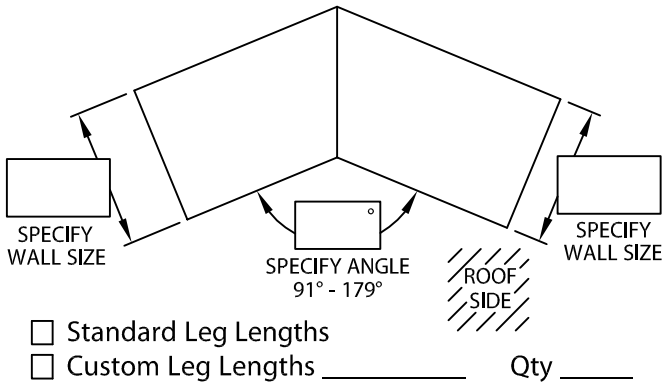


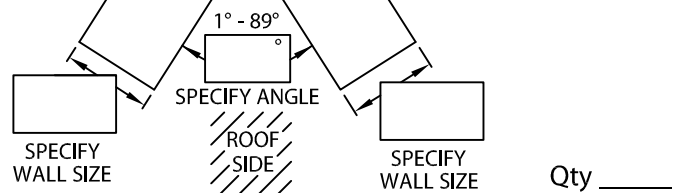
# NON 90° COPING MITERS

## OUTSIDE MITER - OBTUSE

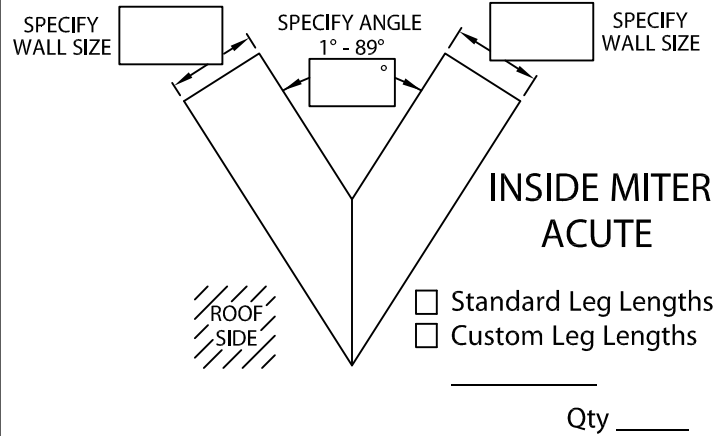
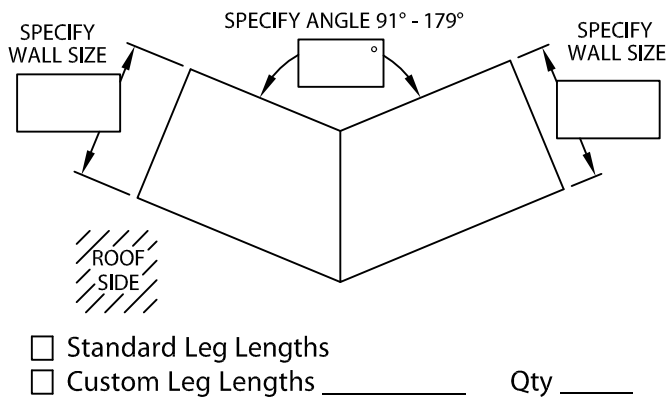


- Standard Leg Lengths
- Custom Leg Lengths \_\_\_\_\_

## OUTSIDE MITER ACUTE



## INSIDE MITER - OBTUSE



**NOTES:** -- Concealed splice plates are provided with factory applied dual non-curing sealant strips.

-- Unless otherwise noted, fabrication of miters and accessories are furnished standard utilizing a non-penetrating quicklock joint, then factory sealed watertight.  
 -- Welded Miters and Accessories  
 Check one  Required (surcharge)  Not applicable

Fabrication will proceed only after receipt of signed print approval.

## Print Approval:

Architect and/or contractor shall verify all dimensions, sizes and quantities. All products to be installed in strict accordance with Petersen Aluminum's printed instructions.

Approved by: \_\_\_\_\_

Date: \_\_\_\_\_

## MATERIALS:

- \_\_\_ 24 Ga. (.65 mm) Steel
- \_\_\_ .040" (1.01 mm) Alum. Color: \_\_\_\_\_
- \_\_\_ .050" (1.27 mm) Alum. Finish: \_\_\_\_\_
- \_\_\_ .063" (1.60 mm) Alum.
- \_\_\_ Other \_\_\_\_\_

- PAC-TITE Coping
- PAC-Continuous Cleat Coping
- Tapered  Flat

PROJECT:

ARCHITECT:

ROOFING CONTRACTOR:

REPRESENTATIVE/DISTRIBUTOR:



Phone: 800-323-1960 Fax: 800-722-7150  
 www.pac-clad.com  
 e-mail: info@pac-clad.com

DATE: 10/15/10  
 DRN BY: JJC  
 CKD BY: SAK

SHT.# \_\_\_ OF \_\_\_  
 DWG# 41011-12586

A