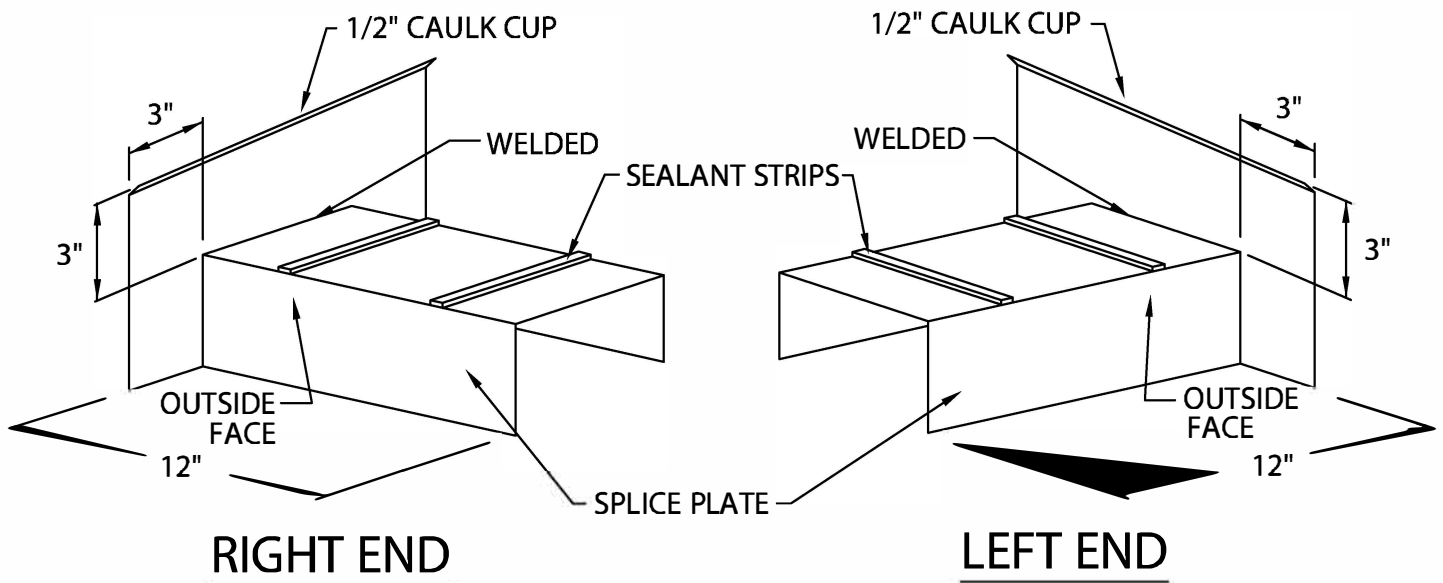
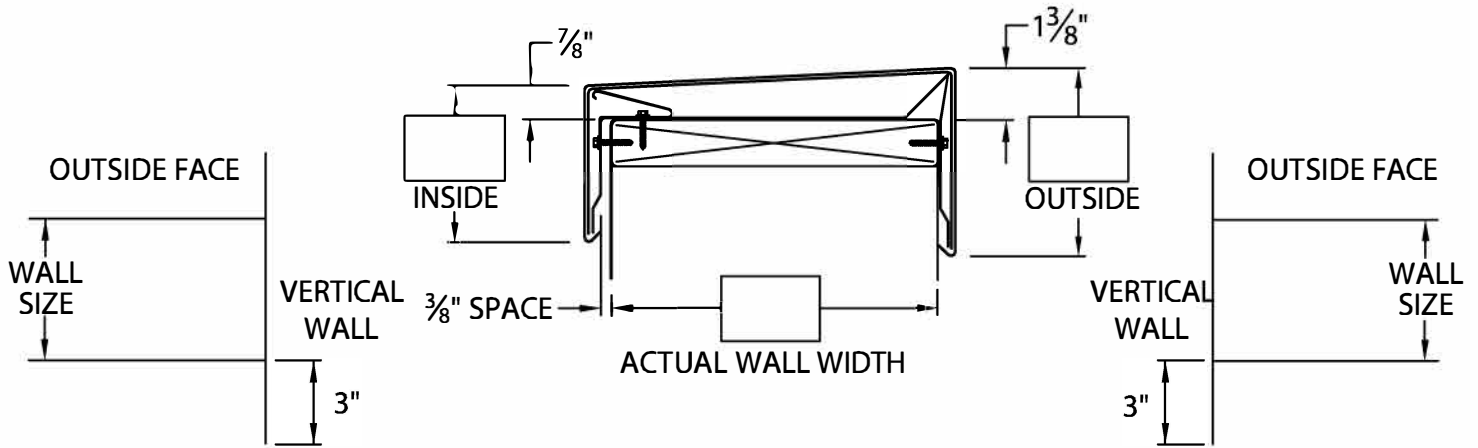


PAC-TITE GOLD COPING ENDWALL FLASHING

SPLICE PLATE VERSION



DIRECTION IS DETERMINED AS SEEN FROM ROOF SIDE

MATERIAL: COLOR: _____
 .040" ALUMINUM FINISH: _____

QUANTITIES:
 _____ RIGHT END FLASHING
 _____ LEFT END FLASHING

AUTHORIZED SIGNATURE:
 APPROVED BY: _____
 DATE: _____

PROJECT: _____
 ARCHITECT: _____
 ROOFING CONTRACTOR: _____
 REPRESENTATIVE/DISTRIBUTOR: _____

DATE: 03/04/15 SHT.# _____ OF _____
 DRN BY: JJC
 CKD BY: SAK DWG# 41011-21336



PHONE: 800-323-1960 FAX: 800-722-7150
 WWW.PAC-CLAD.COM
 E-MAIL: INFO@PAC-CLAD.COM