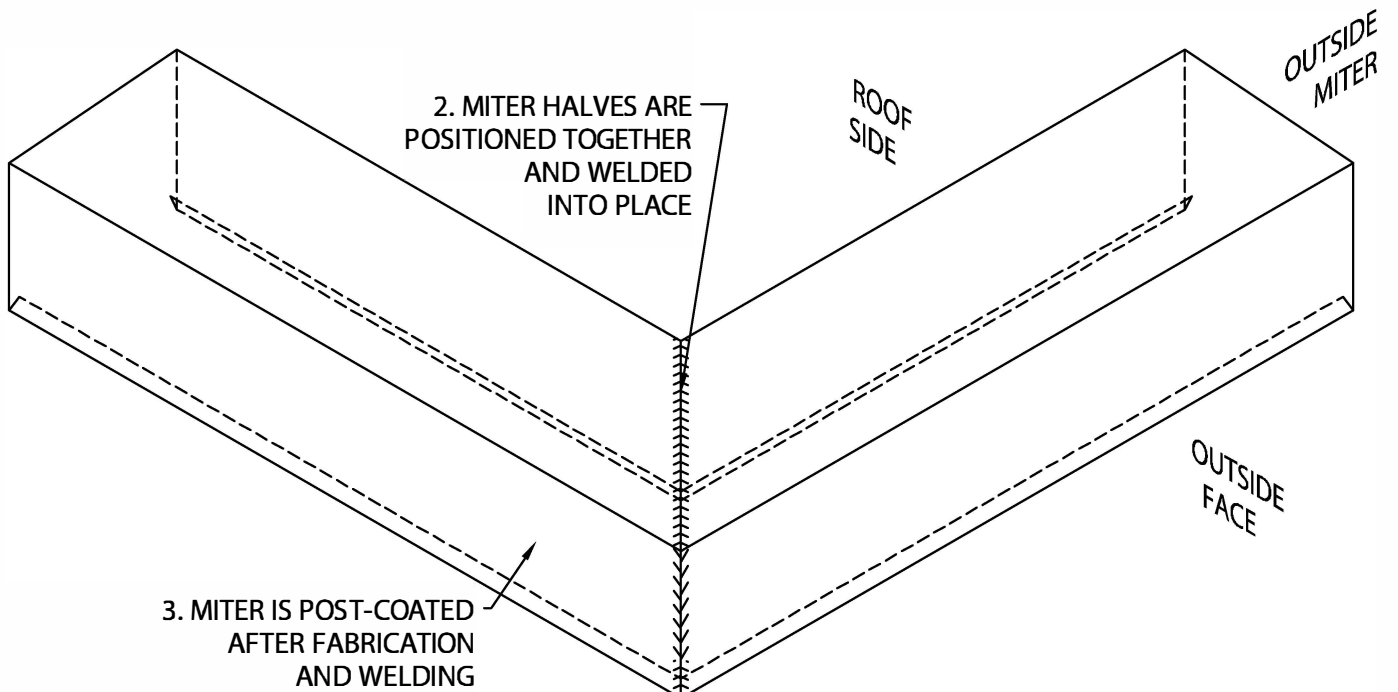
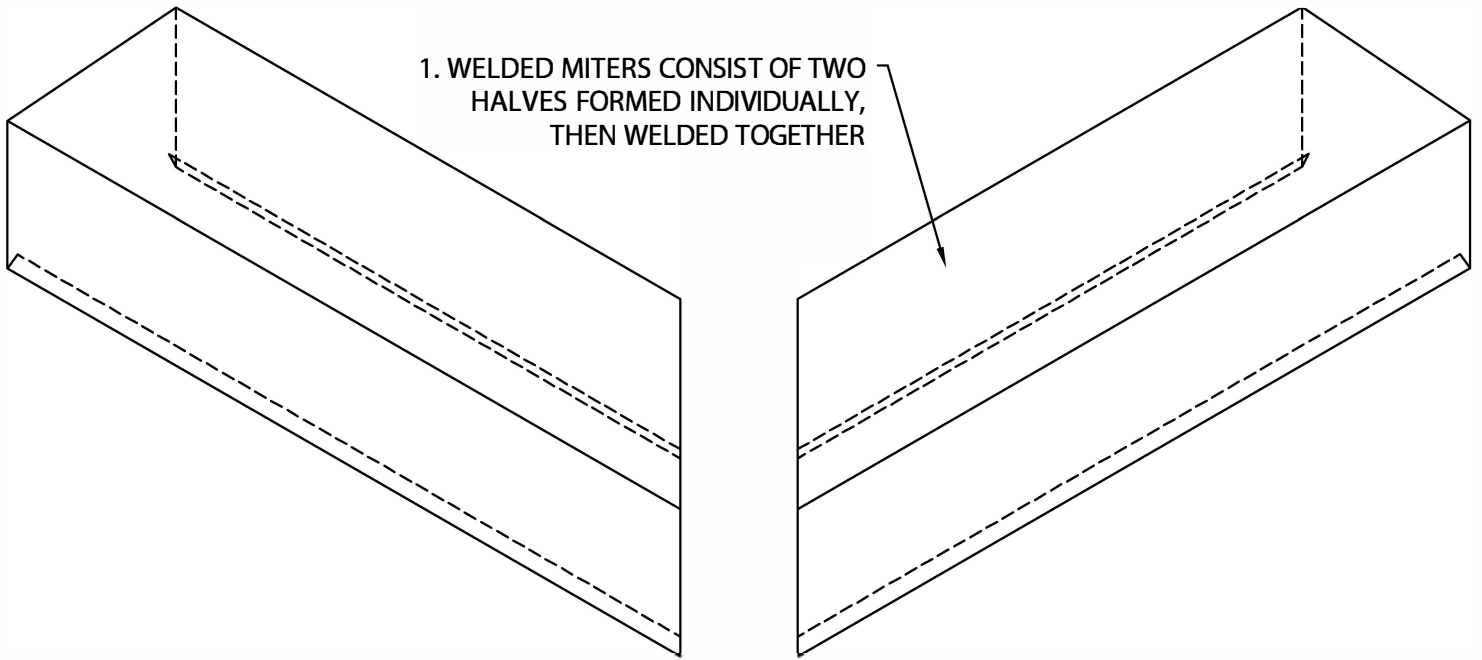


PAC-TITE GOLD COPING MITERS

WELDED POST-FINISHED MITER ASSEMBLY



3. MITER IS POST-COATED AFTER FABRICATION AND WELDING

WELDED MITERS ARE FABRICATED WITH WELDED OUTSIDE CORNERS