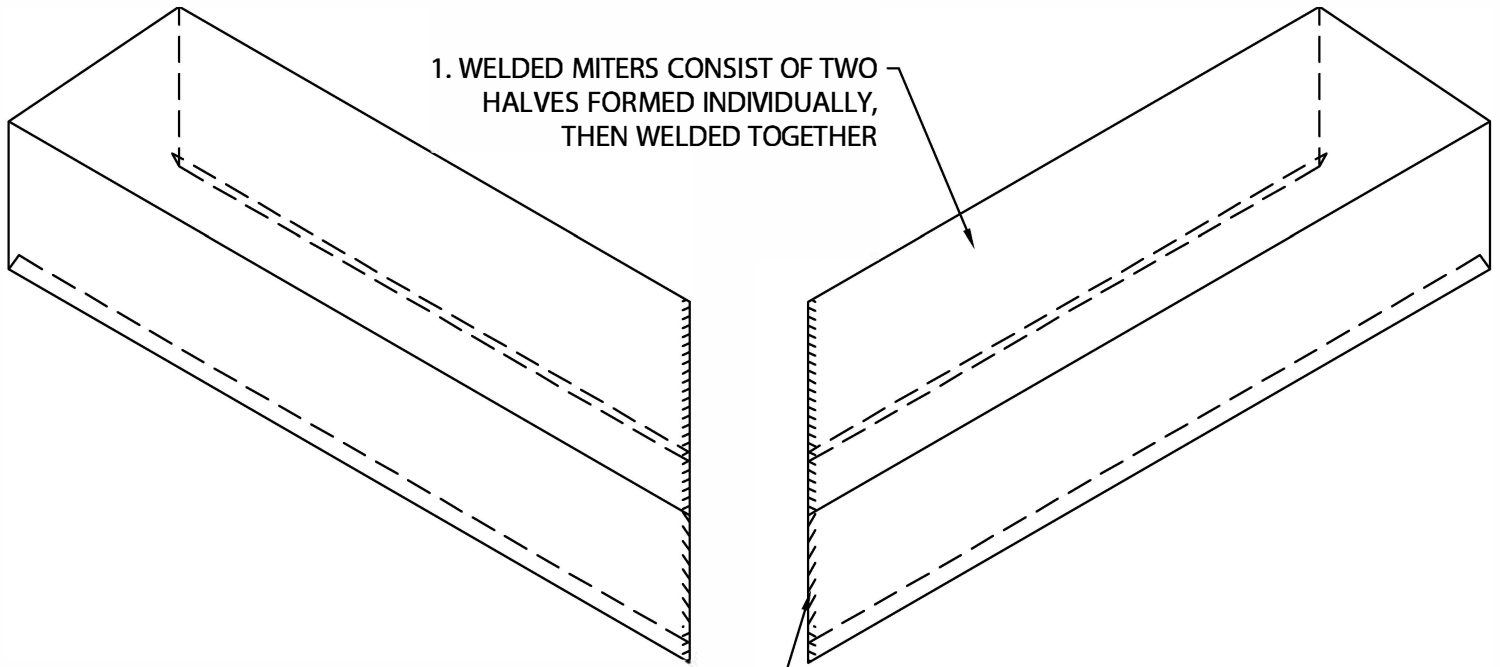


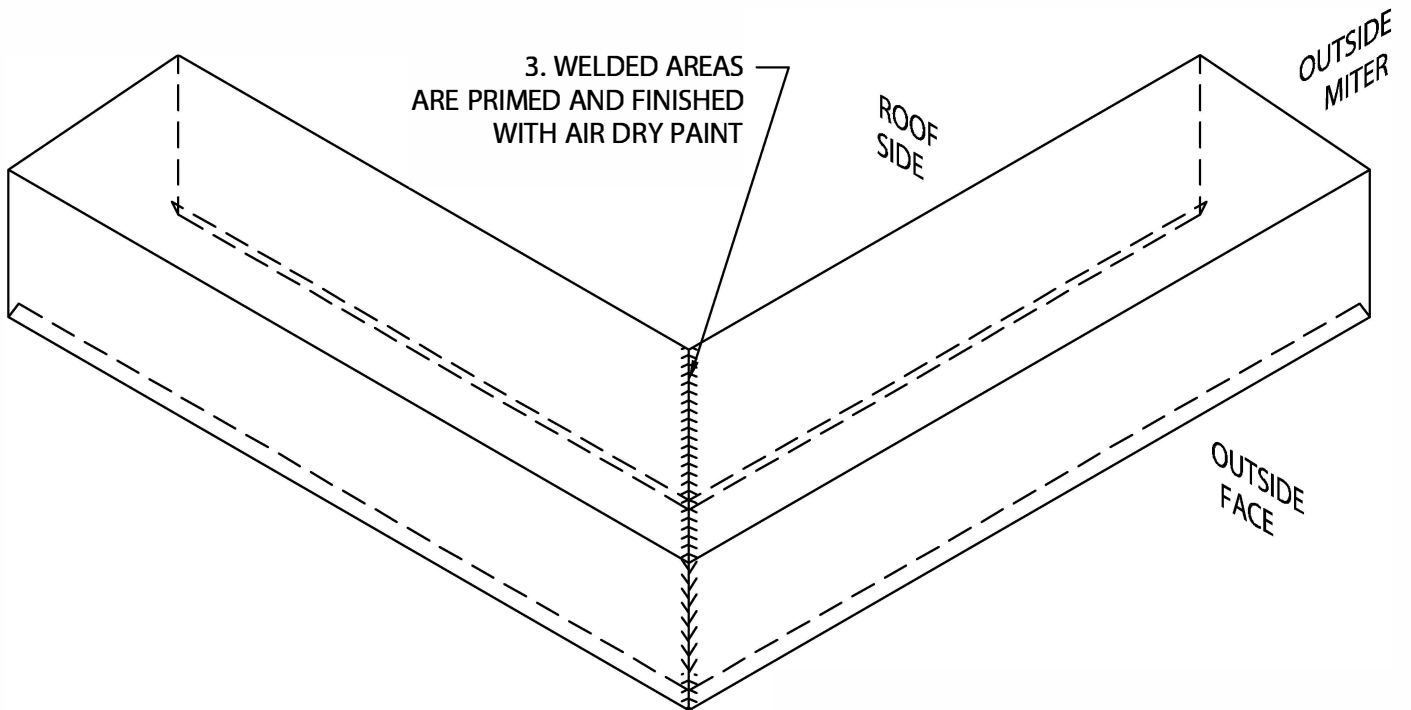
# PAC-TITE GOLD COPING MITERS

WELDED PRE-FINISHED MITER ASSEMBLY



2. PAINT IS GROUND OFF EDGES TO BE WELDED

This diagram shows the two miter halves from the previous step, now with their mitered edges prepared for welding. The edges are shown as slightly recessed or beveled, indicating that the paint has been removed to create a clean surface for the weld.



WELDED MITERS ARE FABRICATED WITH WELDED OUTSIDE CORNERS