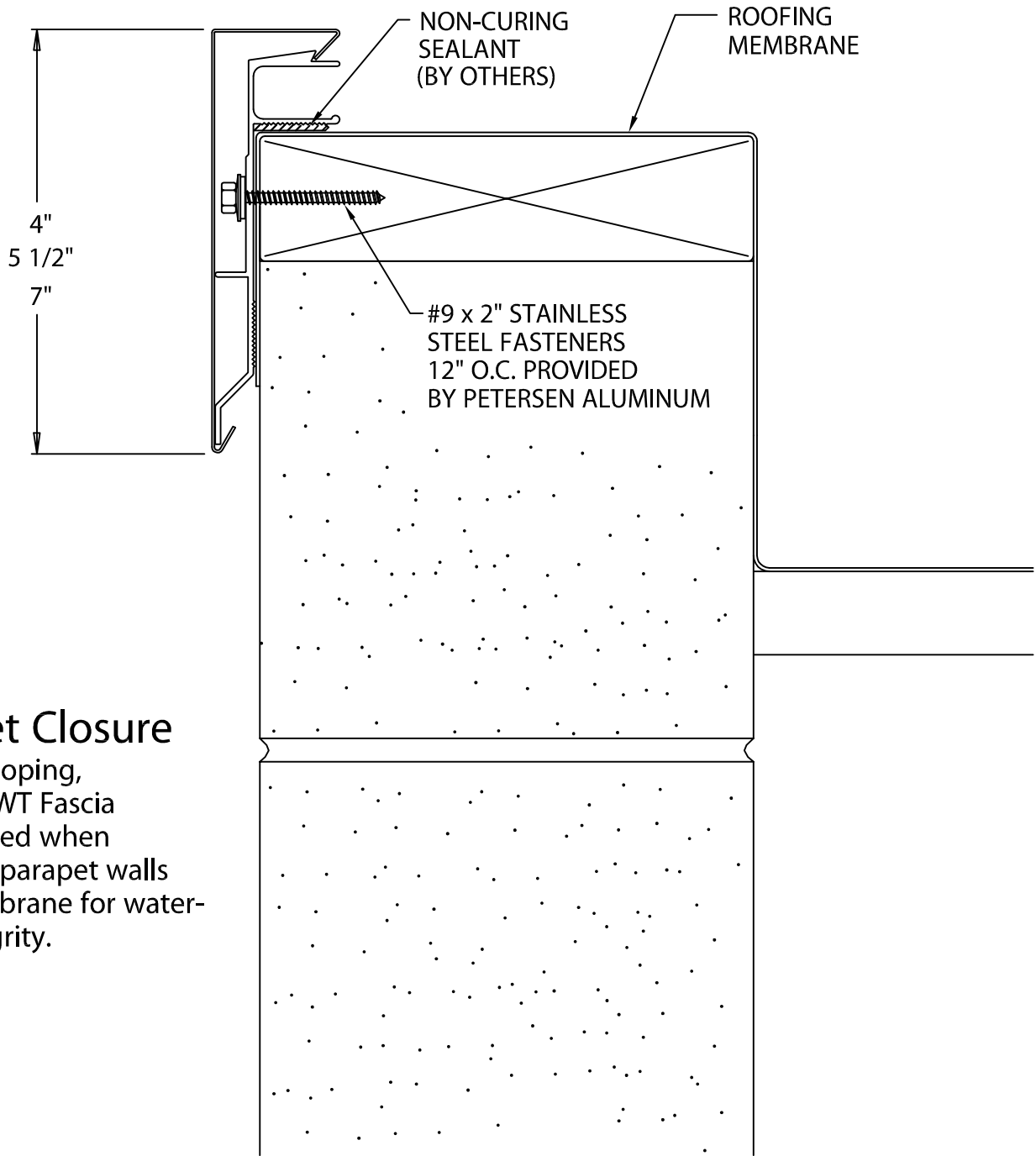


PAC-TITE WT FASCIA

FULLY ADHERED OR MECHANICALLY ATTACHED SINGLE-PLY VERSION

ALTERNATE PARAPET DETAIL



Parapet Closure

In lieu of coping, PAC-TITE WT Fascia may be used when wrapping parapet walls with membrane for water-tight integrity.

PROJECT:

ARCHITECT:

ROOFING CONTRACTOR:

REPRESENTATIVE/DISTRIBUTOR:



Phone: 800-323-1960 Fax: 800-722-7150
www.pac-clad.com
e-mail: info@pac-clad.com

DATE: 07/23/10

DRN BY: JJC

CKD BY: SAK

SHT.# ___ OF ___

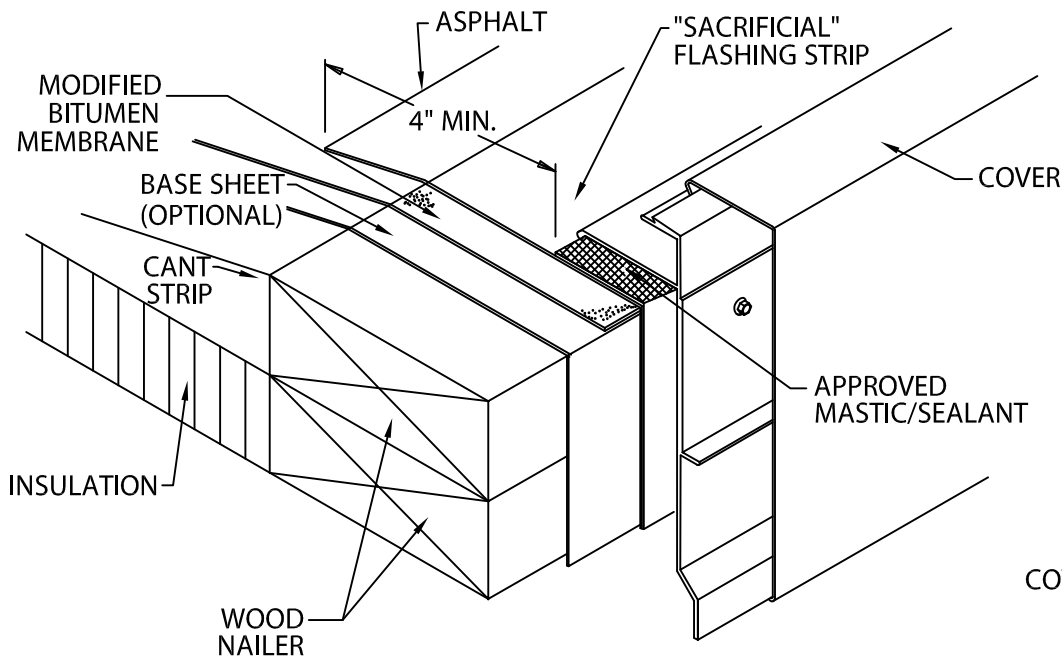
DWG# 41510-12127

A

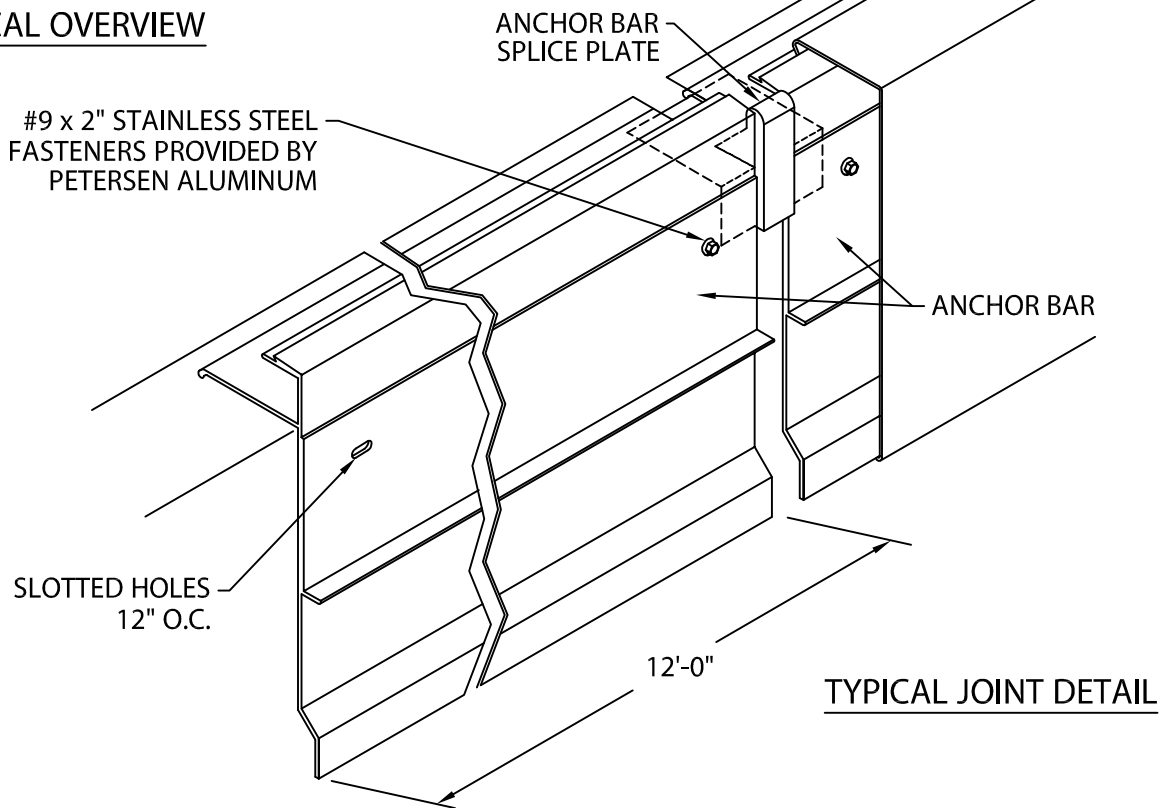
PAC-TITE WT FASCIA

MODIFIED VERSION

DETAILS



TYPICAL OVERVIEW



NOTE: Some manufacturers may require a "sacrificial" flashing strip. Please check with membrane manufacturer prior to installation.