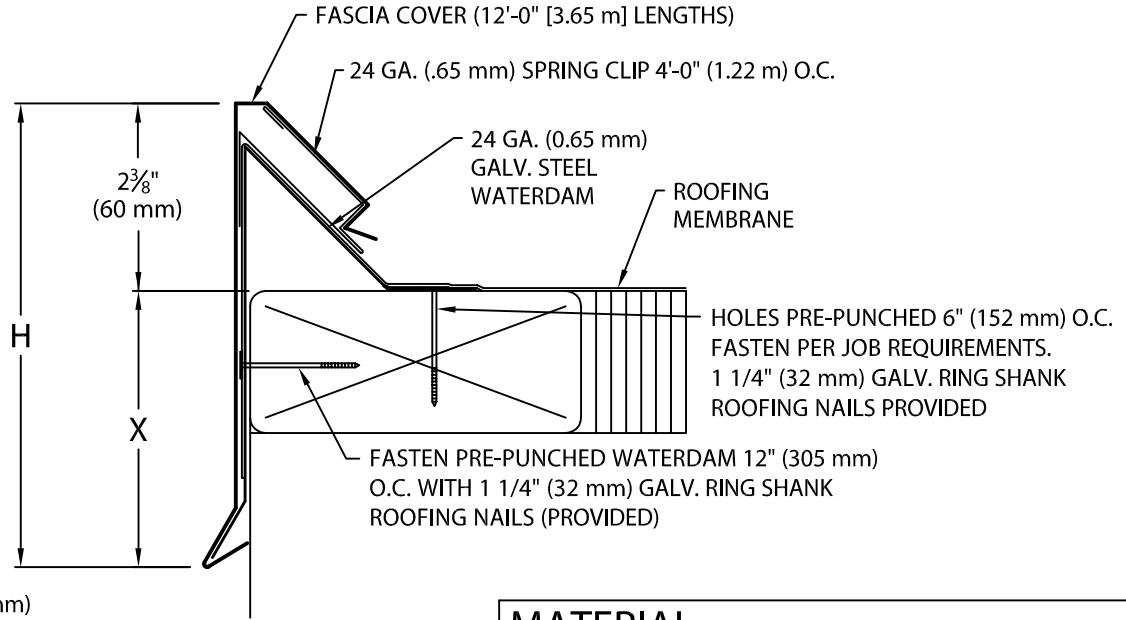


PAC-LOC FASCIA 2000

FULLY ADHERED OR MECHANICALLY ATTACHED SINGLE-PLY VERSION

FA-50 TO FA-80 ANSI/SPRI ES-1 DESIGN PRESSURE OF 160 psf

FA-95 TO FA-125 ANSI/SPRI ES-1 DESIGN PRESSURE OF 110 psf



NOTES:

FASCIA INCLUDES 3 1/2" (89 mm) WIDE SPLICE PLATE AT JOINTS.

FASCIA IS TO BE INSTALLED PER SPECIFICATIONS AND PETERSEN ALUMINUM'S INSTALLATION INSTRUCTIONS DWG. # 41110-12230

PAC-LOC FASCIA 2000 DIMENSIONS

PRODUCT ID. NO.	H DIM	X DIM	NAILER COVERAGE
<input type="checkbox"/> FA-50	5 1/4" (133 mm)	2 7/8" (73 mm)	1 NAILER
<input type="checkbox"/> FA-65	6 3/4" (171 mm)	4 3/8" (111 mm)	2 NAILERS
<input type="checkbox"/> FA-80	8 1/4" (210 mm)	5 7/8" (149 mm)	3 NAILERS
<input type="checkbox"/> FA-95	9 3/4" (248 mm)	7 3/8" (187 mm)	4 NAILERS
<input type="checkbox"/> FA-110	11 1/4" (286 mm)	8 7/8" (225 mm)	5 NAILERS
<input type="checkbox"/> FA-125	12 3/4" (324 mm)	10 3/8" (264 mm)	6 NAILERS

Fabrication will proceed only after receipt of signed print approval.

Print Approval:

Architect and/or contractor shall verify all dimensions, sizes and quantities. All products to be installed in strict accordance with Petersen Aluminum's printed instructions.

Approved by: _____

Date: _____

MATERIAL:

*Oil canning can occur on larger face heights. Recommend .050" (1.27 mm) or .063" (1.60 mm) for face heights above 8 1/4" (210 mm).

_____ 24 Ga. (.65 mm) Galv. Steel*
 _____ .040" (1.01 mm) Alum.*
 _____ .050" (1.27 mm) Alum.
 _____ .063" (1.60 mm) Alum.
 _____ OTHER _____

Color: _____

Finish: _____

QUANTITIES:

_____ Lineal Feet 12'-0" (3.65 m) Lengths
 _____ Outside Miter(s) @ (_____)°
 _____ Inside Miter(s) @ (_____)°
 _____ Right Endcap(s)
 _____ Left Endcap(s)
 _____ Right Endwall Flashing(s)
 _____ Left Endwall Flashing(s)
 _____ Overflow Scupper(s) Style ___A___B
 _____ Spillout Scupper(s) Style ___A___B
 _____ Downspout Scupper(s) Style ___A___B
 (____X____) Size A: Tapered 1 1/2" (38 mm) Drop
 B: Flat

PROJECT:

ARCHITECT:

ROOFING CONTRACTOR:

REPRESENTATIVE/DISTRIBUTOR:



Phone: 800-323-1960 Fax: 800-722-7150
 www.pac-clad.com
 e-mail: info@pac-clad.com

DATE: 08/05/10

DRN BY: JJC

CKD BY: SAK

SHT.# ___ OF ___

DWG# 41010-12229

A