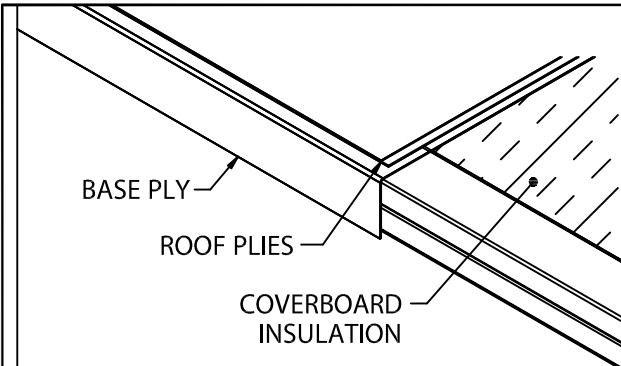


PAC-LOC FASCIA 3000

BUILT-UP OR MODIFIED VERSION

INSTALLATION INSTRUCTIONS



1. INSTALL ALL PLYS OF BUILT-UP ROOFING OR MODIFIED MEMBRANE OVER THE NAILER. ALLOW THE BASE PLY TO OVERHANG ONTO THE FACE OF THE NAILER.

NOTE : Follow general recommendations of the roofing manufacturers application of the membrane over the edge.

CAUTION : Take extreme care to avoid spillage of the asphalt over the edge.

2. LOCATE AND INSTALL MITERS, NAILING THROUGH PRE-SLOTTED FASTENING HOLES ON TOP OF NAILER AND OUTSIDE FACE. DETERMINE AND IDENTIFY LOCATION OF SCUPPERS. DO NOT INSTALL SCUPPERS AT THIS TIME. LEAVE GAP OF 14 1/2" (368 mm) INCHES FOR SCUPPER LOCATIONS. THEN INSTALL THE 12'-0" (3.65 m) SECTIONS OF WATERDAM FROM RIGHT TO LEFT (AS SEEN FROM ROOF TOP) BY NAILING THROUGH SLOTTED HOLES PROVIDED PER JOB REQUIREMENTS. FIELD CUT SECTIONS AS NECESSARY. LAP WATERDAM JOINTS 1" (25 mm).

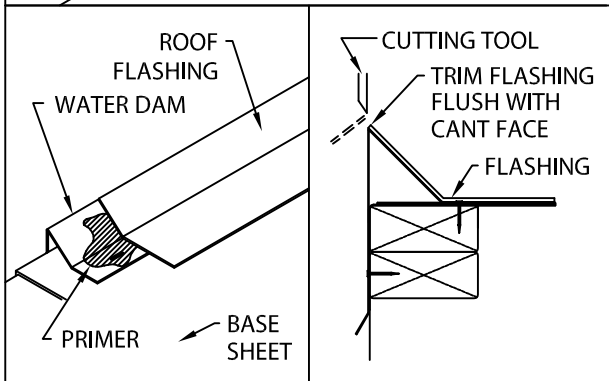
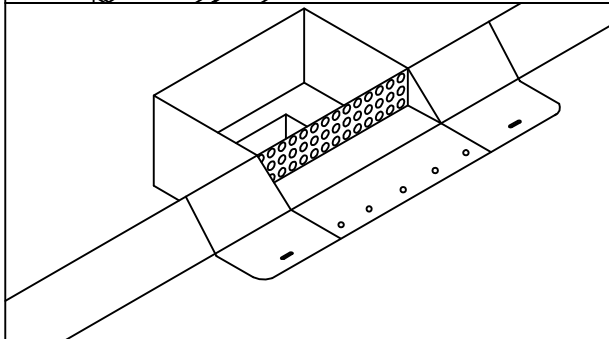
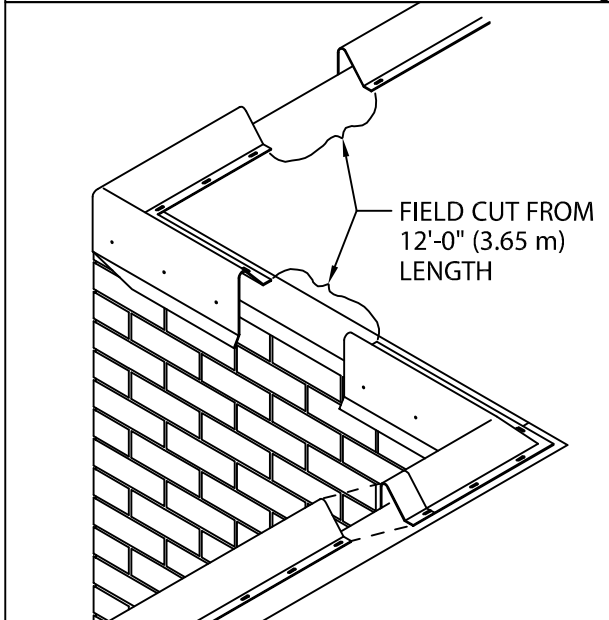
PROVIDED WATERDAM FASTENER: 1 1/4" (32 mm) RING SHANK GALVANIZED ROOFING NAILS.

CAUTION : INSTALLERS SHALL WEAR PROTECTIVE EYEWEAR TO PREVENT SERIOUS INJURY.

3. INSTALL SPILLOUT OR DOWNSPOUT SCUPPERS (IF APPLICABLE) AT PREDETERMINED LOCATIONS.

NOTE : FOLLOW GENERAL RECOMMENDATIONS OF THE ROOF MEMBRANE MANUFACTURERS APPLICATION ON STRIPPING IN THE SCUPPER.

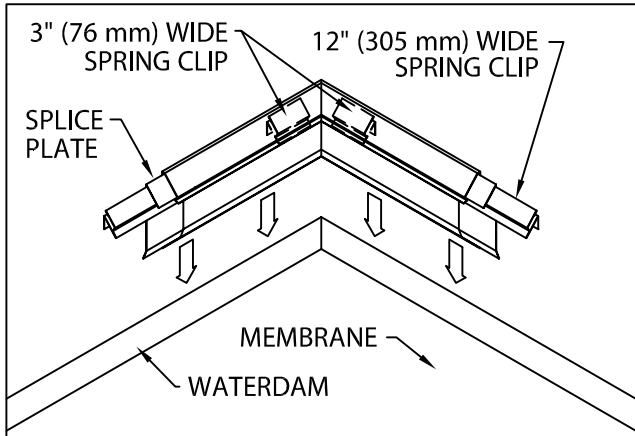
4. USE APPROPRIATE TYPE AND WIDTH OF ROOF MEMBRANE FLASHING. METAL ASPHALT PRIMER IS NECESSARY TO FLASH UP THE CANT OF THE WATERDAM. TRIM OVERHANGING FLASHING FLUSH WITH FACE OF CANT. CONSULT ROOFING MANUFACTURER FOR PROPER MATERIALS PROCEDURE FOR STRIPPING IN WATERDAM WITH FLASHING.



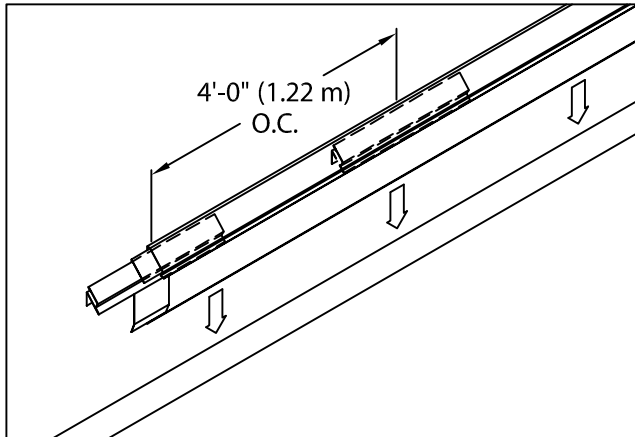
PAC-LOC FASCIA 3000

BUILT-UP OR MODIFIED VERSION

INSTALLATION INSTRUCTIONS

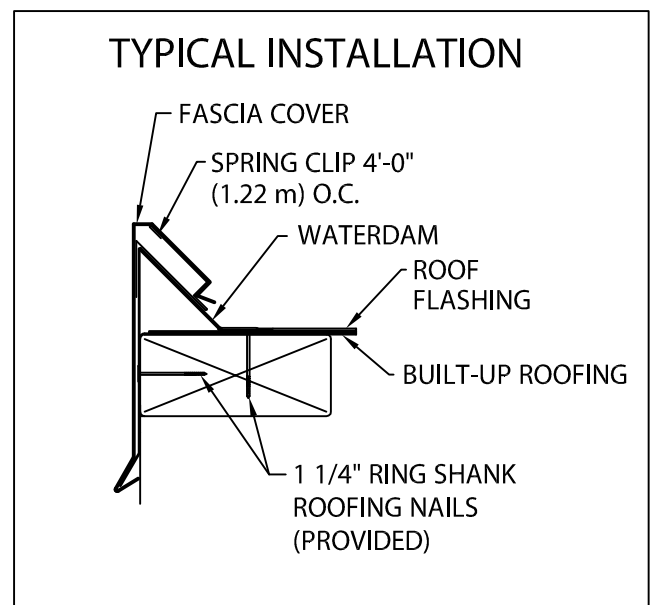
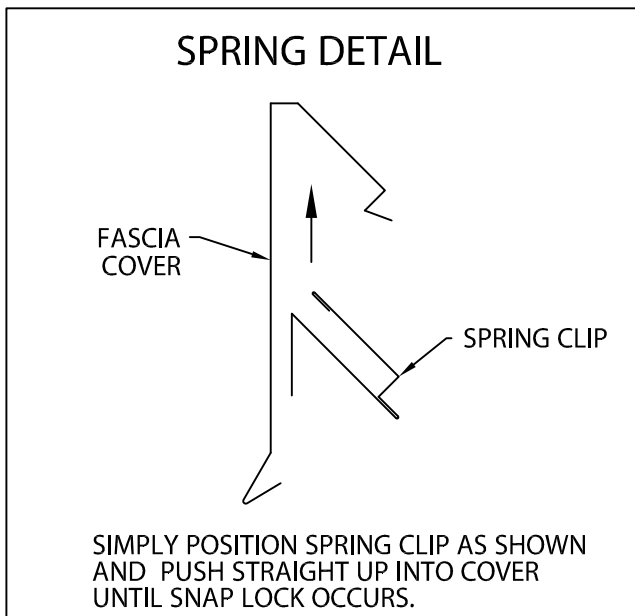


5. INSTALL MITER COVERS FIRST. INSERT ONE SPLICE PLATE AND ONE 12" (305 mm) WIDE SPRING CLIP INTO EACH END OF MITER COVER, HALF EXPOSED (SEE DETAIL BELOW FOR PROPER SPRING INSTALLATION). PLACE TWO 3" (76 mm) WIDE SPRING CLIPS INTO CORNERS OF MITER AS SHOWN. INSTALL MITER COVERS BY PUSHING DOWNWARD UNTIL COVER IS ENGAGED ALONG ENTIRE MITER.



6. INSTALL 12'-0" (3.65 m) FASCIA COVER SECTIONS. INSERT ONE SPLICE PLATE AND ONE 12" (305 mm) WIDE SPRING CLIP UNDER FAR END OF FASCIA COVER, HALF EXPOSED. PLACE 12" (305 mm) WIDE SPRING CLIPS INTO COVER AT 4'-0" (1.22 m) O.C. INSTALL COVER BY PUSHING DOWNWARD UNTIL FASCIA COVER IS ENGAGED TO WATERDAM ALONG ENTIRE LENGTH. CONTINUE TO INSTALL FASCIA COVERS, LEAVING A 3/8" (10 mm) SPACE BETWEEN COVERS. FIELD CUT WHERE NECESSARY USING FINE TOOTH HACKSAW.

CAUTION: REMOVE PROTECTIVE FILM IMMEDIATELY AFTER INSTALLATION, WHERE APPLICABLE.

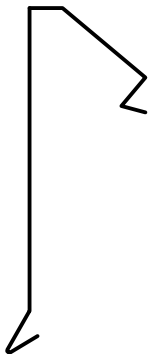


PAC-LOC FASCIA 3000

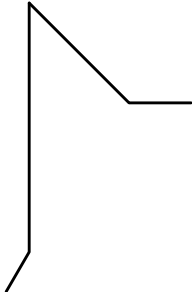
BUILT-UP OR MODIFIED VERSION

INSTALLATION INSTRUCTIONS

COMPONENT LIST



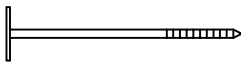
FASCIA COVER
12'-0" (3.65 m) LENGTHS



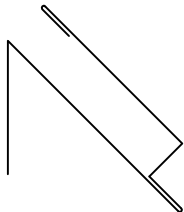
WATERDAM
12'-0" (3.65 m) LENGTHS



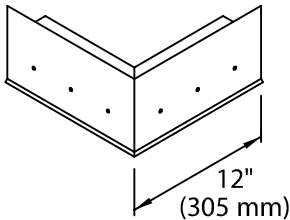
SPLICE PLATE
3 1/2" (89 mm) WIDE



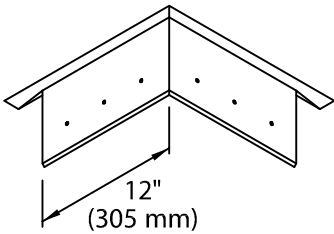
1 1/4" (32 mm) RING SHANK
ROOFING NAIL



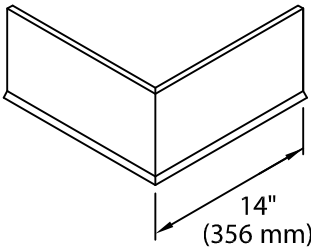
SPRING CLIP
12" (305 mm) WIDE OR
3" (76 mm) WIDE (MITERS ONLY)



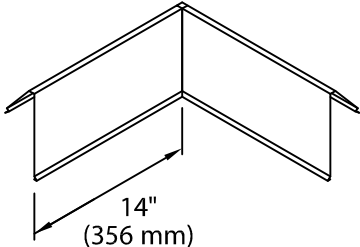
WATERDAM
OUTSIDE MITER



WATERDAM
INSIDE MITER



FASCIA COVER
OUTSIDE MITER



FASCIA COVER
INSIDE MITER



Phone: 800-323-1960 Fax: 800-722-7150
www.pac-clad.com
e-mail: info@pac-clad.com

DATE: 08/05/10
DRN BY: JJC
CKD BY: SAK

SHT.# 3 OF 3
DWG# 41110-12236

A