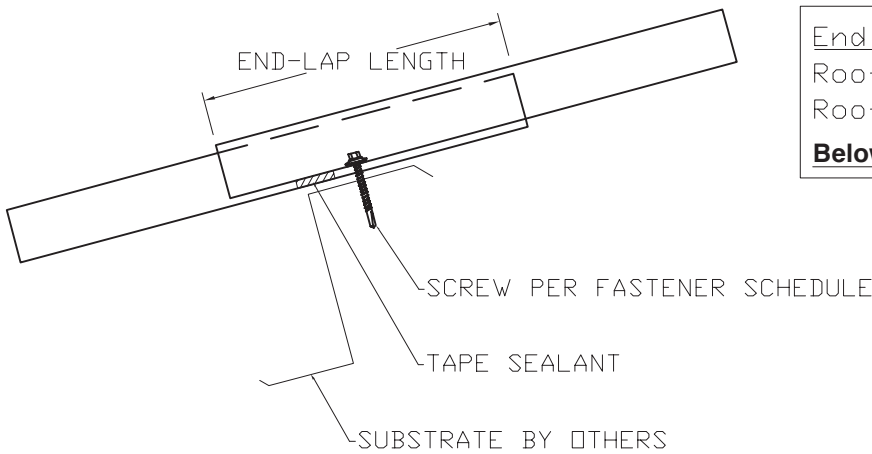
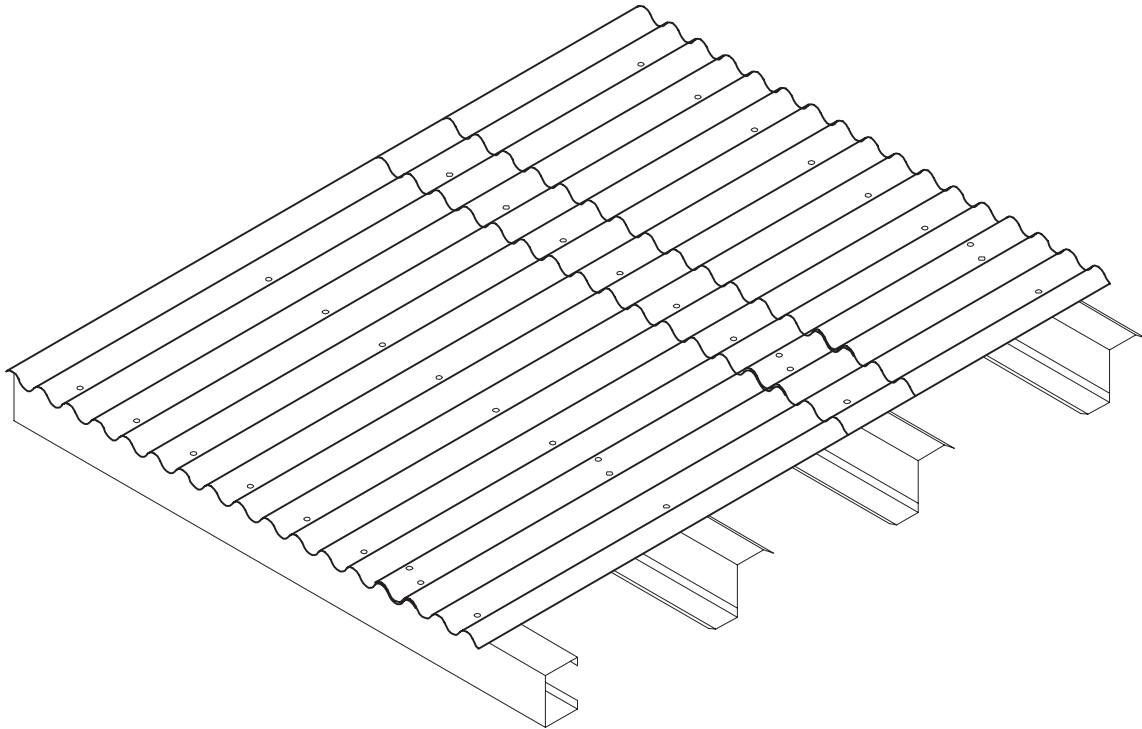


PANEL OVERLAP DETAIL

2.67" X 7/8" CORRUGATED



End Lap Minimum Lengths:
 Roof Slope: $\frac{3}{12}$ - 9" Minimum
 Roof Slope: $\frac{4}{12}$ & greater - 6" Minimum
Below 2-1/2 / 12 slope: NOT RECOMMENDED

Job Name _____ Contractor _____

Date _____ Notes _____

PETERSEN ALUMINUM CORPORATION

PAC-CLAD.COM SALES@PETERSENMAIL.COM

HQ: 1005 Tonne Road
 Elk Grove Village, IL 60007
 P: 800-PAC-CLAD
 F: 800-722-7150

9060 Junction Drive
 Annapolis Junction, MD 20701
 P: 800-344-1400
 F: 301-953-7627

10551 PAC Road
 Tyler, TX 75707
 P: 800-441-8661
 F: 903-581-8592

102 Northpoint Parkway
 Acworth, GA 30102
 P: 800-272-4482
 F: 770-420-2533

1800 S. 7th Ave., Suite 130
 Phoenix, AZ 85007
 P: 833-750-1935
 F: 602-254-6504

1885 Station Parkway NW, Suite B
 Andover, MN 55304
 P: 877-571-2025
 F: 866-901-2935