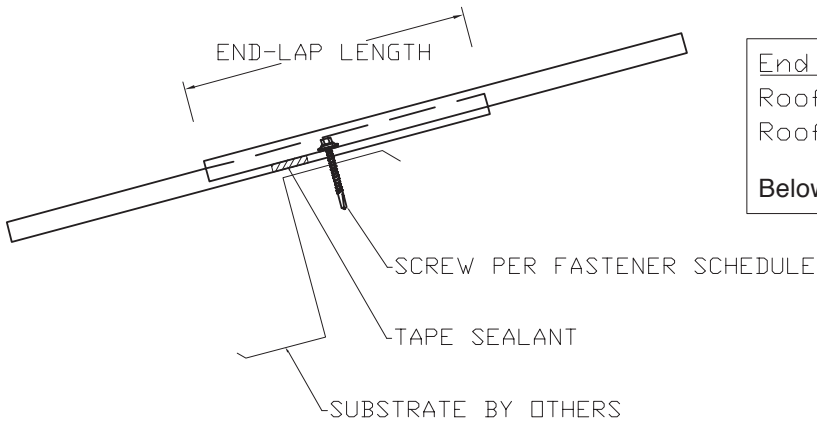
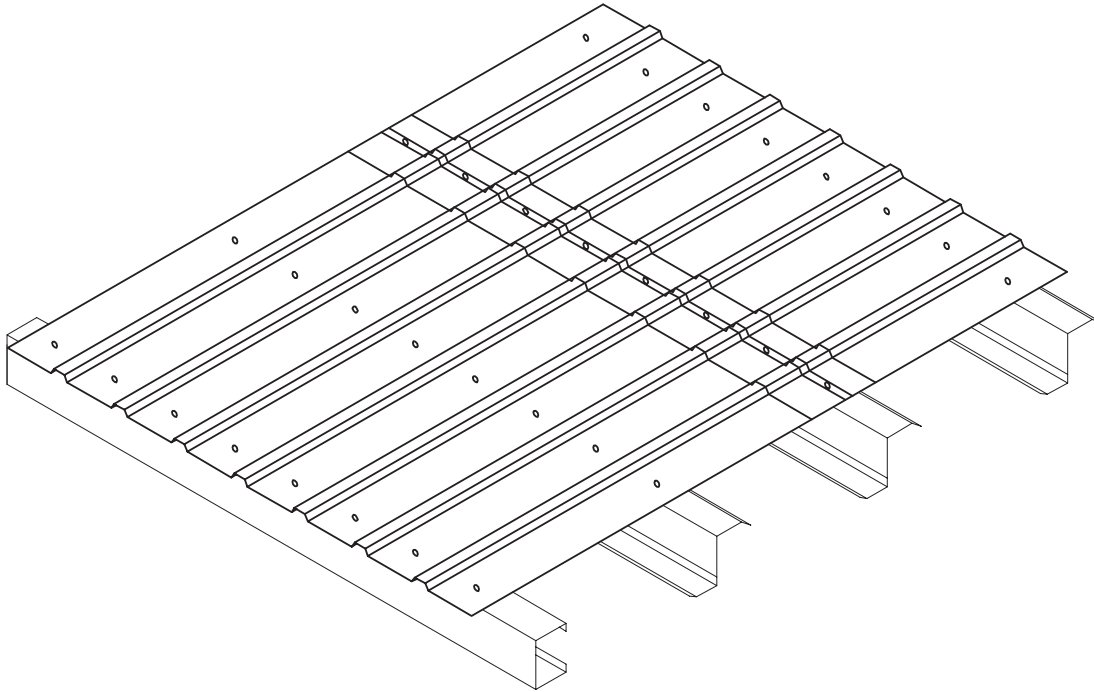


# PANEL OVERLAP DETAIL

## M-36 PANEL



End Lap Minimum Lengths:  
 Roof Slope:  $\frac{3}{12}$  - 9" Minimum  
 Roof Slope:  $\frac{4}{12}$  & greater - 6" Minimum  
**Below 2-1/2" / 12 Slope - NOT RECOMMENDED**

Job Name \_\_\_\_\_ Contractor \_\_\_\_\_

Date \_\_\_\_\_ Notes \_\_\_\_\_

**PETERSEN ALUMINUM CORPORATION**

**PAC-CLAD.COM SALES@PETERSENMAIL.COM**

HQ: 1005 Tonne Road  
 Elk Grove Village, IL 60007  
 P: 800-PAC-CLAD  
 F: 800-722-7150

9060 Junction Drive  
 Annapolis Junction, MD 20701  
 P: 800-344-1400  
 F: 301-953-7627

10551 PAC Road  
 Tyler, TX 75707  
 P: 800-441-8661  
 F: 903-581-8592

102 Northpoint Parkway  
 Acworth, GA 30102  
 P: 800-272-4482  
 F: 770-420-2533

1800 S. 7th Ave., Suite 130  
 Phoenix, AZ 85007  
 P: 833-750-1935  
 F: 602-254-6504

1885 Station Parkway NW, Suite B  
 Andover, MN 55304  
 P: 877-571-2025  
 F: 866-901-2935