



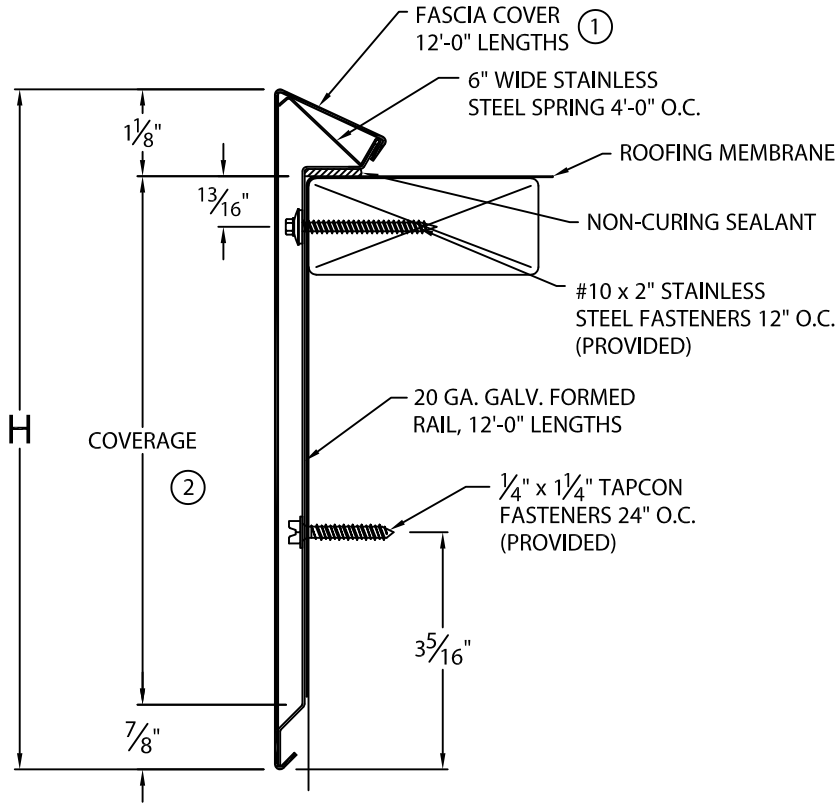
PAC EXTENDED SNAP EDGE

FULLY ADHERED OR MECHANICALLY ATTACHED SINGLE-PLY VERSION

ANSI/SPRI ES-1 DESIGN PRESSURE OF 146 psf

.050" AND .063" MATERIAL

U.S. Patent # 5,927,023



NOTES:

- ① FASCIA COVER PROVIDED WITH 3 1/2" WIDE SPLICE PLATES.
- ② FACE = COVERAGE (SHOULD EXTEND A MIN. OF 1" BELOW WATERPROOFING MEMBRANE) + 2".

MATERIAL:

___ .050" ALUMINUM
 ___ .063" ALUMINUM
 ___ OTHER _____

COLOR: _____

FINISH: _____

FASCIA DIMENSIONS

PRODUCT ID. NO.	H DIM	COVERAGE
<input type="checkbox"/> ESE-S95	9 1/2"	8 3/8"
<input type="checkbox"/> ESE-S110	11"	9 7/8"
<input type="checkbox"/> ESE-S125	12 1/2"	11 3/8"

QUANTITIES:

_____ LINEAL FEET 12'-0" LENGTHS
 _____ OUTSIDE MITERS (COVER ONLY) @ 90°
 _____ INSIDE MITERS (COVER ONLY) @ 90°
 _____ OVERFLOW SCUPPER STYLE ___A___B
 _____ SPILLOUT SCUPPER STYLE ___A___B
 _____ DOWNSPOUT SCUPPER STYLE ___A___B
 (____x____) SIZE A: TAPERED 1 1/2" DROP
 B: FLAT

FOR NON-90 MITERS SEE PRINT APPROVAL #41010-12108

Fabrication will proceed only after receipt of signed print approval.

Print Approval:

Architect and/or contractor shall verify all dimensions, sizes and quantities. All products to be installed in strict accordance with Petersen Aluminum's printed instructions.

Approved by: _____

Date: _____

PROJECT:

ARCHITECT:

ROOFING CONTRACTOR:

REPRESENTATIVE/DISTRIBUTOR:



Phone: 800-323-1960 Fax: 800-722-7150
 www.pac-clad.com
 e-mail: info@pac-clad.com

DATE: 10/16/18

DRN BY: JJC

CKD BY: SAK

SHT.# ___ OF ___

DWG# 41010-12260 **F**