



Farabaugh Engineering and Testing Inc.

Project No. T167-19

Report Date: April 18, 2019

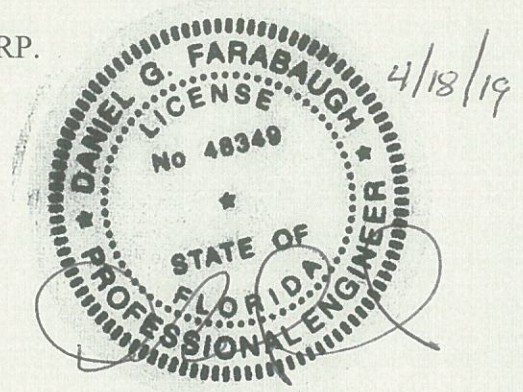
No. Pages: 6 (inclusive)

PERFORMANCE TEST REPORT ASTM E2140 WATER TEST

T-PANEL - METAL ROOF PANEL 16" WIDE X 24 GA. STEEL WITH INTERMITTENT CLIPS

FOR

PETERSEN ALUMINUM CORP.
10551 PAC ROAD
TYLER, TX. 75707



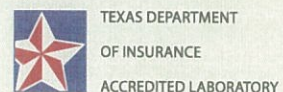
Prepared by:

Paul G. Farabaugh

Approved by:

Daniel G. Farabaugh

DANIEL G. FARABAUGH, P.E.
255 Saunders Station Rd.
Trafford, PA 15085
(412) 373-9238



Project No. T167-19

PERFORMANCE TEST REPORT

Manufacturer: Petersen Aluminum
10551 PAC Rd.
Tyler, TX. 75707

Panel: T-PANEL - Metal Roof Panel, 16" wide x 24 ga. steel with 24 ga. steel cap

Intermittent Clip: 6" wide x 16 ga. galvanized steel clip

Test Assembly

The panels were installed on the 16 ga intermediate support and perimeter chamber frame. The panels were attached to the intermediate support using the (2) #14-13 X 1-1/2" long, DP1, Concealor, self-drill fasteners per intermittent clips at support. The panel sidejoints used a 24 ga. seam cap and were seamed with a mechanical seamer. The seam cap used 2 beads of factory sealant, one bead on each side of cap corners. The panels were attached and sealed to the perimeter frame with silicone sealant. Test was done with panels in horizontal position (no slope). There were no endlaps included in this test assembly. See attached sheets for details of mock-up.

Test Procedure

The tests were conducted in accordance with the ASTM E2140-01 "Standard Test Method for Water Penetration of Metal Roof Panel Systems by Static Water Pressure Head" and as provided herein. Test data was recorded and is shown on the attached data sheets for each test.

Project No. T167-19

TEST DATA

TEST DATE: 4-17-19

SPECIMEN: T-PANEL - Metal Roof Panel, 16" wide x 24 ga. steel with 24 ga. steel cap

CUSTOMER: Petersen Aluminum

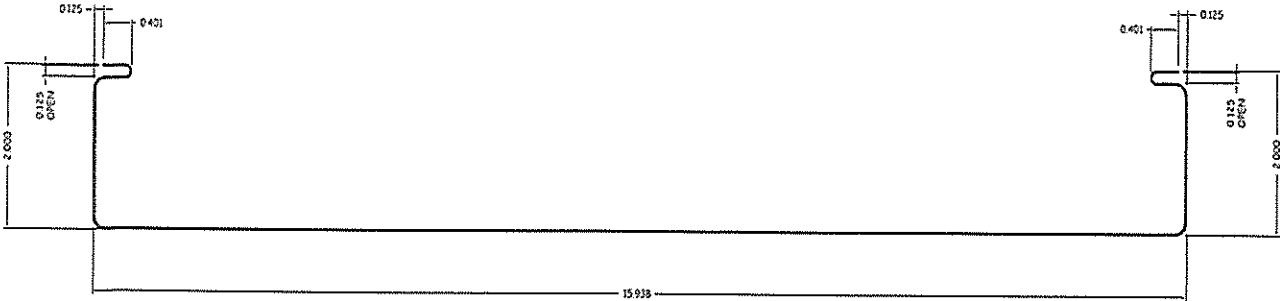
STATIC WATER LEAKAGE TEST

PHASE	WATER HEAD	DURATION	RESULTS
1	3"	5 min.	No leakage
2	3"	5 min.	No leakage
3	6"	1 hr.	No leakage
4	6"	2 hr.	No leakage
5	6"	3 hr.	No leakage

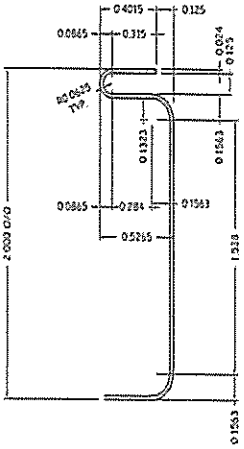
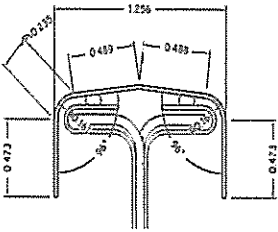
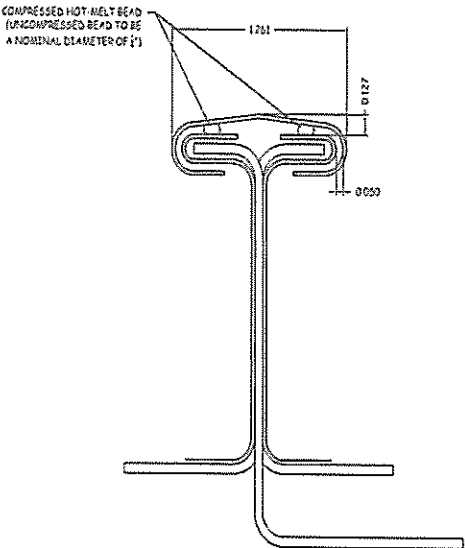
Total Duration of 3" Water Head = 10 min.

Total Duration of 6" Water Head = 6 hr.

RESULTS: No signs of water leakage after completion of the test.

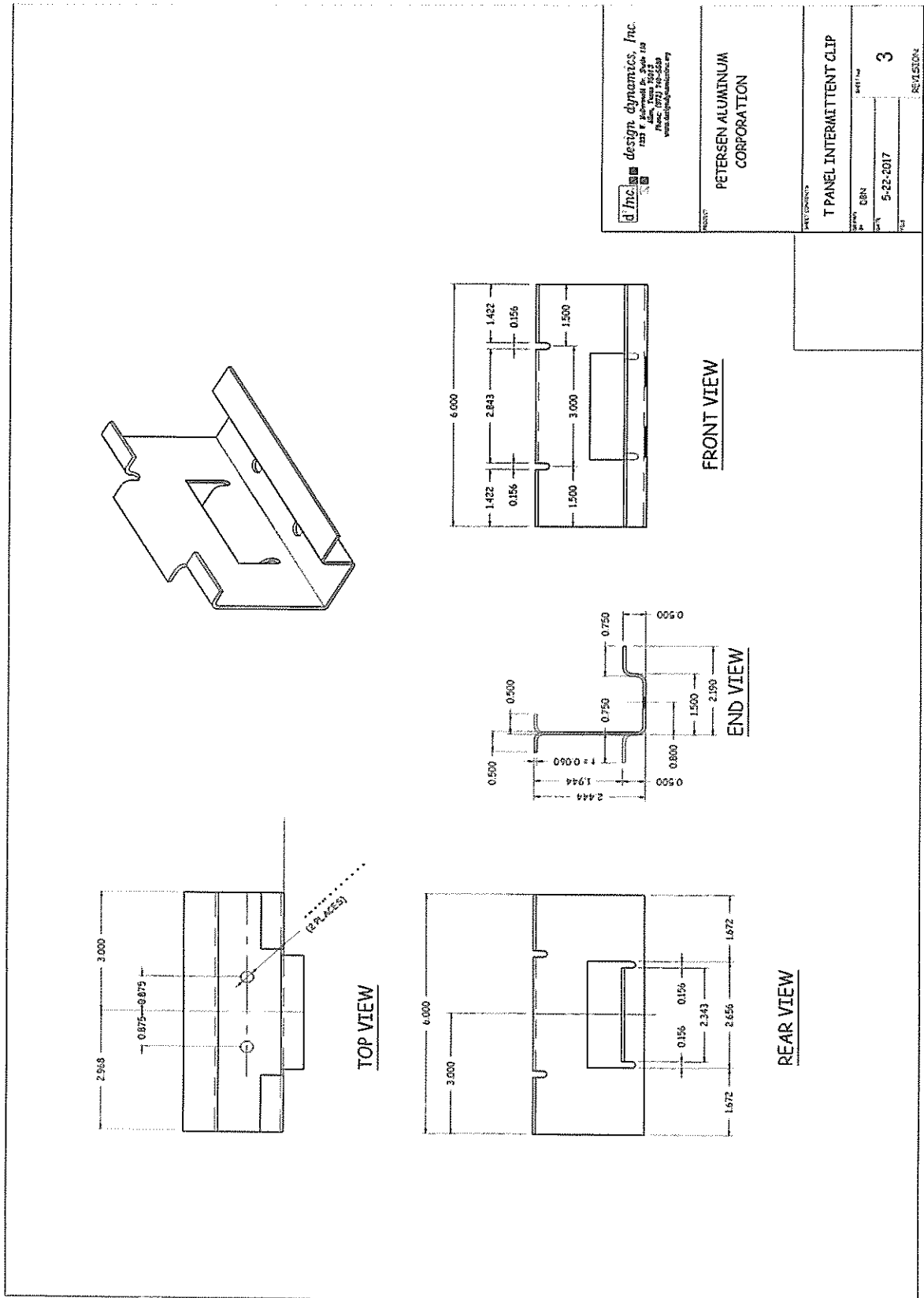


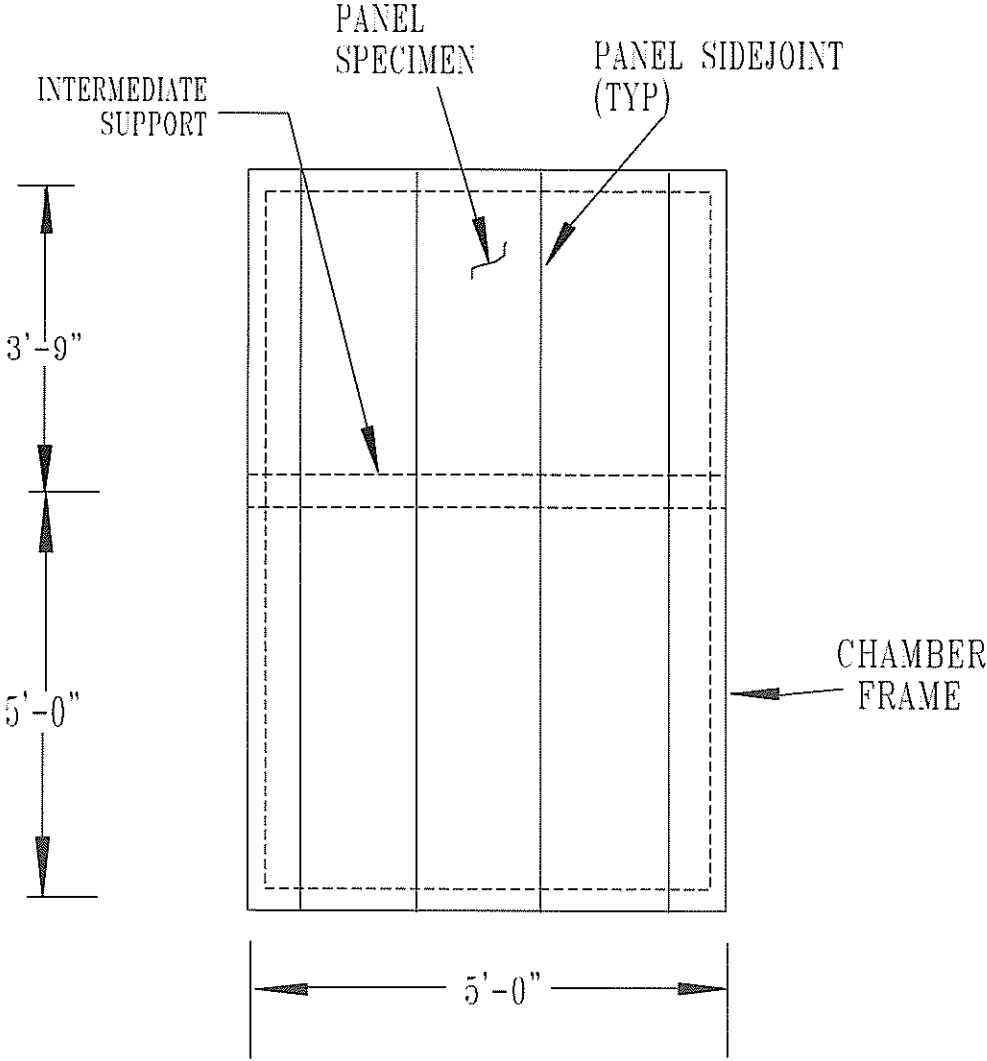
16" T PANEL



ENLARGED SIDE JOINT DETAIL

STUDY AT SIDE JOINT W/ CLIP CAP (AFTER SEAMING)





PLAN VIEW