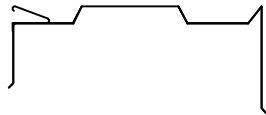


NOTES:

- ANCHOR CLIP PROFILE ON WALLS GREATER THAN 14".
- FACE = COVERAGE (SHOULD EXTEND A MIN. OF 1" BELOW WATER RESISTANT WALL SURFACE) + 1 9/16".
- 24 GA. GALV. AND .040" ALUM. COPING COVERS AVAILABLE FOR WALL SIZES 3 1/2" TO 24" ONLY.
- WELDED ACCESSORIES REQUIRE A MINIMUM MATERIAL THICKNESS OF .050".
- FOR NON 90° MITERS PLEASE USE PRINT APPROVAL #41011-12586.



MATERIAL:

- 24 GA. GALVANIZED STEEL (3)
- 22 GA. GALVANIZED STEEL
- .040" ALUMINUM (3) COLOR: _____
- .050" ALUMINUM
- .063" ALUMINUM FINISH: _____
- OTHER _____

QUANTITIES:

_____ LINEAL FEET 12'-0" LENGTHS

ACCESSORIES:

- SPECIFY ACCESSORY TYPE:
- OUTSIDE MITERS @ 90° (5)
 - WELDED (4)
 - INSIDE MITERS @ 90° (5)
 - QUICKLOCK
 - RIGHT ENDCAPS
 - LEFT ENDCAPS

ENDWALL FLASHING (SPLICE PLATE VERSION)

RIGHT HAND _____ LEFT HAND _____

ENDWALL FLASHING (COPING VERSION)

RIGHT HAND _____ LEFT HAND _____

AUTHORIZED SIGNATURE: _____

APPROVED BY: _____

DATE: _____



ANSI/SPRI ES-1 TESTED

PROJECT: _____

ARCHITECT: _____

ROOFING CONTRACTOR: _____

REPRESENTATIVE/DISTRIBUTOR: _____

PHONE: 800-323-1960 FAX: 800-722-7150
WWW.PAC-CLAD.COM
E-MAIL: INFO@PAC-CLAD.COM

DATE: 03/06/14

DRN BY: JJC

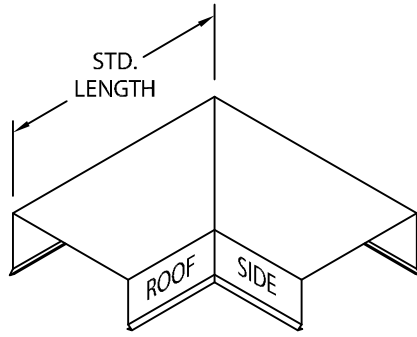
CKD BY: SAK

SHT.# ____ OF ____

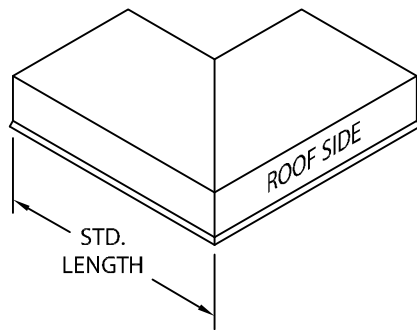
DWG# 41011-19332

A

PAC-TITE COPING



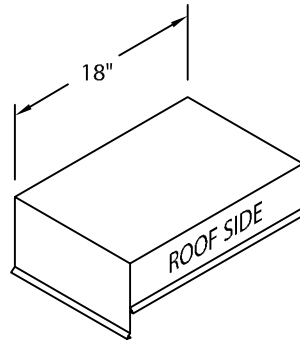
OUTSIDE MITER



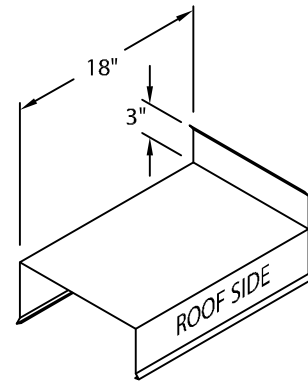
INSIDE MITER

MITER STANDARD LEG LENGTH:
WALL SIZE + $9\frac{5}{8}$ " = LENGTH

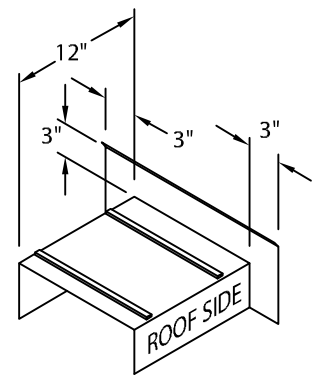
PAC-TITE COPING STANDARD ACCESSORIES



ENDCAP
(LEFT HAND SHOWN)



ENDWALL FLASHING
COPING VERSION
(RIGHT HAND SHOWN)



ENDWALL FLASHING
SPLICE PLATE VERSION
(RIGHT HAND SHOWN)
(AVAILABLE ONLY IN
.040" WELDED, PAINTED
TO MATCH COPING)

ADDITIONAL ACCESSORIES ARE AVAILABLE ON WEBSITE:

- TRANSITION MITERS
- STRAIGHT TRANSITION MITERS
- "T" MITERS
- "Z" MITERS
- STEP-UP MITERS
- PEAK / VALLEY MITERS
- PILASTER CAPS
- RADIUS COPING
- ARCHED COPING

(FOR ADDITIONAL ACCESSORY REQUIREMENTS, ATTACH SKETCHES OR CALL MANUFACTURER FOR ASSISTANCE).

ANCHOR CLIP SPACING:

- 24 GA. / .040", 16" WALL SIZE OR LESS, ANCHOR CLIPS ARE 48" O.C.
- 24 GA. / .040", OVER 16" WALL SIZE, ANCHOR CLIPS ARE 36" O.C.
- 22 GA. / .050" / .063", $26\frac{1}{2}$ " WALL SIZE OR LESS, ANCHOR CLIPS ARE 48" O.C.
- 22 GA. / .050" / .063", OVER $26\frac{1}{2}$ " WALL SIZE, ANCHOR CLIPS ARE 36" O.C.
- FLORIDA JOBS HAVE ANCHOR CLIPS 36" O.C. FOR ALL WALL SIZES.

ANCHOR CLIP MATERIAL IS 20 GA. GALV. FOR ALL WALL SIZES UP TO $26\frac{1}{2}$ ".
16 GA. GALV. FOR ALL WALL SIZES GREATER THAN $26\frac{1}{2}$ "