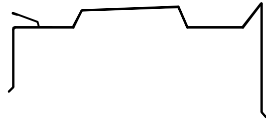


NOTES:

- ① ANCHOR CLIP PROFILE ON WALLS GREATER THAN 14".
- ② IF WALL SIZE IS OVER 16", THE RISE IS 5⁸/₈".
- ③ FACE = COVERAGE (SHOULD EXTEND A MIN. OF 1" BELOW WATER RESISTANT WALL SURFACE) + 2".
- ④ 24 GA. GALV. AND .040" ALUM. COPING COVERS AVAILABLE FOR WALL SIZES 3¹/₂" TO 24" ONLY.
- ⑤ WELDED ACCESSORIES REQUIRE A MINIMUM MATERIAL THICKNESS OF .050".
- ⑥ FOR NON 90° MITERS PLEASE USE PRINT APPROVAL #41011-12586.



MATERIAL:

- ___ 24 GA. GALVANIZED STEEL ④
- ___ 22 GA. GALVANIZED STEEL
- ___ .040" ALUMINUM ④
- ___ .050" ALUMINUM
- ___ .063" ALUMINUM
- ___ OTHER _____
- COLOR: _____
- FINISH: _____

QUANTITIES:

_____ LINEAL FEET 12'-0" LENGTHS

ACCESSORIES:

- ___ OUTSIDE MITERS @ 90° ⑥
- ___ INSIDE MITERS @ 90° ⑥
- ___ RIGHT ENDCAPS
- ___ LEFT ENDCAPS
- SPECIFY ACCESSORY TYPE:
- WELDED ⑤
- QUICKLOCK

ENDWALL FLASHING (SPLICE PLATE VERSION)

RIGHT HAND _____ LEFT HAND _____

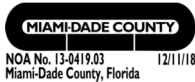
ENDWALL FLASHING (COPING VERSION)

RIGHT HAND _____ LEFT HAND _____

AUTHORIZED SIGNATURE:

APPROVED BY: _____

DATE: _____



ANSI/SPRI ES-1 TESTED

PROJECT:

ARCHITECT:

ROOFING CONTRACTOR:

REPRESENTATIVE/DISTRIBUTOR:

PHONE: 800-323-1960 FAX: 800-722-7150
WWW.PAC-CLAD.COM
E-MAIL: INFO@PAC-CLAD.COM

DATE: 03/06/14

DRN BY: JJC

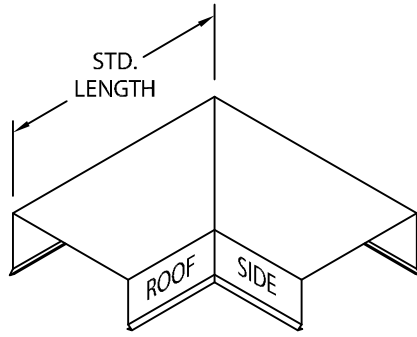
CKD BY: SAK

SHT.# ___ OF ___

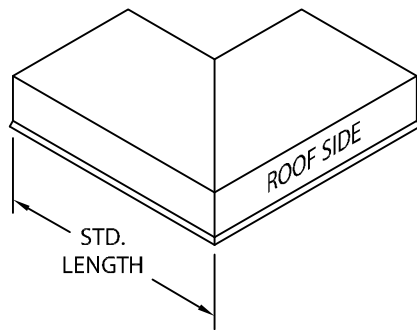
DWG# 41011-19331

A

PAC-TITE COPING



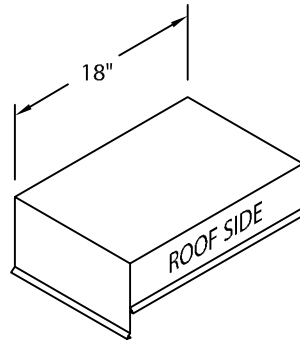
OUTSIDE MITER



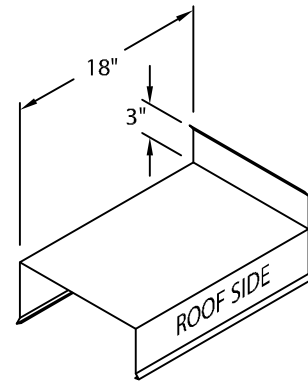
INSIDE MITER

MITER STANDARD LEG LENGTH:
WALL SIZE + $9\frac{5}{8}$ " = LENGTH

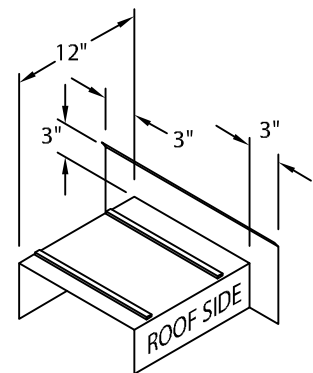
PAC-TITE COPING STANDARD ACCESSORIES



ENDCAP
(LEFT HAND SHOWN)



ENDWALL FLASHING
COPING VERSION
(RIGHT HAND SHOWN)



ENDWALL FLASHING
SPLICE PLATE VERSION
(RIGHT HAND SHOWN)
(AVAILABLE ONLY IN
.040" WELDED, PAINTED
TO MATCH COPING)

ADDITIONAL ACCESSORIES ARE AVAILABLE ON WEBSITE:

- TRANSITION MITERS
- STRAIGHT TRANSITION MITERS
- "T" MITERS
- "Z" MITERS
- STEP-UP MITERS
- PEAK / VALLEY MITERS
- PILASTER CAPS
- RADIUS COPING
- ARCHED COPING

(FOR ADDITIONAL ACCESSORY REQUIREMENTS, ATTACH SKETCHES OR CALL MANUFACTURER FOR ASSISTANCE).

ANCHOR CLIP SPACING:

- 24 GA. / .040", 16" WALL SIZE OR LESS, ANCHOR CLIPS ARE 48" O.C.
- 24 GA. / .040", OVER 16" WALL SIZE, ANCHOR CLIPS ARE 36" O.C.
- 22 GA. / .050" / .063", $26\frac{1}{2}$ " WALL SIZE OR LESS, ANCHOR CLIPS ARE 48" O.C.
- 22 GA. / .050" / .063", OVER $26\frac{1}{2}$ " WALL SIZE, ANCHOR CLIPS ARE 36" O.C.
- FLORIDA JOBS HAVE ANCHOR CLIPS 36" O.C. FOR ALL WALL SIZES.

ANCHOR CLIP MATERIAL IS 20 GA. GALV. FOR ALL WALL SIZES UP TO $26\frac{1}{2}$ ".
16 GA. GALV. FOR ALL WALL SIZES GREATER THAN $26\frac{1}{2}$ "