

NOTES / LEGEND

ALL FASTENERS DRILLED THROUGH ALUMINUM MUST BE STAINLESS STEEL.

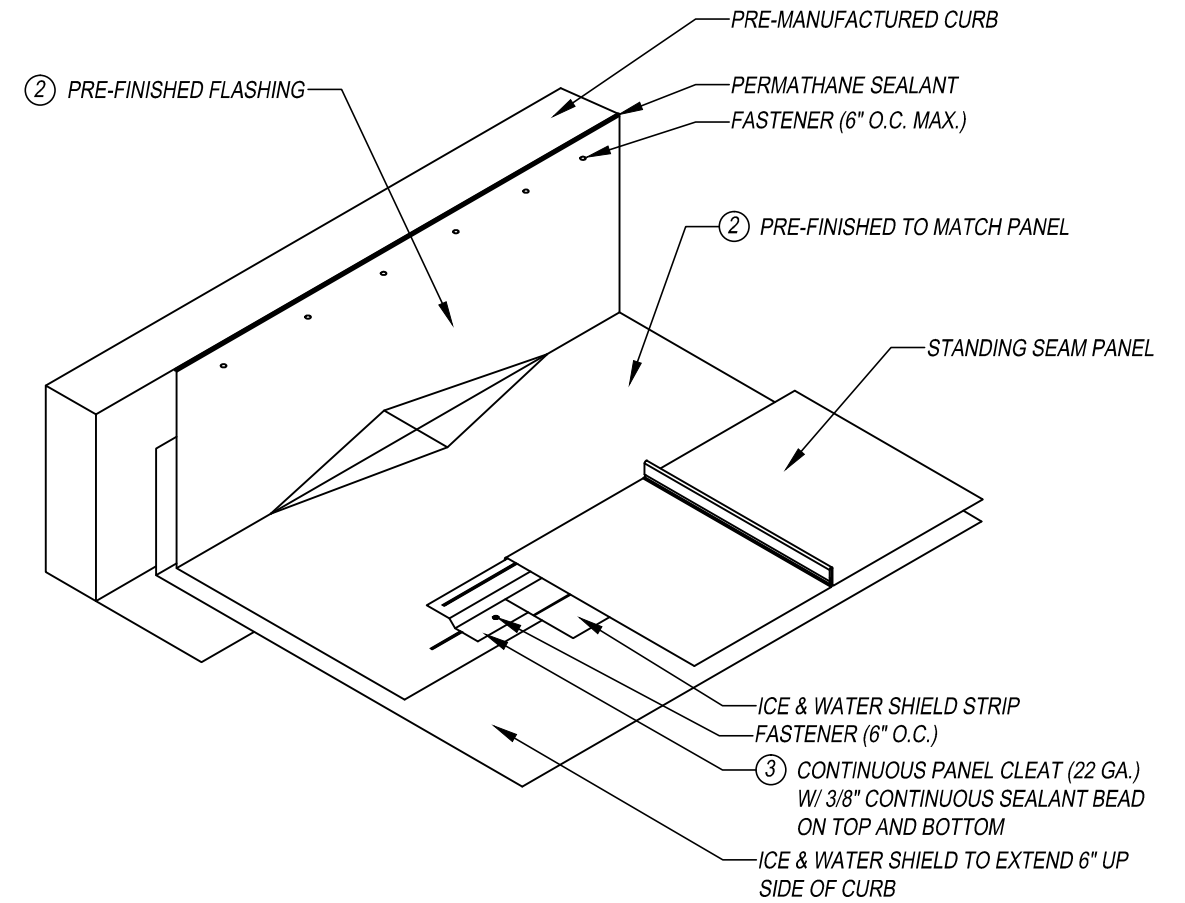
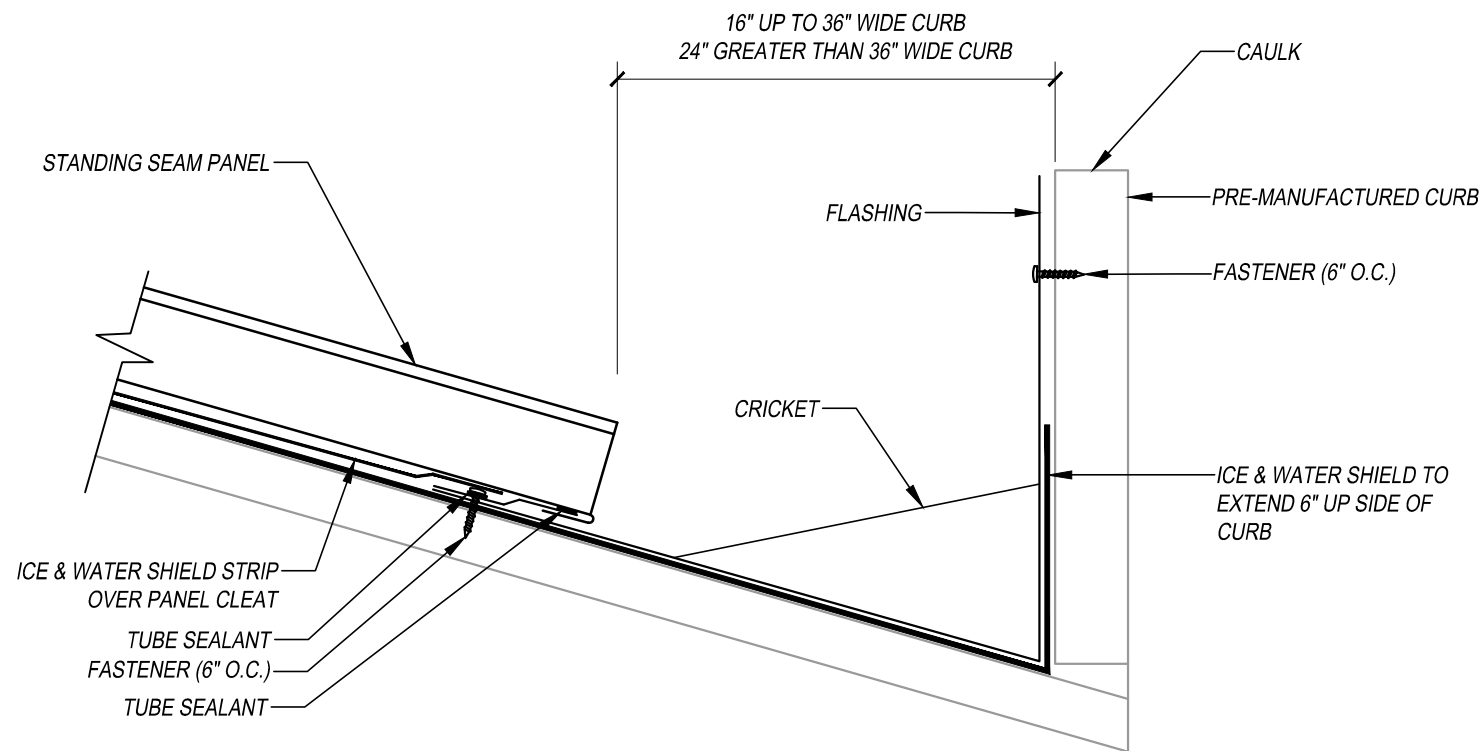
① 4 FASTENERS PER PANEL IF PANEL WIDTH < 18"
6 FASTENERS PER PANEL IF PANEL WIDTH = 18"

② FLASHING MATERIAL TO MATCH ROOF PANEL MATERIAL.

③ MUST BE STAINLESS STEEL IF ROOF PANEL IS ALUMINUM.

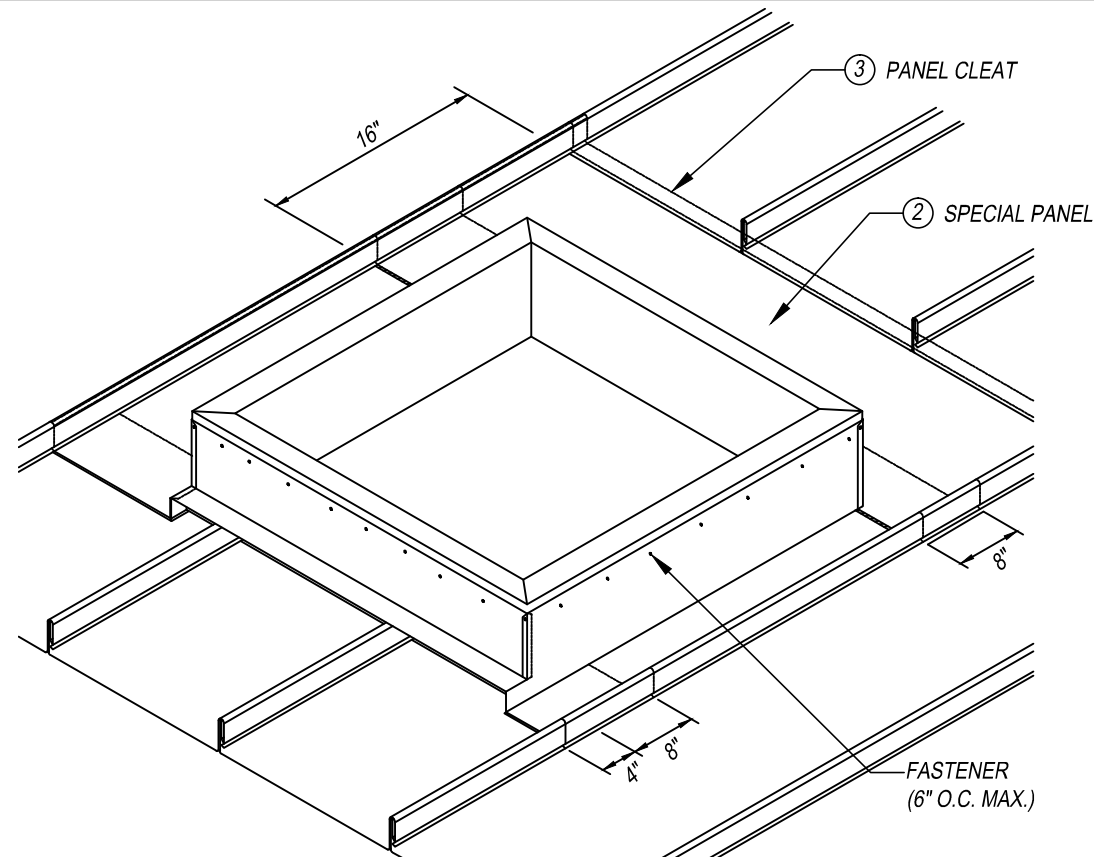
④ CONSULT WITH FACTORY FOR JOB SPECIFIC REQUIREMENTS





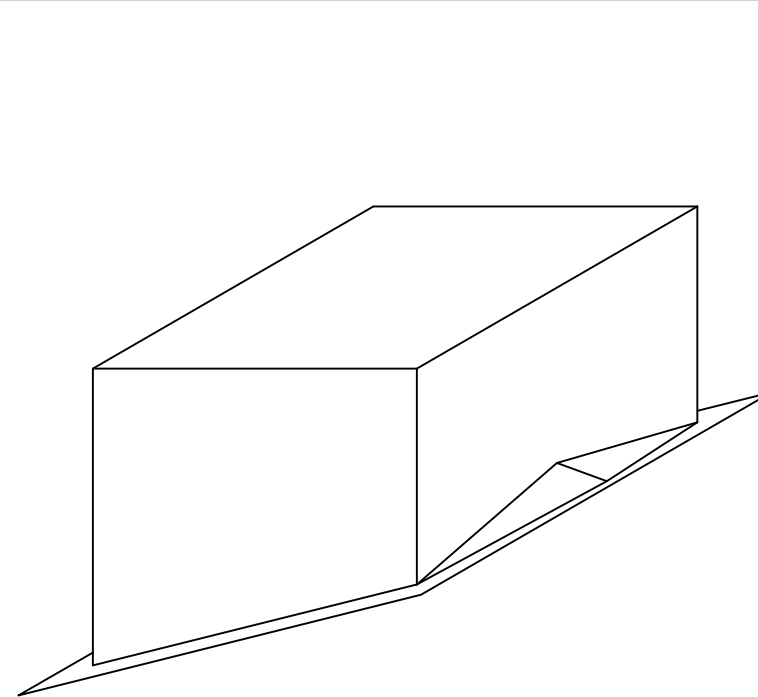
01 ROOF CURB DETAILS (HIGH SIDE)

N.T.S. REF: NA



02 ROOF CURB (ISOMETRIC VIEW)

N.T.S. REF: NA



03 ROOF CURB (FLASHING)

N.T.S. REF: NA

NOTES / LEGEND

ALL FASTENERS DRILLED THROUGH ALUMINUM MUST BE STAINLESS STEEL.

- ① 4 FASTENERS PER PANEL IF PANEL WIDTH < 18"
6 FASTENERS PER PANEL IF PANEL WIDTH = 18"
- ② FLASHING MATERIAL TO MATCH ROOF PANEL MATERIAL.
- ③ MUST BE STAINLESS STEEL IF ROOF PANEL IS ALUMINUM.
- ④ CONSULT WITH FACTORY FOR JOB SPECIFIC REQUIREMENTS

