

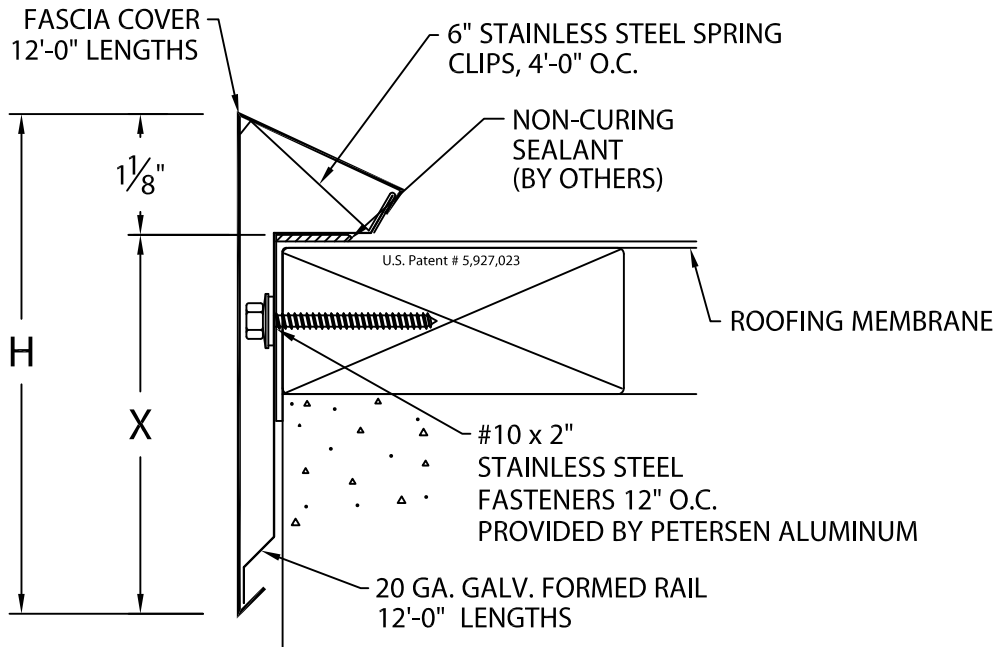


# PAC SNAP EDGE

FULLY ADHERED OR MECHANICALLY ATTACHED SINGLE-PLY VERSION

ANSI/SPRI ES-1 DESIGN PRESSURE OF 155 psf

24 GA. AND .040" MATERIAL



Fascia is to be installed per Specifications and Petersen Aluminum's Installation Instructions Dwg. # 41110-12242

FASCIA COVER PROVIDED WITH 1" LAP JOINTS

## PAC SNAP EDGE DIMENSIONS

PRODUCT ID. NO.	H DIM	X DIM	NAILER COVERAGE
<input type="checkbox"/> ME-40	4"	2 7/8"	1 NAILER
<input type="checkbox"/> ME-50	5"	3 7/8"	2 NAILERS
<input type="checkbox"/> ME-65	6 1/2"	5 3/8"	3 NAILERS
<input type="checkbox"/> ME-80	8"	6 7/8"	4 NAILERS

## MATERIAL:

\_\_\_ 24 Ga. Galv. Steel

\_\_\_ .040" Aluminum

\_\_\_ OTHER \_\_\_\_\_

Color: \_\_\_\_\_ Finish: \_\_\_\_\_

Fabrication will proceed only after receipt of signed print approval.

## Print Approval:

Architect and/or contractor shall verify all dimensions, sizes and quantities. All products to be installed in strict accordance with Petersen Aluminum's printed instructions.

Approved by: \_\_\_\_\_

Date: \_\_\_\_\_

## QUANTITIES:

\_\_\_\_\_ Lineal Feet 12'-0" Lengths

\_\_\_\_\_ Outside Miter(s) @ 90° (Cover Only)

\_\_\_\_\_ Inside Miter(s) @ 90° (Cover Only)

\_\_\_\_\_ Overflow Scupper Style \_\_\_A\_\_\_B

\_\_\_\_\_ Spillout Scupper Style \_\_\_A\_\_\_B

\_\_\_\_\_ Downspout Scupper Style \_\_\_A\_\_\_B

( \_\_\_X\_\_\_ ) Size A: Tapered 1 1/2" Drop  
B: Flat

FOR NON-90 MITERS SEE PRINT APPROVAL #41010-12108

PROJECT:

ARCHITECT:

ROOFING CONTRACTOR:

REPRESENTATIVE/DISTRIBUTOR:



Phone: 800-323-1960 Fax: 800-722-7150  
www.pac-clad.com  
e-mail: info@pac-clad.com

DATE: 04/03/17

DRN BY: JAB

CKD BY: SAK

SHT.# \_\_\_ OF \_\_\_

DWG# 41010-12241

F