

# SCUPPERS AND COLLECTOR BOXES

Check out the variety of custom-designed Scuppers and Collector Boxes that meet the performance requirements of architects and contractors. Their unique design provides maximum security and performance to protect against leaks and is a decorative and functional means of water control.

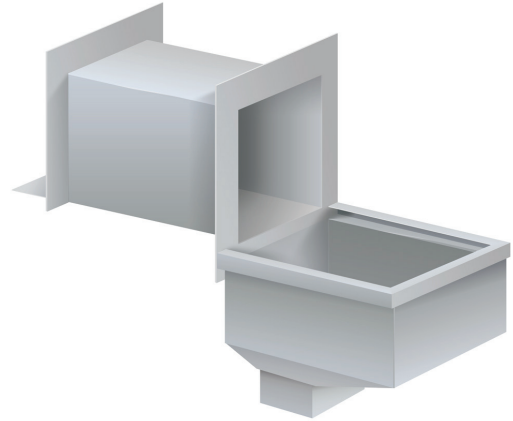
## CUSTOM CAPABILITIES

Specially fabricated products are available to meet the unique needs of each project.

## COLORS

Choose among a wide range of standard colors and finishes that meet your job requirements. A 30-Year Kynar 500® Finish Warranty is included on coil-coated standard colors. Custom post-coated Kynar 500® colors are available (on aluminum substrate only) with an included 10-Year Kynar 500® Finish Warranty or a 20-Year Kynar 500® Finish Warranty is available upon request.

Anodized finishes are also available. Please email Technical Services regarding pricing for Anodized finishes.



### MATERIAL

Non-welded scuppers and collector boxes

- ▶ 24 ga. steel
- ▶ .040" aluminum
- ▶ .050" aluminum

Welded scuppers and collector boxes

- ▶ .063" aluminum