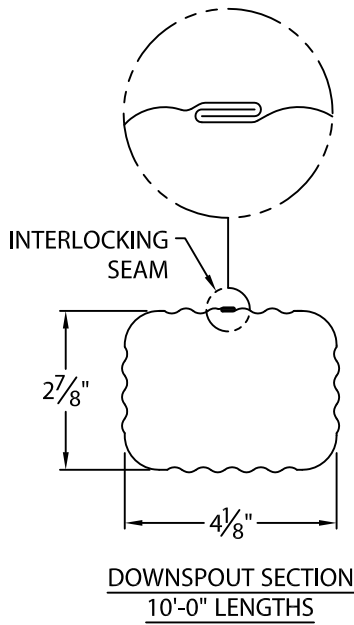
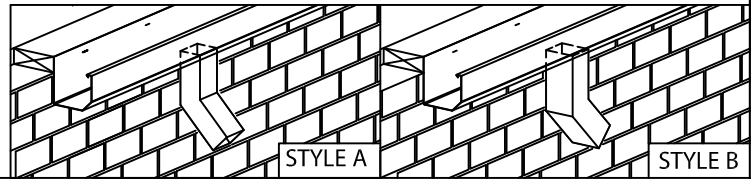
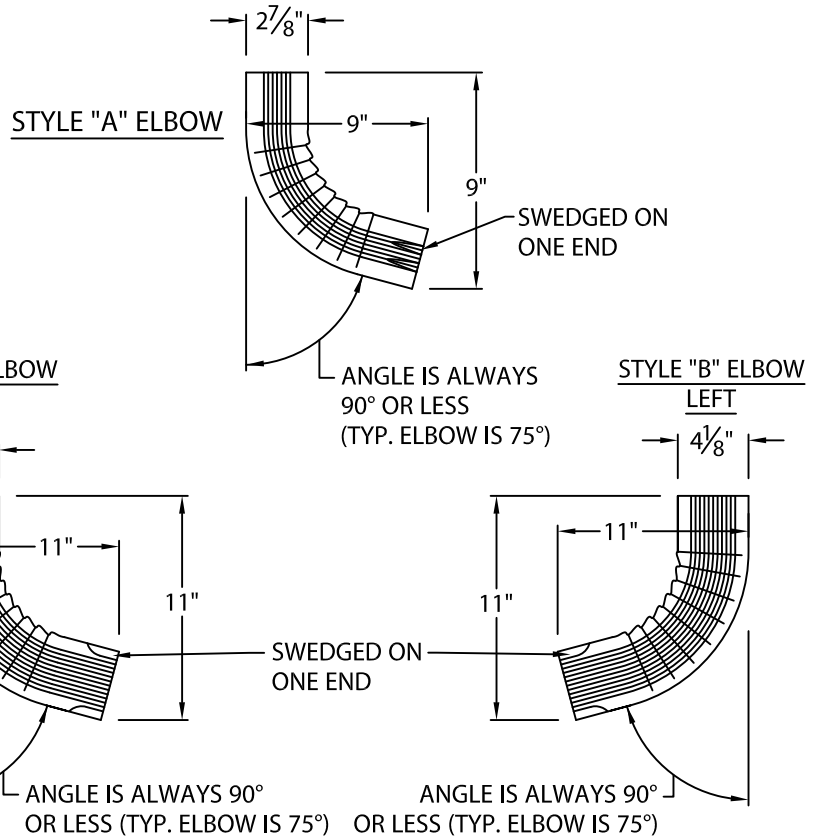
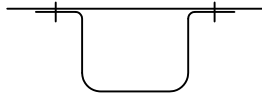


PAC-TITE LT CORRUGATED DOWNSPOUT & ELBOWS

3" x 4" DOWNSPOUT



2 1/4" WIDE DOWNSPOUT STRAPS
(2 PER 10'-0" LENGTH)



Fabrication will proceed only after receipt of signed print approval.

Print Approval:

Architect and/or contractor shall verify all dimensions, sizes and quantities. All products to be installed in strict accordance with Petersen Aluminum's printed instructions.

Approved by: _____

Date: _____

MATERIAL:

___ 24 GA. GALV. STEEL OTHER _____
___ .032" ALUMINUM

COLOR: _____ FINISH: _____

QUANTITIES:

___ LINEAL FEET 10'-0" LENGTHS
___ PIECES @ _____ LENGTHS
___ OUTLETS
___ STYLE A ELBOWS (___°)
___ STYLE B RIGHT ELBOWS (___°)
___ STYLE B LEFT ELBOWS (___°)

PROJECT:

ARCHITECT:

ROOFING CONTRACTOR:

REPRESENTATIVE/DISTRIBUTOR:



Phone: 800-323-1960 Fax: 800-722-7150
www.pac-clad.com
e-mail: info@pac-clad.com

DATE: 03/18/21
DRN BY: ZS
CKD BY: MM

SHT.# ___ OF ___
DWG# 41013-35938

A